



Chipsmall Limited consists of a professional team with an average of over 10 year of expertise in the distribution of electronic components. Based in Hongkong, we have already established firm and mutual-benefit business relationships with customers from,Europe,America and south Asia,supplying obsolete and hard-to-find components to meet their specific needs.

With the principle of “Quality Parts,Customers Priority,Honest Operation,and Considerate Service”,our business mainly focus on the distribution of electronic components. Line cards we deal with include Microchip,ALPS,ROHM,Xilinx,Pulse,ON,Everlight and Freescale. Main products comprise IC,Modules,Potentiometer,IC Socket,Relay,Connector.Our parts cover such applications as commercial,industrial, and automotives areas.

We are looking forward to setting up business relationship with you and hope to provide you with the best service and solution. Let us make a better world for our industry!



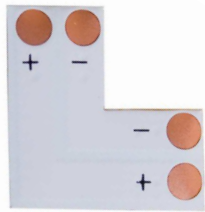
Contact us

Tel: +86-755-8981 8866 Fax: +86-755-8427 6832

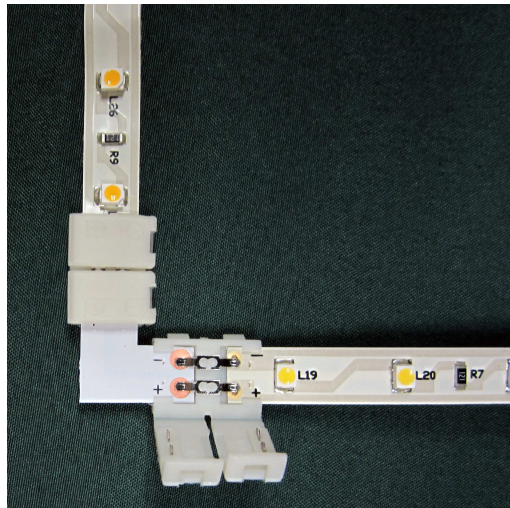
Email & Skype: info@chipsmall.com Web: www.chipsmall.com

Address: A1208, Overseas Decoration Building, #122 Zhenhua RD., Futian, Shenzhen, China

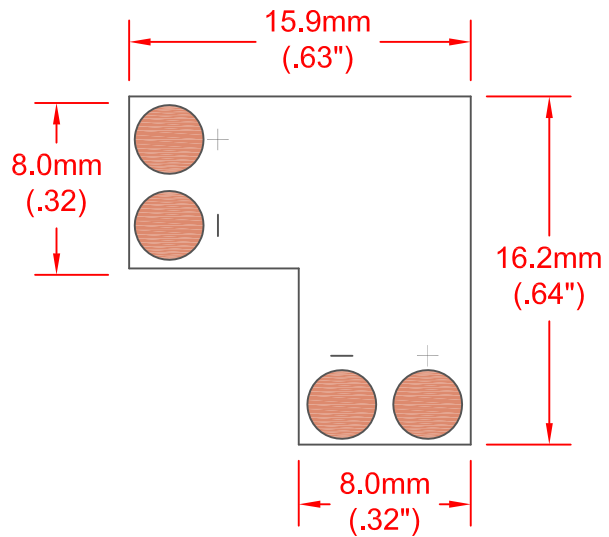




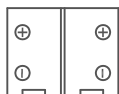
ZFS-CNL-8J



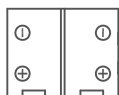
PRODUCT ASSEMBLED



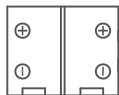
MATING COMPONENTS (Order Separately)



ZFS-CH0-8J
Connector



ZFS-CH138-8J
Jumper Connector



ZFS-CH140-8I
Input Connector

PLEASE REFER TO JKL APPLICATION SHEET: JKL-AS-ZFS-LED FLEX SOLDERLESS CONNECTORS

NOTES:

1. LIMIT CURRENT TO A MAXIMUM OF 5 AMPS.
2. DIMENSIONS ARE REFERENCE ONLY.

JKL PART NO.: ZFS-CNL-8J

			METRIC THIRD ANGLE PROJECTION		DIMENSIONS ARE IN mm (INCHES) TOLERANCE UNLESS OTHERWISE SPECIFIED 1 PL +/- REF. 2 PL +/- REF. ANGLE +/-		JKL COMPONENTS CORPORATION				
			DRAWN BY L. WENGSTROM		APPV'D BY L.R.		DATE 2/5/14		TITLE SOLDERLESS 8mm FLEX TAPE "L" SHAPE JOINER CONNECTOR		
RELEASED			2/5/14		SIZE A		FSCM NO. 55335		DRAWING NO. ZFS-CNL-8J		
REV. NO.	DESCRIPTION/ECO NUMBER	APPV'D DATE	- CAD DRAWING - MANUAL REVISIONS NOT PERMITTED				SCALE NONE	RELEASED DATE 2/5/14	REVISION DATE	REV. NO.	SHEET 1 OF 1