

Chipsmall Limited consists of a professional team with an average of over 10 year of expertise in the distribution of electronic components. Based in Hongkong, we have already established firm and mutual-benefit business relationships with customers from,Europe,America and south Asia,supplying obsolete and hard-to-find components to meet their specific needs.

With the principle of “Quality Parts,Customers Priority,Honest Operation,and Considerate Service”,our business mainly focus on the distribution of electronic components. Line cards we deal with include Microchip,ALPS,ROHM,Xilinx,Pulse,ON,Everlight and Freescale. Main products comprise IC,Modules,Potentiometer,IC Socket,Relay,Connector.Our parts cover such applications as commercial,industrial, and automotives areas.

We are looking forward to setting up business relationship with you and hope to provide you with the best service and solution. Let us make a better world for our industry!



Contact us

Tel: +86-755-8981 8866 Fax: +86-755-8427 6832

Email & Skype: info@chipsmall.com Web: www.chipsmall.com

Address: A1208, Overseas Decoration Building, #122 Zhenhua RD., Futian, Shenzhen, China



Z8 GP™ Microcontrollers

ZGP323H OTP MCU Family

Product Specification

PS023803-0305



This publication is subject to replacement by a later edition. To determine whether a later edition exists, or to request copies of publications, contact:

ZiLOG Worldwide Headquarters

532 Race Street
San Jose, CA 95126-3432
Telephone: 408.558.8500
Fax: 408.558.8300
www.zilog.com

ZiLOG is a registered trademark of ZiLOG Inc. in the United States and in other countries. All other products and/or service names mentioned herein may be trademarks of the companies with which they are associated.

Document Disclaimer

©2005 by ZiLOG, Inc. All rights reserved. Information in this publication concerning the devices, applications, or technology described is intended to suggest possible uses and may be superseded. ZILOG, INC. DOES NOT ASSUME LIABILITY FOR OR PROVIDE A REPRESENTATION OF ACCURACY OF THE INFORMATION, DEVICES, OR TECHNOLOGY DESCRIBED IN THIS DOCUMENT. ZILOG ALSO DOES NOT ASSUME LIABILITY FOR INTELLECTUAL PROPERTY INFRINGEMENT RELATED IN ANY MANNER TO USE OF INFORMATION, DEVICES, OR TECHNOLOGY DESCRIBED HEREIN OR OTHERWISE. Devices sold by ZiLOG, Inc. are covered by warranty and limitation of liability provisions appearing in the ZiLOG, Inc. Terms and Conditions of Sale. ZiLOG, Inc. makes no warranty of merchantability or fitness for any purpose. Except with the express written approval of ZiLOG, use of information, devices, or technology as critical components of life support systems is not authorized. No licenses are conveyed, implicitly or otherwise, by this document under any intellectual property rights.



Revision History

Each instance in Table 1 reflects a change to this document from its previous revision. To see more detail, click the appropriate link in the table.

Table 1. Revision History of this Document

Date	Revision Level	Section	Description	Page #
December 2004	02		Changed low power consumption, STOP and HALT mode current values, deleted mask option note, clarified temperature ranges in Tables 6 and 8 and 10. Added new Tables 9 and 10. Also added Characterization data to Table 11 and changed Program/Erase Endurance value in Table 12.	1,2,10 11,12, 13,14, 15
			Removed Preliminary designation	All
March 2005	03		Minor change to Table 9 Electrical Characteristics. Added 20, 28 and 40-pin CDIP parts in the Ordering Section.	11,90



Table of Contents

Revision History	iii
Development Features	1
General Description	2
Pin Description	4
Absolute Maximum Ratings	10
Standard Test Conditions	10
DC Characteristics	11
AC Characteristics	16
Pin Functions	18
XTAL1 Crystal 1 (Time-Based Input)	18
XTAL2 Crystal 2 (Time-Based Output)	18
Port 0 (P07–P00)	18
Port 1 (P17–P10)	19
Port 2 (P27–P20)	20
Port 3 (P37–P30)	21
RESET (Input, Active Low)	25
Functional Description	25
Program Memory	25
RAM	25
Expanded Register File	26
Register File	30
Stack	31
Timers	32
Counter/Timer Functional Blocks	40
Expanded Register File Control Registers (0D)	66
Expanded Register File Control Registers (0F)	71
Standard Control Registers	75
Package Information	81
Ordering Information	90



List of Figures

Figure 1.	Functional Block Diagram	3
Figure 2.	Counter/Timers Diagram	4
Figure 3.	20-Pin PDIP/SOIC/SSOP/CDIP* Pin Configuration	5
Figure 4.	28-Pin PDIP/SOIC/SSOP/CDIP* Pin Configuration	6
Figure 5.	40-Pin PDIP/CDIP* Pin Configuration	7
Figure 6.	48-Pin SSOP Pin Configuration	8
Figure 7.	Test Load Diagram	10
Figure 8.	AC Timing Diagram	16
Figure 9.	Port 0 Configuration	19
Figure 10.	Port 1 Configuration	20
Figure 11.	Port 2 Configuration	21
Figure 12.	Port 3 Configuration	22
Figure 13.	Port 3 Counter/Timer Output Configuration	24
Figure 14.	Program Memory Map (32K OTP)	26
Figure 15.	Expanded Register File Architecture	28
Figure 16.	Register Pointer	29
Figure 17.	Register Pointer—Detail	31
Figure 18.	Glitch Filter Circuitry	40
Figure 19.	Transmit Mode Flowchart	41
Figure 20.	8-Bit Counter/Timer Circuits	42
Figure 21.	T8_OUT in Single-Pass Mode	43
Figure 22.	T8_OUT in Modulo-N Mode	43
Figure 23.	Demodulation Mode Count Capture Flowchart	44
Figure 24.	Demodulation Mode Flowchart	45
Figure 25.	16-Bit Counter/Timer Circuits	46
Figure 26.	T16_OUT in Single-Pass Mode	47
Figure 27.	T16_OUT in Modulo-N Mode	47
Figure 28.	Ping-Pong Mode Diagram	49
Figure 29.	Output Circuit	49
Figure 30.	Interrupt Block Diagram	51
Figure 31.	Oscillator Configuration	53
Figure 32.	Port Configuration Register (PCON) (Write Only)	55
Figure 33.	STOP Mode Recovery Register	57



Figure 34. SCLK Circuit	58
Figure 35. Stop Mode Recovery Source	59
Figure 36. Stop Mode Recovery Register 2 ((0F)DH:D2–D4, D6 Write Only)	61
Figure 37. Watch-Dog Timer Mode Register (Write Only)	62
Figure 38. Resets and WDT	63
Figure 39. TC8 Control Register ((0D)00H: Read/Write Except Where Noted)	66
Figure 40. T8 and T16 Common Control Functions ((0D)01H: Read/Write)	67
Figure 41. T16 Control Register ((0D) 2H: Read/Write Except Where Noted)	69
Figure 42. T8/T16 Control Register (0D)03H: Read/Write (Except Where Noted)	70
Figure 43. Voltage Detection Register	71
Figure 44. Port Configuration Register (PCON)(0F)00H: Write Only	72
Figure 45. Stop Mode Recovery Register ((0F)0BH: D6–D0=Write Only, D7=Read Only)	73
Figure 46. Stop Mode Recovery Register 2 ((0F)0DH:D2–D4, D6 Write Only)	74
Figure 47. Watch-Dog Timer Register ((0F) 0FH: Write Only)	75
Figure 48. Port 2 Mode Register (F6H: Write Only)	75
Figure 49. Port 3 Mode Register (F7H: Write Only)	76
Figure 50. Port 0 and 1 Mode Register (F8H: Write Only)	77
Figure 51. Interrupt Priority Register (F9H: Write Only)	78
Figure 52. Interrupt Request Register (FAH: Read/Write)	79
Figure 53. Interrupt Mask Register (FBH: Read/Write)	79
Figure 54. Flag Register (FCH: Read/Write)	80
Figure 55. Register Pointer (FDH: Read/Write)	80
Figure 56. Stack Pointer High (FEH: Read/Write)	81
Figure 57. Stack Pointer Low (FFH: Read/Write)	81
Figure 58. 20-Pin CDIP Package	82
Figure 59. 20-Pin PDIP Package Diagram	82
Figure 60. 20-Pin SOIC Package Diagram	83
Figure 61. 20-Pin SSOP Package Diagram	84
Figure 62. 28-Pin SOIC Package Diagram	85
Figure 63. 28-Pin CDIP Package Diagram	86
Figure 64. 28-Pin PDIP Package Diagram	86
Figure 65. 28-Pin SSOP Package Diagram	87
Figure 66. 40-Pin PDIP Package Diagram	87
Figure 67. 40-Pin CDIP Package Diagram	88



Figure 68. 48-Pin SSOP Package Design 89



List of Tables

Table 1.	Revision History of this Document	iii
Table 2.	Features	1
Table 3.	Power Connections	3
Table 4.	20-Pin PDIP/SOIC/SSOP/CDIP* Pin Identification	5
Table 5.	28-Pin PDIP/SOIC/SSOP/CDIP* Pin Identification	6
Table 6.	40- and 48-Pin Configuration	8
Table 7.	Absolute Maximum Ratings	10
Table 8.	Capacitance	11
Table 9.	GP323HS DC Characteristics	11
Table 10.	GP323HE DC Characteristics	12
Table 11.	GP323HA DC Characteristics	14
Table 12.	EPROM/OTP Characteristics	15
Table 13.	AC Characteristics	17
Table 14.	Port 3 Pin Function Summary.	23
Table 15.	CTR1(0D)01H T8 and T16 Common Functions.	35
Table 16.	Interrupt Types, Sources, and Vectors	52
Table 17.	IRQ Register.	52
Table 18.	SMR2(F)0DH:Stop Mode Recovery Register 2*	58
Table 19.	Stop Mode Recovery Source	60
Table 20.	Watch-Dog Timer Time Select	63
Table 21.	EPROM Selectable Options	64



Development Features

Table 2 lists the features of ZiLOG[®]'s ZGP323H members.

Table 2. Features

Device	OTP (KB)	RAM (Bytes)	I/O Lines	Voltage Range
ZGP323H OTP MCU Family	4, 8, 16, 32	237	32, 24 or 16	2.0V–5.5V

- Low power consumption—18mW (typical)
- T = Temperature
S = Standard 0° to +70°C
E = Extended -40° to +105°C
A = Automotive -40° to +125°C
- Three standby modes:
 - STOP— (typical 1.8µA)
 - HALT— (typical 0.8mA)
 - Low voltage reset
- Special architecture to automate both generation and reception of complex pulses or signals:
 - One programmable 8-bit counter/timer with two capture registers and two load registers
 - One programmable 16-bit counter/timer with one 16-bit capture register pair and one 16-bit load register pair
 - Programmable input glitch filter for pulse reception
- Six priority interrupts
 - Three external
 - Two assigned to counter/timers
 - One low-voltage detection interrupt
- Low voltage detection and high voltage detection flags
- Programmable Watch-Dog Timer/Power-On Reset (WDT/POR) circuits
- Two independent comparators with programmable interrupt polarity
- Programmable EPROM options
 - Port 0: 0–3 pull-up transistors
 - Port 0: 4–7 pull-up transistors

- Port 1: 0–3 pull-up transistors
- Port 1: 4–7 pull-up transistors
- Port 2: 0–7 pull-up transistors
- EPROM Protection
- WDT enabled at POR

General Description

The ZGP323H is an OTP-based member of the MCU family of infrared microcontrollers. With 237B of general-purpose RAM and up to 32KB of OTP, ZiLOG[®]'s CMOS microcontrollers offer fast-executing, efficient use of memory, sophisticated interrupts, input/output bit manipulation capabilities, automated pulse generation/reception, and internal key-scan pull-up transistors.

The ZGP323H architecture (Figure 1) is based on ZiLOG's 8-bit microcontroller core with an Expanded Register File allowing access to register-mapped peripherals, input/output (I/O) circuits, and powerful counter/timer circuitry. The Z8[®] offers a flexible I/O scheme, an efficient register and address space structure, and a number of ancillary features that are useful in many consumer, automotive, computer peripheral, and battery-operated hand-held applications.

There are three basic address spaces available to support a wide range of configurations: Program Memory, Register File and Expanded Register File. The register file is composed of 256 Bytes (B) of RAM. It includes 4 I/O port registers, 16 control and status registers, and 236 general-purpose registers. The Expanded Register File consists of two additional register groups (F and D).

To unburden the program from coping with such real-time problems as generating complex waveforms or receiving and demodulating complex waveform/pulses, the Z8 GP OTP offers a new intelligent counter/timer architecture with 8-bit and 16-bit counter/timers (see Figure 2). Also included are a large number of user-selectable modes and two on-board comparators to process analog signals with separate reference voltages.

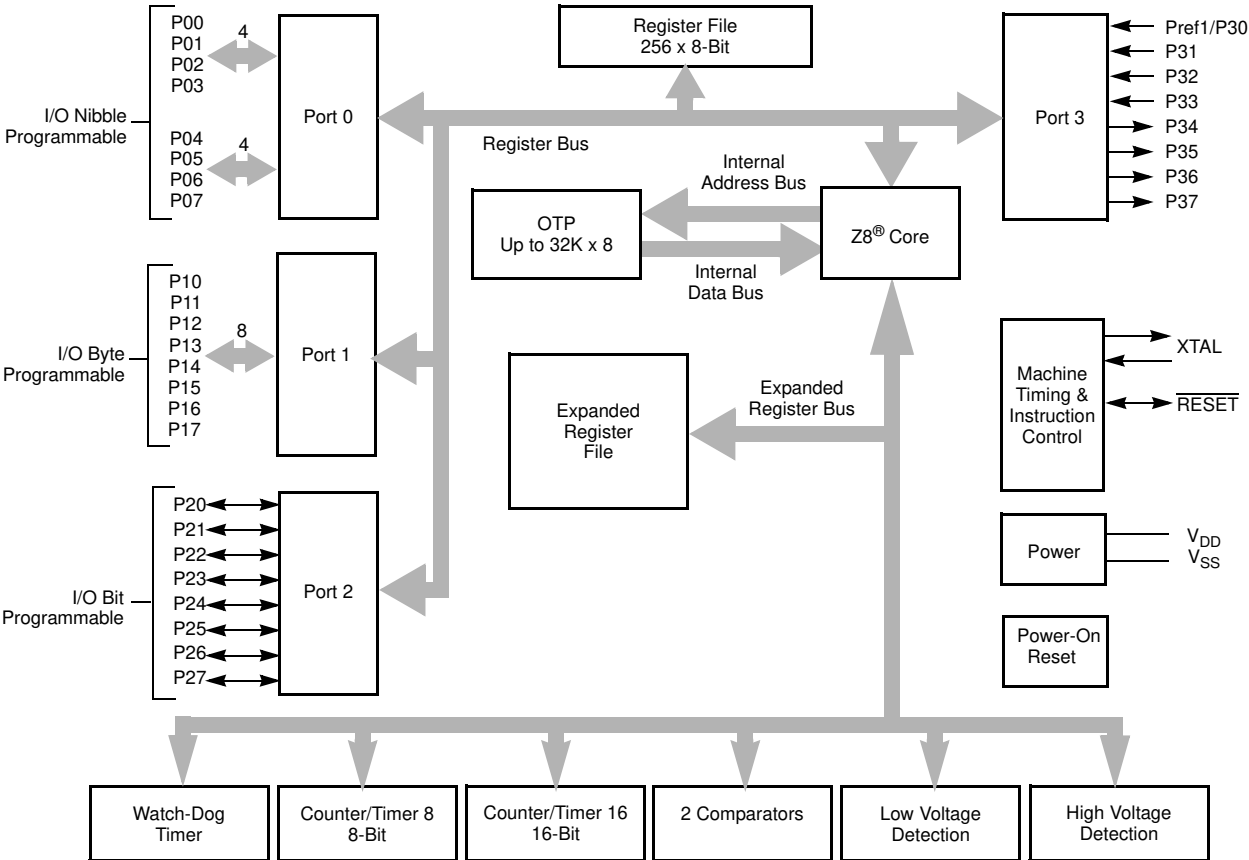
- **Note:** All signals with an overline, " $\overline{\quad}$ ", are active Low. For example, $\overline{B/W}$, in which WORD is active Low, and $\overline{B/W}$, in which BYTE is active Low.

Power connections use the conventional descriptions listed in Table 3.



Table 3. Power Connections

Connection	Circuit	Device
Power	V _{CC}	V _{DD}
Ground	GND	V _{SS}



Note: Refer to the specific package for available pins.

Figure 1. Functional Block Diagram

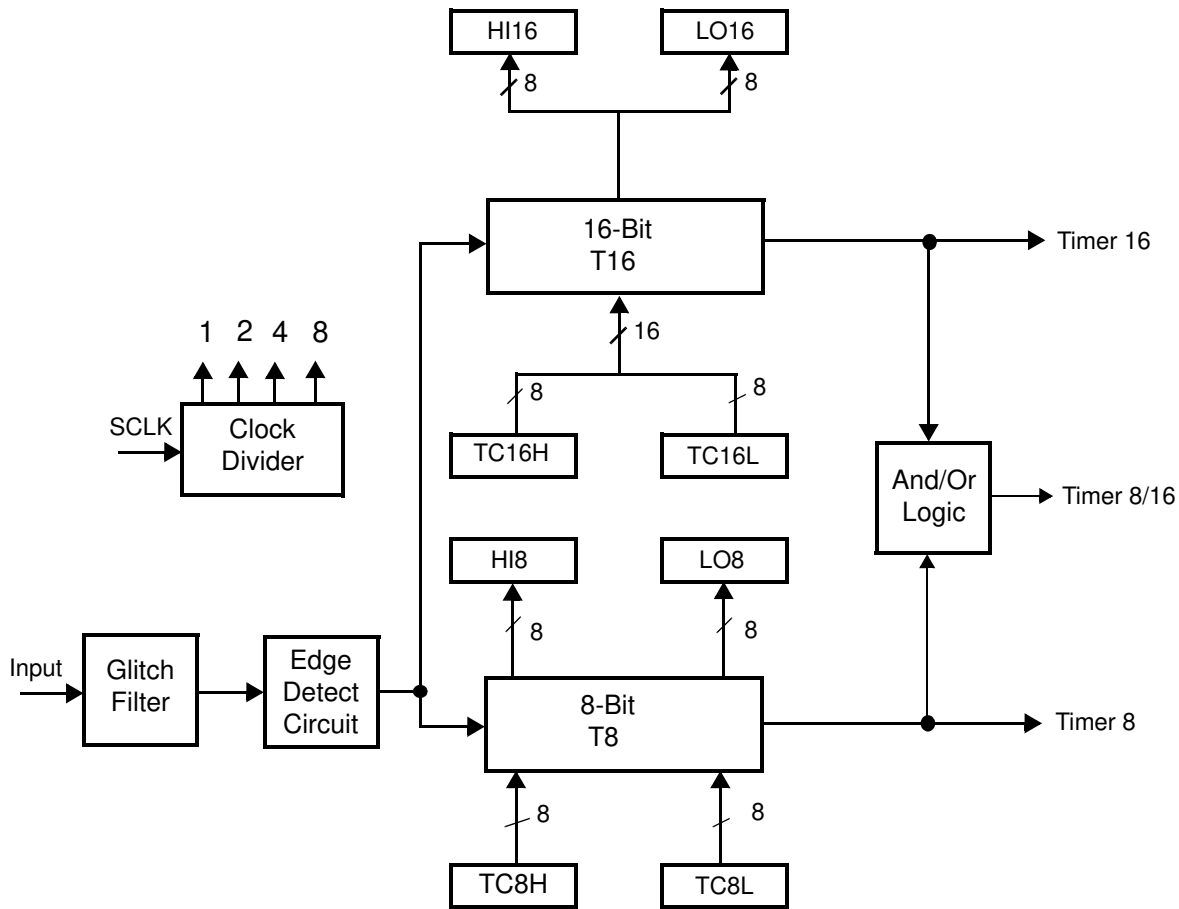


Figure 2. Counter/Timers Diagram

Pin Description

The pin configuration for the 20-pin PDIP/SOIC/SSOP is illustrated in Figure 3 and described in Table 4. The pin configuration for the 28-pin PDIP/SOIC/SSOP are depicted in Figure 4 and described in Table 5. The pin configurations for the 40-pin PDIP and 48-pin SSOP versions are illustrated in Figure 5, Figure 6, and described in Table 6.

For customer engineering code development, a UV erasable windowed cerdip packaging is offered in 20-pin, 28-pin, and 40-pin configurations. ZiLOG does not recommend nor guarantee these packages for use in production.

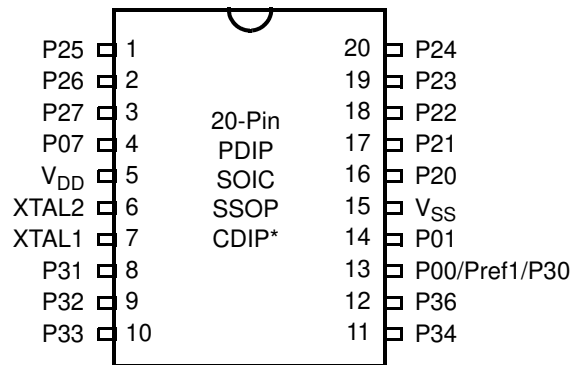


Figure 3. 20-Pin PDIP/SOIC/SSOP/CDIP* Pin Configuration

Table 4. 20-Pin PDIP/SOIC/SSOP/CDIP* Pin Identification

Pin #	Symbol	Function	Direction
1–3	P25–P27	Port 2, Bits 5,6,7	Input/Output
4	P07	Port 0, Bit 7	Input/Output
5	V_{DD}	Power Supply	
6	XTAL2	Crystal Oscillator Clock	Output
7	XTAL1	Crystal Oscillator Clock	Input
8–10	P31–P33	Port 3, Bits 1,2,3	Input
11,12	P34, P36	Port 3, Bits 4,6	Output
13	P00/Pref1/P30	Port 0, Bit 0/Analog reference input Port 3 Bit 0	Input/Output for P00 Input for Pref1/P30
14	P01	Port 0, Bit 1	Input/Output
15	V_{SS}	Ground	
16–20	P20–P24	Port 2, Bits 0,1,2,3,4	Input/Output

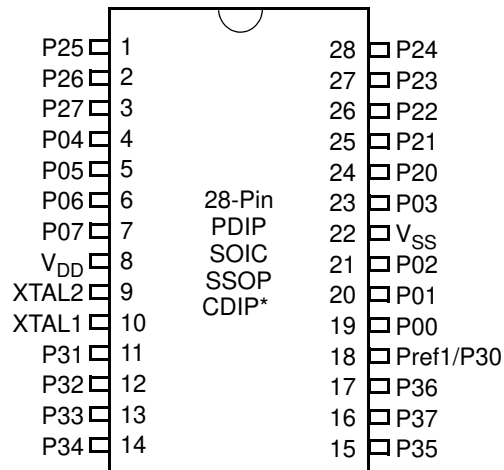


Figure 4. 28-Pin PDIP/SOIC/SSOP/CDIP* Pin Configuration

Table 5. 28-Pin PDIP/SOIC/SSOP/CDIP* Pin Identification

Pin	Symbol	Direction	Description
1-3	P25-P27	Input/Output	Port 2, Bits 5,6,7
4-7	P04-P07	Input/Output	Port 0, Bits 4,5,6,7
8	V _{DD}		Power supply
9	XTAL2	Output	Crystal, oscillator clock
10	XTAL1	Input	Crystal, oscillator clock
11-13	P31-P33	Input	Port 3, Bits 1,2,3
14	P34	Output	Port 3, Bit 4
15	P35	Output	Port 3, Bit 5
16	P37	Output	Port 3, Bit 7
17	P36	Output	Port 3, Bit 6
18	Pref1/P30 Port 3 Bit 0	Input	Analog ref input; connect to V _{CC} if not used Input for Pref1/P30
19-21	P00-P02	Input/Output	Port 0, Bits 0,1,2
22	V _{SS}		Ground
23	P03	Input/Output	Port 0, Bit 3
24-28	P20-P24	Input/Output	Port 2, Bits 0-4

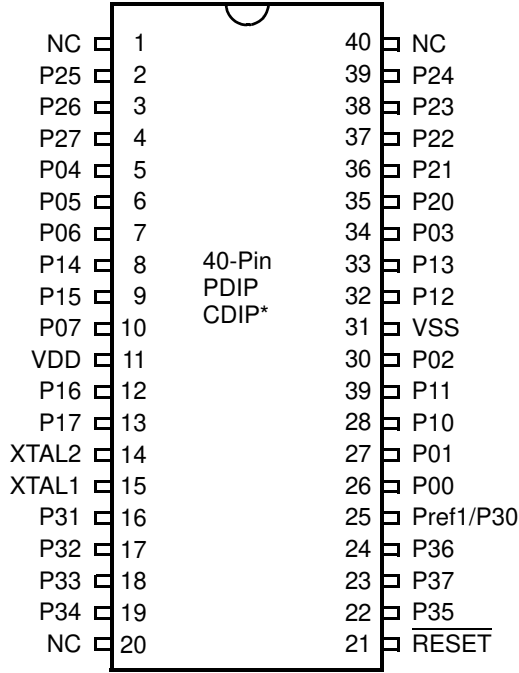


Figure 5. 40-Pin PDIP/CDIP* Pin Configuration

► **Note:** *Windowed Cerdip. These units are intended to be used for engineering code development only. ZiLOG does not recommend/guarantee this package for production use.

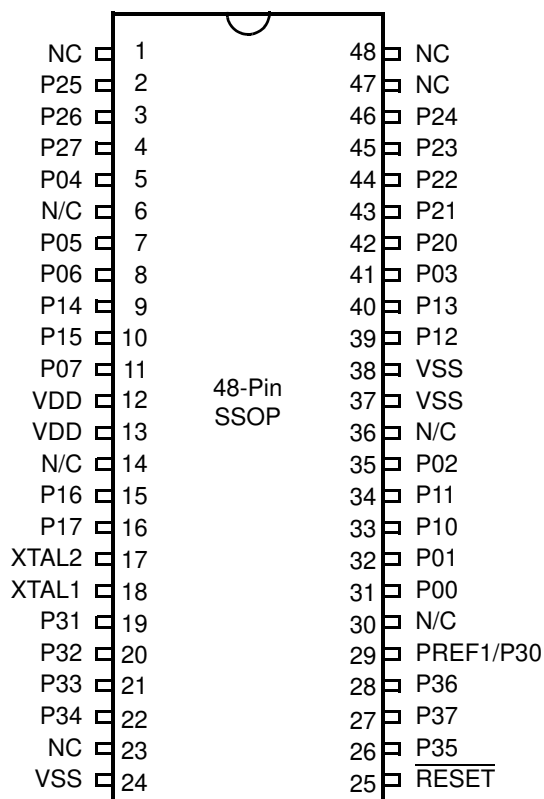


Figure 6. 48-Pin SSOP Pin Configuration

Table 6. 40- and 48-Pin Configuration

40-Pin PDIP #	48-Pin SSOP #	Symbol
26	31	P00
27	32	P01
30	35	P02
34	41	P03
5	5	P04
6	7	P05
7	8	P06
10	11	P07
28	33	P10
29	34	P11
32	39	P12



Table 6. 40- and 48-Pin Configuration (Continued)

40-Pin PDIP #	48-Pin SSOP #	Symbol
33	40	P13
8	9	P14
9	10	P15
12	15	P16
13	16	P17
35	42	P20
36	43	P21
37	44	P22
38	45	P23
39	46	P24
2	2	P25
3	3	P26
4	4	P27
16	19	P31
17	20	P32
18	21	P33
19	22	P34
22	26	P35
24	28	P36
23	27	P37
20	23	NC
40	47	NC
1	1	NC
21	25	RESET
15	18	XTAL1
14	17	XTAL2
11	12, 13	V _{DD}
31	24, 37, 38	V _{SS}
25	29	Pref1/P30
	48	NC
	6	NC
	14	NC
	30	NC
	36	NC

Absolute Maximum Ratings

Stresses greater than those listed in Table 8 might cause permanent damage to the device. This rating is a stress rating only. Functional operation of the device at any condition above those indicated in the operational sections of these specifications is not implied. Exposure to absolute maximum rating conditions for an extended period might affect device reliability.

Table 7. Absolute Maximum Ratings

Parameter	Minimum	Maximum	Units	Notes
Ambient temperature under bias	-40	125	° C	1
Storage temperature	-65	+150	° C	
Voltage on any pin with respect to V_{SS}	-0.3	7.0	V	2
Voltage on V_{DD} pin with respect to V_{SS}	-0.3	7.0	V	
Maximum current on input and/or inactive output pin	-5	+5	μ A	
Maximum output current from active output pin	-25	+25	mA	
Maximum current into V_{DD} or out of V_{SS}		75	mA	

Notes:

1. See Ordering Information.
2. This voltage applies to all pins except the following: V_{DD} , P32, P33 and RESET.

Standard Test Conditions

The characteristics listed in this product specification apply for standard test conditions as noted. All voltages are referenced to GND. Positive current flows into the referenced pin (see Figure 7).

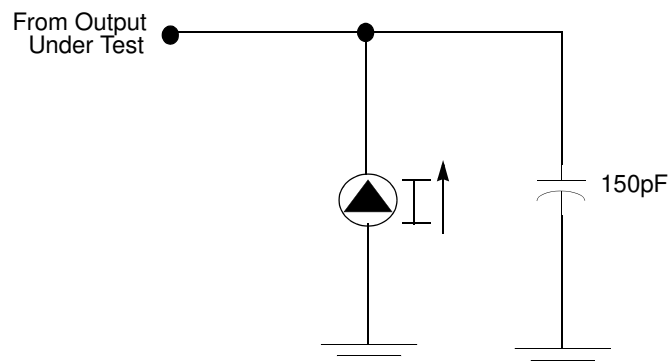


Figure 7. Test Load Diagram

Capacitance

Table 8 lists the capacitances.

Table 8. Capacitance

Parameter	Maximum
Input capacitance	12pF
Output capacitance	12pF
I/O capacitance	12pF

Note: $T_A = 25^\circ\text{C}$, $V_{CC} = \text{GND} = 0\text{V}$, $f = 1.0\text{MHz}$, unmeasured pins returned to GND

DC Characteristics

Table 9. GP323HS DC Characteristics

Symbol	Parameter	V_{CC}	$T_A = 0^\circ\text{C to } +70^\circ\text{C}$			Units	Conditions	Notes
			Min	Typ(7)	Max			
V_{CC}	Supply Voltage		2.0		5.5	V	See Note 5	5
V_{CH}	Clock Input High Voltage	2.0-5.5	$0.8 V_{CC}$		$V_{CC}+0.3$	V	Driven by External Clock Generator	
V_{CL}	Clock Input Low Voltage	2.0-5.5	$V_{SS}-0.3$		0.4	V	Driven by External Clock Generator	
V_{IH}	Input High Voltage	2.0-5.5	$0.7 V_{CC}$		$V_{CC}+0.3$	V		
V_{IL}	Input Low Voltage	2.0-5.5	$V_{SS}-0.3$		$0.2 V_{CC}$	V		
V_{OH1}	Output High Voltage	2.0-5.5	$V_{CC}-0.4$			V	$I_{OH} = -0.5\text{mA}$	
V_{OH2}	Output High Voltage (P36, P37, P00, P01)	2.0-5.5	$V_{CC}-0.8$			V	$I_{OH} = -7\text{mA}$	
V_{OL1}	Output Low Voltage	2.0-5.5			0.4	V	$I_{OL} = 4.0\text{mA}$	
V_{OL2}	Output Low Voltage (P00, P01, P36, P37)	2.0-5.5			0.8	V	$I_{OL} = 10\text{mA}$	
V_{OFFSET}	Comparator Input Offset Voltage	2.0-5.5			25	mV		
V_{REF}	Comparator Reference Voltage	2.0-5.5	0		V_{CC} 1.75	V		
I_{IL}	Input Leakage	2.0-5.5	-1		1	μA	$V_{IN} = 0\text{V}$, V_{CC} Pull-ups disabled	
R_{PU}	Pull-up Resistance	2.0V	225		675	$\text{K}\Omega$	$V_{IN} = 0\text{V}$; Pullups selected by mask option	
		3.6V	75		275	$\text{K}\Omega$		
		5.0V	40		160	$\text{K}\Omega$		

Table 9. GP323HS DC Characteristics (Continued)

Symbol	Parameter	V _{CC}	T _A =0°C to +70°C			Units	Conditions	Notes
			Min	Typ(7)	Max			
I _{OL}	Output Leakage	2.0-5.5	-1		1	μA	V _{IN} = 0V, V _{CC}	
I _{CC}	Supply Current	2.0V		1	3	mA	at 8.0 MHz	1, 2
		3.6V		5	10	mA	at 8.0 MHz	1, 2
		5.5V		10	15	mA	at 8.0 MHz	1, 2
I _{CC1}	Standby Current (HALT Mode)	2.0V		0.5	1.6	mA	V _{IN} = 0V, Clock at 8.0MHz	1, 2, 6
		3.6V		0.8	2.0	mA	V _{IN} = 0V, Clock at 8.0MHz	1, 2, 6
		5.5V		1.3	3.2	mA	V _{IN} = 0V, Clock at 8.0MHz	1, 2, 6
I _{CC2}	Standby Current (Stop Mode)	2.0V		1.6	8	μA	V _{IN} = 0 V, V _{CC} WDT not Running	3
		3.6V		1.8	10	μA	V _{IN} = 0 V, V _{CC} WDT not Running	3
		5.5V		1.9	12	μA	V _{IN} = 0 V, V _{CC} WDT not Running	3
		2.0V		5	20	μA	V _{IN} = 0 V, V _{CC} WDT is Running	3
		3.6V		8	30	μA	V _{IN} = 0 V, V _{CC} WDT is Running	3
		5.5V		15	45	μA	V _{IN} = 0 V, V _{CC} WDT is Running	3
I _{LV}	Standby Current (Low Voltage)			1.2	6	μA	Measured at 1.3V	4
V _{BO}	V _{CC} Low Voltage Protection			1.9	2.0	V	8MHz maximum Ext. CLK Freq.	
V _{LVD}	V _{CC} Low Voltage Detection			2.4		V		
V _{HVD}	V _{CC} High Voltage Detection			2.7		V		

Notes:

1. All outputs unloaded, inputs at rail.
2. CL1 = CL2 = 100 pF.
3. Oscillator stopped.
4. Oscillator stops when V_{CC} falls below V_{BO} limit.
5. It is strongly recommended to add a filter capacitor (minimum 0.1 μF), physically close to V_{CC} and V_{SS} pins if operating voltage fluctuations are anticipated, such as those resulting from driving an Infrared LED.
6. Comparator and Timers are on. Interrupt disabled.
7. Typical values shown are at 25 degrees C.

Table 10. GP323HE DC Characteristics

Symbol	Parameter	V _{CC}	T _A = -40°C to +105°C			Units	Conditions	Notes
			Min	Typ(7)	Max			
V _{CC}	Supply Voltage		2.0		5.5	V	See Note 5	5
V _{CH}	Clock Input High Voltage	2.0-5.5	0.8 V _{CC}		V _{CC} +0.3	V	Driven by External Clock Generator	
V _{CL}	Clock Input Low Voltage	2.0-5.5	V _{SS} -0.3		0.4	V	Driven by External Clock Generator	
V _{IH}	Input High Voltage	2.0-5.5	0.7 V _{CC}		V _{CC} +0.3	V		
V _{IL}	Input Low Voltage	2.0-5.5	V _{SS} -0.3		0.2 V _{CC}	V		
V _{OH1}	Output High Voltage	2.0-5.5	V _{CC} -0.4			V	I _{OH} = -0.5mA	

Table 10. GP323HE DC Characteristics (Continued)

Symbol	Parameter	V _{CC}	T _A = -40°C to +105°C			Units	Conditions	Notes
			Min	Typ(7)	Max			
V _{OH2}	Output High Voltage (P36, P37, P00, P01)	2.0-5.5	V _{CC} -0.8			V	I _{OH} = -7mA	
V _{OL1}	Output Low Voltage	2.0-5.5			0.4	V	I _{OL} = 4.0mA	
V _{OL2}	Output Low Voltage (P00, P01, P36, P37)	2.0-5.5			0.8	V	I _{OL} = 10mA	
V _{OFFSET}	Comparator Input Offset Voltage	2.0-5.5			25	mV		
V _{REF}	Comparator Reference Voltage	2.0-5.5	0		V _{DD} -1.75	V		
I _{IL}	Input Leakage	2.0-5.5	-1		1	μA	V _{IN} = 0V, V _{CC} Pull-ups disabled	
R _{PU}	Pull-up Resistance	2.0V	200.0		700.0	KΩ	V _{IN} = 0V; Pullups selected by mask option	
		3.6V	50.0		300.0	KΩ		
		5.0V	25.0		175.0	KΩ		
I _{OL}	Output Leakage	2.0-5.5	-1		1	μA	V _{IN} = 0V, V _{CC}	
I _{CC}	Supply Current	2.0V		1	3	mA	at 8.0 MHz	1, 2
		3.6V		5	10	mA	at 8.0 MHz	1, 2
		5.5V		10	15	mA	at 8.0 MHz	1, 2
I _{CC1}	Standby Current (HALT Mode)	2.0V		0.5	1.6	mA	V _{IN} = 0V, Clock at 8.0MHz	1, 2, 6
		3.6V		0.8	2.0	mA	V _{IN} = 0V, Clock at 8.0MHz	1, 2, 6
		5.5V		1.3	3.2	mA	V _{IN} = 0V, Clock at 8.0MHz	1, 2, 6
I _{CC2}	Standby Current (Stop Mode)	2.0V		1.6	12	μA	V _{IN} = 0 V, V _{CC} WDT not Running	3
		3.6V		1.8	15	μA	V _{IN} = 0 V, V _{CC} WDT not Running	3
		5.5V		1.9	18	μA	V _{IN} = 0 V, V _{CC} WDT not Running	3
		2.0V		5	30	μA	V _{IN} = 0 V, V _{CC} WDT is Running	3
		3.6V		8	40	μA	V _{IN} = 0 V, V _{CC} WDT is Running	3
		5.5V		15	60	μA	V _{IN} = 0 V, V _{CC} WDT is Running	3
I _{LV}	Standby Current (Low Voltage)			1.2	6	μA	Measured at 1.3V	4
V _{BO}	V _{CC} Low Voltage Protection			1.9	2.15	V	8MHz maximum Ext. CLK Freq.	
V _{LVD}	V _{CC} Low Voltage Detection			2.4		V		
V _{HVD}	V _{CC} High Voltage Detection			2.7		V		

Notes:

1. All outputs unloaded, inputs at rail.
2. CL1 = CL2 = 100 pF.
3. Oscillator stopped.
4. Oscillator stops when V_{CC} falls below V_{BO} limit.
5. It is strongly recommended to add a filter capacitor (minimum 0.1 μF), physically close to V_{CC} and V_{SS} pins if operating voltage fluctuations are anticipated, such as those resulting from driving an Infrared LED.
6. Comparator and Timers are on. Interrupt disabled.
7. Typical values shown are at 25 degrees C.

Table 11. GP323HA DC Characteristics

		$T_A = -40^\circ\text{C to } +125^\circ\text{C}$						
Symbol	Parameter	V_{CC}	Min	Typ(7)	Max	Units	Conditions	Notes
V_{CC}	Supply Voltage		2.0		5.5	V	See Note 5	5
V_{CH}	Clock Input High Voltage	2.0-5.5	$0.8 V_{CC}$		$V_{CC}+0.3$	V	Driven by External Clock Generator	
V_{CL}	Clock Input Low Voltage	2.0-5.5	$V_{SS}-0.3$		0.4	V	Driven by External Clock Generator	
V_{IH}	Input High Voltage	2.0-5.5	$0.7 V_{CC}$		$V_{CC}+0.3$	V		
V_{IL}	Input Low Voltage	2.0-5.5	$V_{SS}-0.3$		$0.2 V_{CC}$	V		
V_{OH1}	Output High Voltage	2.0-5.5	$V_{CC}-0.4$			V	$I_{OH} = -0.5\text{mA}$	
V_{OH2}	Output High Voltage (P36, P37, P00, P01)	2.0-5.5	$V_{CC}-0.8$			V	$I_{OH} = -7\text{mA}$	
V_{OL1}	Output Low Voltage	2.0-5.5			0.4	V	$I_{OL} = 4.0\text{mA}$	
V_{OL2}	Output Low Voltage (P00, P01, P36, P37)	2.0-5.5			0.8	V	$I_{OL} = 10\text{mA}$	
V_{OFFSET}	Comparator Input Offset Voltage	2.0-5.5			25	mV		
V_{REF}	Comparator Reference Voltage	2.0-5.5	0		$V_{DD} - 1.75$	V		
I_{IL}	Input Leakage	2.0-5.5	-1		1	μA	$V_{IN} = 0\text{V}, V_{CC}$ Pull-ups disabled	
R_{PU}	Pull-up Resistance	2.0V	200		700	$\text{K}\Omega$	$V_{IN} = 0\text{V}$; Pullups selected by mask option	
		3.6V	50		300	$\text{K}\Omega$		
		5.0V	25		175	$\text{K}\Omega$		
I_{OL}	Output Leakage	2.0-5.5	-1		1	μA	$V_{IN} = 0\text{V}, V_{CC}$	
I_{CC}	Supply Current	2.0V		1	3	mA	at 8.0 MHz	1, 2
		3.6V		5	10	mA	at 8.0 MHz	1, 2
		5.5V		10	15	mA	at 8.0 MHz	1, 2
I_{CC1}	Standby Current (HALT Mode)	2.0V		0.5	1.6	mA	$V_{IN} = 0\text{V}$, Clock at 8.0MHz	1, 2, 6
		3.6V		0.8	2.0	mA	$V_{IN} = 0\text{V}$, Clock at 8.0MHz	1, 2, 6
		5.5V		1.3	3.2	mA	$V_{IN} = 0\text{V}$, Clock at 8.0MHz	1, 2, 6
I_{CC2}	Standby Current (Stop Mode)	2.0V		1.6	15	μA	$V_{IN} = 0\text{V}, V_{CC}$ WDT not Running	3
		3.6V		1.8	20	μA	$V_{IN} = 0\text{V}, V_{CC}$ WDT not Running	3
		5.5V		1.9	25	μA	$V_{IN} = 0\text{V}, V_{CC}$ WDT not Running	3
		2.0V		5	30	μA	$V_{IN} = 0\text{V}, V_{CC}$ WDT is Running	3
		3.6V		8	40	μA	$V_{IN} = 0\text{V}, V_{CC}$ WDT is Running	3
		5.5V		15	60	μA	$V_{IN} = 0\text{V}, V_{CC}$ WDT is Running	3
I_{LV}	Standby Current (Low Voltage)			1.2	6	μA	Measured at 1.3V	4
V_{BO}	V_{CC} Low Voltage Protection			1.9	2.15	V	8MHz maximum Ext. CLK Freq.	
V_{LVD}	V_{CC} Low Voltage Detection			2.4		V		



Table 11. GP323HA DC Characteristics (Continued)

Symbol	Parameter	V _{CC}	T _A = -40°C to +125°C			Units	Conditions	Notes
			Min	Typ(7)	Max			
V _{HVD}	V _{CC} High Voltage Detection			2.7		V		

Notes:

1. All outputs unloaded, inputs at rail.
2. CL1 = CL2 = 100 pF.
3. Oscillator stopped.
4. Oscillator stops when V_{CC} falls below V_{BO} limit.
5. It is strongly recommended to add a filter capacitor (minimum 0.1 μF), physically close to V_{CC} and V_{SS} pins if operating voltage fluctuations are anticipated, such as those resulting from driving an Infrared LED.
6. Comparator and Timers are on. Interrupt disabled.
7. Typical values shown are at 25 degrees C.

Table 12. EPROM/OTP Characteristics

Symbol	Parameter	Min.	Typ.	Max.	Unit	Notes
	Erase Time	15			Minutes	1,3
	Data Retention @ use years		10		Years	2
	Program/Erase Endurance	100			Cycles	1

Notes:

1. For windowed cerdip package only.
2. Standard: 0°C to 70°C; Extended: -40°C to +105°C; Automotive: -40°C to +125°C. Determined using the Arrhenius model, which is an industry standard for estimating data retention of floating gate technologies:

$$AF = \exp[(Ea/k) * (1/T_{use} - 1/T_{stress})]$$

Where:

Ea is the intrinsic activation energy (eV; typ. 0.8)

k is Boltzman's constant (8.67 x 10⁻⁵ eV/°K)

°K = -273.16°C

T_{use} = Use Temperature in °K

T_{stress} = Stress Temperature in °K

3. At a stable UV Lamp output of 20mW/CM²



AC Characteristics

Figure 8 and Table 13 describe the Alternating Current (AC) characteristics.

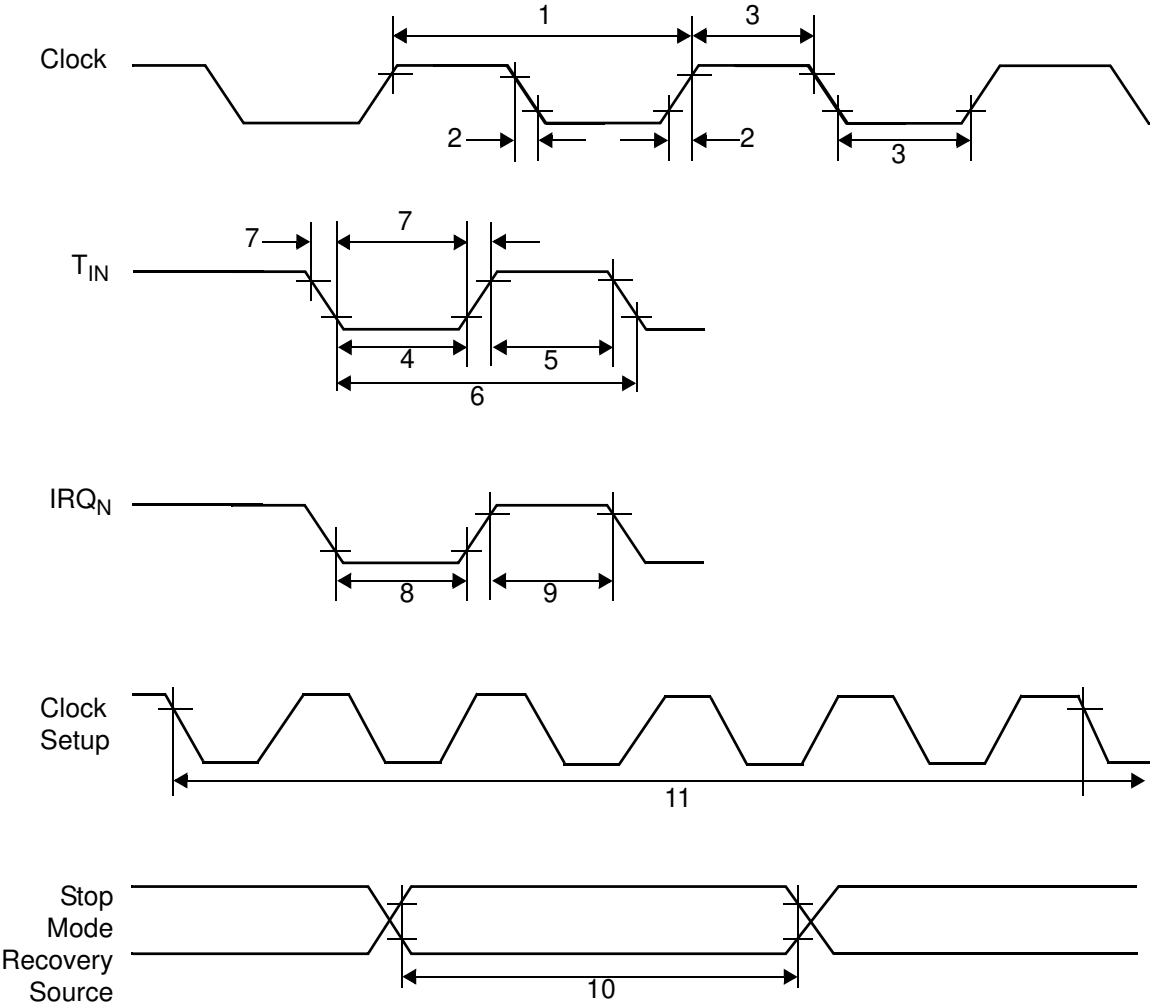


Figure 8. AC Timing Diagram



Table 13. AC Characteristics

No	Symbol	Parameter	V _{CC}	T _A =0°C to +70°C (S) -40°C to +105°C (E) -40°C to +125°C (A) 8.0MHz		Units	Notes	Watch-Dog Timer Mode Register (D1, D0)
				Minimum	Maximum			
1	T _{pC}	Input Clock Period	2.0–5.5	121	DC	ns	1	
2	TrC, TfC	Clock Input Rise and Fall Times	2.0–5.5		25	ns	1	
3	T _{wC}	Input Clock Width	2.0–5.5	37		ns	1	
4	T _{wTinL}	Timer Input Low Width	2.0 5.5	100 70		ns	1	
5	T _{wTinH}	Timer Input High Width	2.0–5.5	3T _{pC}			1	
6	T _{pTin}	Timer Input Period	2.0–5.5	8T _{pC}			1	
7	TrTin, TfTin	Timer Input Rise and Fall Timers	2.0–5.5		100	ns	1	
8	T _{wIL}	Interrupt Request Low Time	2.0 5.5	100 70		ns	1, 2	
9	T _{wIH}	Interrupt Request Input High Time	2.0–5.5	5T _{pC}			1, 2	
10	T _{wsm}	Stop-Mode Recovery Width Spec	2.0–5.5	12 5T _{pC}		ns	3 4	
11	T _{ost}	Oscillator Start-Up Time	2.0–5.5		5T _{pC}		4	
12	T _{wdt}	Watch-Dog Timer Delay Time	2.0–5.5 2.0–5.5 2.0–5.5 2.0–5.5	5 10 20 80		ms ms ms ms	0, 0 0, 1 1, 0 1, 1	
13	T _{POR}	Power-On Reset	2.0–5.5	2.5	10	ms		

Notes:

1. Timing Reference uses 0.9 V_{CC} for a logic 1 and 0.1 V_{CC} for a logic 0.
2. Interrupt request through Port 3 (P33–P31).
3. SMR – D5 = 1.
4. SMR – D5 = 0.