



Chipsmall Limited consists of a professional team with an average of over 10 year of expertise in the distribution of electronic components. Based in Hongkong, we have already established firm and mutual-benefit business relationships with customers from,Europe,America and south Asia,supplying obsolete and hard-to-find components to meet their specific needs.

With the principle of "Quality Parts,Customers Priority,Honest Operation,and Considerate Service",our business mainly focus on the distribution of electronic components. Line cards we deal with include Microchip,ALPS,ROHM,Xilinx,Pulse,ON,Everlight and Freescale. Main products comprise IC,Modules,Potentiometer,IC Socket,Relay,Connector.Our parts cover such applications as commercial,industrial, and automotives areas.

We are looking forward to setting up business relationship with you and hope to provide you with the best service and solution. Let us make a better world for our industry!



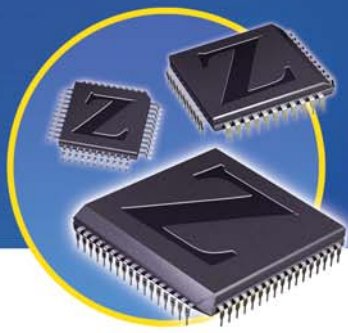
Contact us

Tel: +86-755-8981 8866 Fax: +86-755-8427 6832

Email & Skype: info@chipsmall.com Web: www.chipsmall.com

Address: A1208, Overseas Decoration Building, #122 Zhenhua RD., Futian, Shenzhen, China





Crimzon RC Blaster™ Microcontroller

Your Complete Drop-In IR Remote Database Solution



Overview

The Crimzon RC Blaster™ microcontroller and database solution is based on Zilog's popular Crimzon® family of infrared microcontrollers. This solution supports the increasing demand of adding universal remote control functionality into systems quickly and easily. Included in this device is a comprehensive North American infrared (IR) code database derived from Zilog's highly-acclaimed ZBASE®. The database covers the major brands and keys for TV, VCR, DVD, cable, satellite, and audio system. ZBASE is the Zilog® infrared remote database built using the scientific method with great marketing coverage and high quality.

Extensive Brand and Model Coverage

The Zilog universal IR database provides the best brand and model coverage available with over 3,700 brands supported. Zilog also includes a code set reference manual listing applicable brand codes.

Zilog's ZBASE continues to provide trusted coverage for millions of customers worldwide by taking advantage of our unsurpassed database built using market analysis, quality control processes and signal integrity.

Features

- Low-power Stop-Mode consumption -2 μ A (typical)
- Operating voltage 2.0-3.6V
- Comprehensive North American, 6-in-1, plus European Satellite and Cable database included with no separate licensing fees.
- Full database coverage for most TV, VCR, DVD, cable, satellite, and audio devices, with extensive key coverage including functions such as menu, audio, picture-in-picture (PIP), guide, and information.
- Hardware jumper and command configurable.
- Package types include 20-pin PDIP/SOIC/SSOP

Drop-in IR Remote Database

Zilog's Crimzon RC Blaster provides an easily-integrated slave MCU and the industry's best IR database all in one chip. Whether you are designing a set-top box, digital video recorder (DVR), DVD recorder, video network streaming device, media center hub, PC add-in card, or any applications requiring infrared remote control capabilities, the Crimzon RC Blaster is adaptable to any design in a variety of situations.

The Crimzon RC Blaster can be controlled by any master CPU easily via two-way UART. After receiving a command from the master, RC Blaster™ transmits the corresponding IR command to the end-device. This simple solution allows you to dedicate your engineering resources on other tasks and leaves the database work to Zilog.

zilog®

Crimzon RC Blaster™ Microcontroller & Database Solution

The ZBASE Database Methodology

The nucleus of Zilog's IR solution resides in the complexity and broad array of codesets found in its ZBASE® database. The scientific method in gathering these IR codes is not easy, and Zilog® has mastered a way to provide its customers the most comprehensive and complete set of IR code data available in the marketplace today.

At a macro view, here is how the code building process works:

- Popular remotes are selected based on point-of-sale (POS) reports
- The remotes are purchased and managed by Zilog's Remote Asset Management (ZRAM) System
- Each remote is categorized and captured with original user manuals and photos
- Code extraction is then based on available memory size to maximize market coverage and to meet selected market segments
- The remotes are then verified on each model and codeset
- And finally, continuous improvement and updating occurs with market feedback on a regular basis

ZBASE is constantly being updated on a weekly basis using this above methodology to provide our customers only the best quality and choice when designing their IR-based applications.

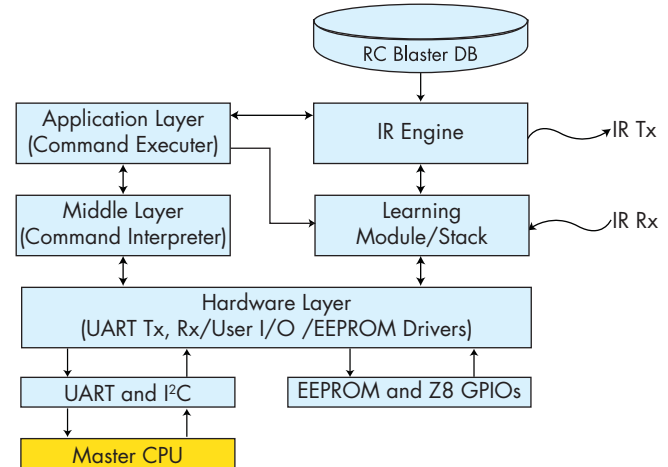
Additional Reference Materials Available

The following collateral pieces are available for download at www.zilog.com and/or from your local Zilog sales office.

- PB0171 Crimzon RC Blaster Product Brief
- UM0216 Crimzon RC Blaster User Manual
- RM0052 Crimzon RC Blaster Reference Manual (by NDA*)

Order your Zilog Development Kits at <http://www.zilog.com> to get your applications to market in record time.

Crimzon, Crimzon RC Blaster and ZBASE are trademarks of Zilog, Inc. in the United States and in other countries. FL012803-0807



Crimzon RC Blaster Architecture

Part Ordering Information: North American & European

Device	Part Type	Package Type (Lead-Free)
ZLPBLST0H2064GRXXXX	OTP	20-Pin SSOP
ZLPBLST0P2064GRXXXX	OTP	20-Pin PDIP
ZLPBLST0S2064GRXXXX	OTP	20-Pin SOIC
ZLRBLST0H2064GRXXXX	ROM	20-Pin SSOP
ZLRBLST0P2064GRXXXX	ROM	20-Pin PDIP
ZLRBLST0S2064GRXXXX	ROM	20-Pin SOIC

► Note: Zilog® has been updating different versions of Crimzon RC Blaster. When it comes to production, Zilog will provide the latest firmware and database. Rxxxx is Zilog ROM code number for version control. For more information on ordering, contact your local Zilog sales office. The Zilog website, www.zilog.com lists all regional offices and provides additional Crimzon RC Blaster product information.

Development Tools Ordering Information

The following development tools are available for evaluating the Crimzon RC Blaster solution*:

- ZRCBLST0100KITG: Crimzon RC Blaster Development Kit
- ZLP12800100ZACG: Crimzon Development Board

zilog