



Chipsmall Limited consists of a professional team with an average of over 10 year of expertise in the distribution of electronic components. Based in Hongkong, we have already established firm and mutual-benefit business relationships with customers from,Europe,America and south Asia,supplying obsolete and hard-to-find components to meet their specific needs.

With the principle of “Quality Parts,Customers Priority,Honest Operation,and Considerate Service”,our business mainly focus on the distribution of electronic components. Line cards we deal with include Microchip,ALPS,ROHM,Xilinx,Pulse,ON,Everlight and Freescale. Main products comprise IC,Modules,Potentiometer,IC Socket,Relay,Connector.Our parts cover such applications as commercial,industrial, and automotives areas.

We are looking forward to setting up business relationship with you and hope to provide you with the best service and solution. Let us make a better world for our industry!



Contact us

Tel: +86-755-8981 8866 Fax: +86-755-8427 6832

Email & Skype: info@chipsmall.com Web: www.chipsmall.com

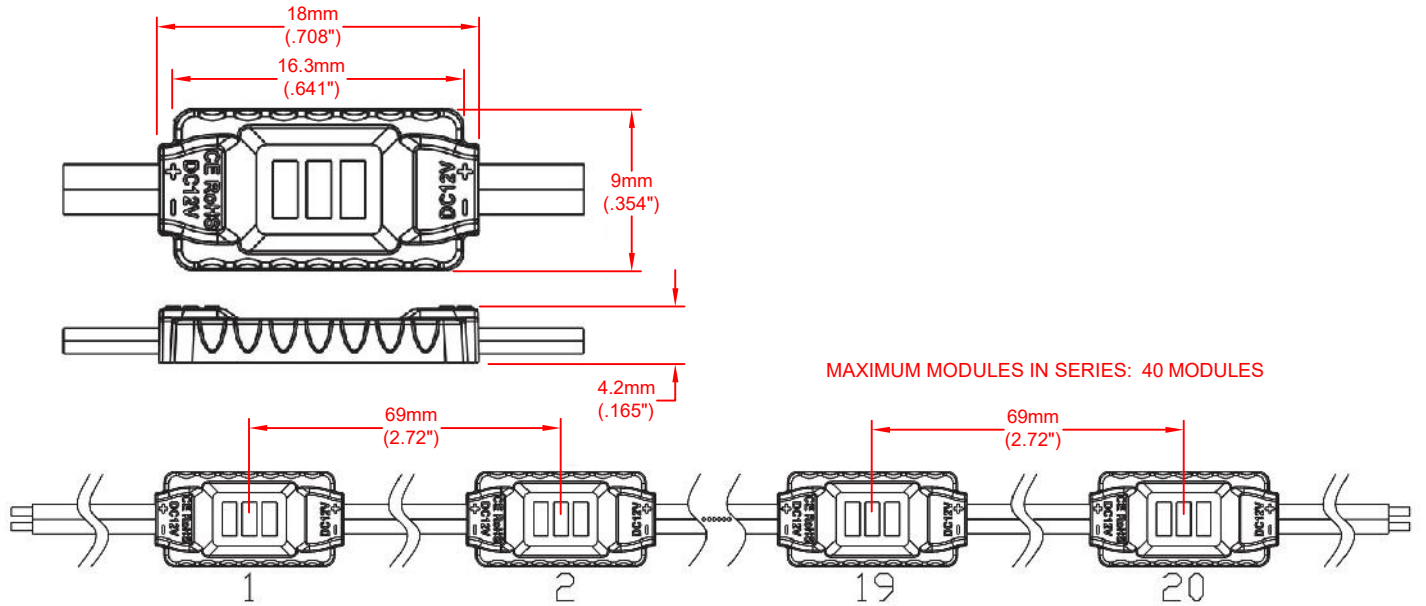
Address: A1208, Overseas Decoration Building, #122 Zhenhua RD., Futian, Shenzhen, China



LOW PROFILE 3-LED MINI MODULE

FEATURES

- VOLTAGE: 12V DC
- CURRENT: 30mA PER MODULE
- WATTAGE: .36W PER MODULE
- LED VIEWING ANGLE : 120°
- WATER RESISTANCE: IP67
- PACKAGE: 20 PIECES PER STRAND
- MOUNTING: ADHESIVE BACKING



24 AWG WIRE

Absolute Maximum Rating at TA = 25°C

Parameter	Symbol	Absolute Maximum Rating	Unit
Forward Current	IF	30	mA
Power Dissipation	PD	0.36	W
Electrostatic Discharge	ESD	600	V
Operating Temperature	Topr	-25~+50	°C
Storage Temperature	Tstg	-25~+70	°C

Electrical/Optical Characteristics at TA = 25°C

Parameter	Typical	Unit
Forward Voltage DC	12	VF
Color Temperature	10,000	K
Luminous Flux Per Module	33	lm
Recommend Forward Current	30	mA



OBSERVE PRECAUTION FOR HANDLING ELECTROSTATIC DISCHARGE SENSITIVE DEVICES

JKL PART NO.: ZM-189-CW

<p>THIRD ANGLE PROJECTION</p>	<p>METRIC</p> <p>DIMENSIONS ARE IN mm & (INCHES)</p> <p>TOLERANCE UNLESS OTHERWISE SPECIFIED</p> <p>1 PL +/- REF.</p> <p>2 PL +/- ANGLE +/-</p>	<p>JKL COMPONENTS CORPORATION</p>		
	<p>TITLE</p> <p>LOW PROFILE 3-LED MINI CHANNEL, COOL WHITE</p>			
<p>DRAWN BY</p> <p>L. WENGSTROM</p>	<p>APPV'D BY DATE</p> <p>S.C. 7/30/18</p>	<p>SIZE</p> <p>A</p>	<p>FSCM NO.</p> <p>55335</p>	<p>DRAWING NO.</p> <p>ZM-189-CW</p>
<p>SCALE</p> <p>NONE</p>		<p>RELEASED DATE</p> <p>7/28/18</p>	<p>REVISION DATE</p>	<p>REV. NO.</p>
<p>REV. NO.</p>		<p>DESCRIPTION/ECO NUMBER</p>		<p>APPV'D DATE</p>
		<p>- CAD DRAWING -</p> <p>MANUAL REVISIONS NOT PERMITTED</p>		<p>SHEET</p> <p>1 OF 1</p>