



Chipsmall Limited consists of a professional team with an average of over 10 year of expertise in the distribution of electronic components. Based in Hongkong, we have already established firm and mutual-benefit business relationships with customers from,Europe,America and south Asia,supplying obsolete and hard-to-find components to meet their specific needs.

With the principle of “Quality Parts,Customers Priority,Honest Operation,and Considerate Service”,our business mainly focus on the distribution of electronic components. Line cards we deal with include Microchip,ALPS,ROHM,Xilinx,Pulse,ON,Everlight and Freescale. Main products comprise IC,Modules,Potentiometer,IC Socket,Relay,Connector.Our parts cover such applications as commercial,industrial, and automotives areas.

We are looking forward to setting up business relationship with you and hope to provide you with the best service and solution. Let us make a better world for our industry!



Contact us

Tel: +86-755-8981 8866 Fax: +86-755-8427 6832

Email & Skype: info@chipsmall.com Web: www.chipsmall.com

Address: A1208, Overseas Decoration Building, #122 Zhenhua RD., Futian, Shenzhen, China



19.0mm X 57.0mm WATER RESISTANT LED MODULES

FEATURES

VOLTAGE: 12V DC PER MODULE

CURRENT: 60mA PER MODULE

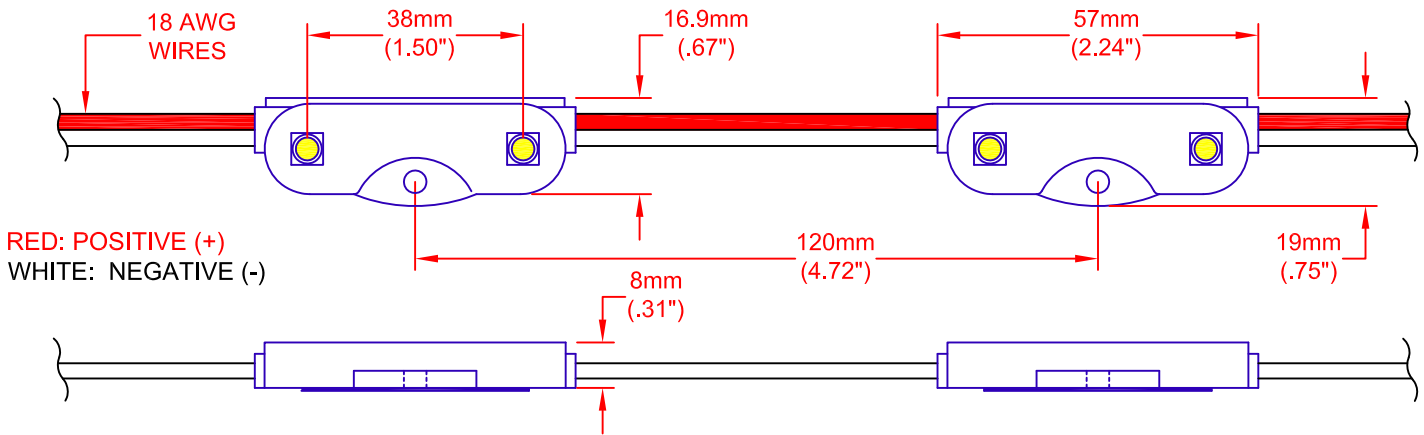
LED VIEWING ANGLE (2 θ 1/2): 120°

MODULE THICKNESS: 8mm

PACKAGE: 50 PIECES PER REEL



IP67



ALL DIMENSIONS ARE REFERENCE ONLY

NOTES:

- STANDARD MOUNTING INCLUDES ADHESIVE BACKING AND MOUNTING TABS FOR A #6 SCREW (SCREWS NOT INCLUDED).
- JKL ACCESSORIES TO BE ORDERED SEPARATELY: ZPS-1235 OR ZPS-1260 POWER SUPPLIES.
- DUE TO WIRE GAUGE USED IN THE CONSTRUCTION OF THE MODULES SERIAL RUNS SHOULD BE LIMITED TO 39 FEET OR 100 MODULES.
- POWER CONSUMPTION 2.2 WATTS PER FOOT.

PLEASE REFER TO JKL APPLICATION SHEET: JKL-AS-ZM-CHANNEL-LED FOR INSTALLATION AND POWER RECOMMENDATIONS.

Electrical/Optical Characteristics at TA = 25°C

Parameter	Symbol	Condition	Min	Typ	Max	Unit
Forward Voltage DC	VF	IF = 60mA	--	12	--	V
Color Temperature	TC	IF = 60mA	7500			K
Luminous Flux per Module	φV/Mod	IF = 60mA	--	26	--	lm/mod
Luminous Flux per Ft.	φV/Ft	--	--	66	--	lm/ft
Recommend Forward Current	IF(rec)	--	--	60	--	mA

Absolute Maximum Rating at TA = 25°C

Parameter	Symbol	Absolute Maximum Rating	Unit
Forward Current	IF	60	mA
Power Dissipation	PD	0.75	W
Electrostatic Discharge	ESD	800	V
Operating Temperature	Topr	-20~+70	°C
Storage Temperature	Tstg	-40~+80	°C



ATTENTION



OBSERVE PRECAUTION FOR HANDLING ELECTROSTATIC DISCHARGE SENSITIVE DEVICES

JKL PART NO.: ZM-1957-CW

METRIC THIRD ANGLE PROJECTION			DIMENSIONS ARE IN mm & (INCHES) TOLERANCE UNLESS OTHERWISE SPECIFIED 1 PL +/- REF. 2 PL +/- ANGLE +/-			JKL COMPONENTS CORPORATION					
DRAWN BY L. WENGSTROM			APPV'D BY DATE L.R. 8/30/11			SIZE A		FSCM NO. 55335		DRAWING NO. ZM-1957-CW	
TITLE COOL WHITE 2 LED MODULE CHANNEL LIGHT			SCALE NONE		RELEASED DATE 3/1/11		REVISION DATE 8/30/11		REV. NO. D SHEET 1 OF 1		
D ADD REFERENCE NOTE C ADD WIRE TYPE & CHANGE NOTES B ADD UL SYMBOL A CHNG NOTE 3 AND ELECT/OPT CHART RELEASED AND CANCEL PL-1101-04	8/30/11 7/5/11 4/14/11 3/23/11 3/1/11	APPV'D DATE	- CAD DRAWING - MANUAL REVISIONS NOT PERMITTED								