



Chipsmall Limited consists of a professional team with an average of over 10 year of expertise in the distribution of electronic components. Based in Hongkong, we have already established firm and mutual-benefit business relationships with customers from,Europe,America and south Asia,supplying obsolete and hard-to-find components to meet their specific needs.

With the principle of "Quality Parts,Customers Priority,Honest Operation,and Considerate Service",our business mainly focus on the distribution of electronic components. Line cards we deal with include Microchip,ALPS,ROHM,Xilinx,Pulse,ON,Everlight and Freescale. Main products comprise IC,Modules,Potentiometer,IC Socket,Relay,Connector.Our parts cover such applications as commercial,industrial, and automotives areas.

We are looking forward to setting up business relationship with you and hope to provide you with the best service and solution. Let us make a better world for our industry!



## Contact us

Tel: +86-755-8981 8866 Fax: +86-755-8427 6832

Email & Skype: info@chipsmall.com Web: www.chipsmall.com

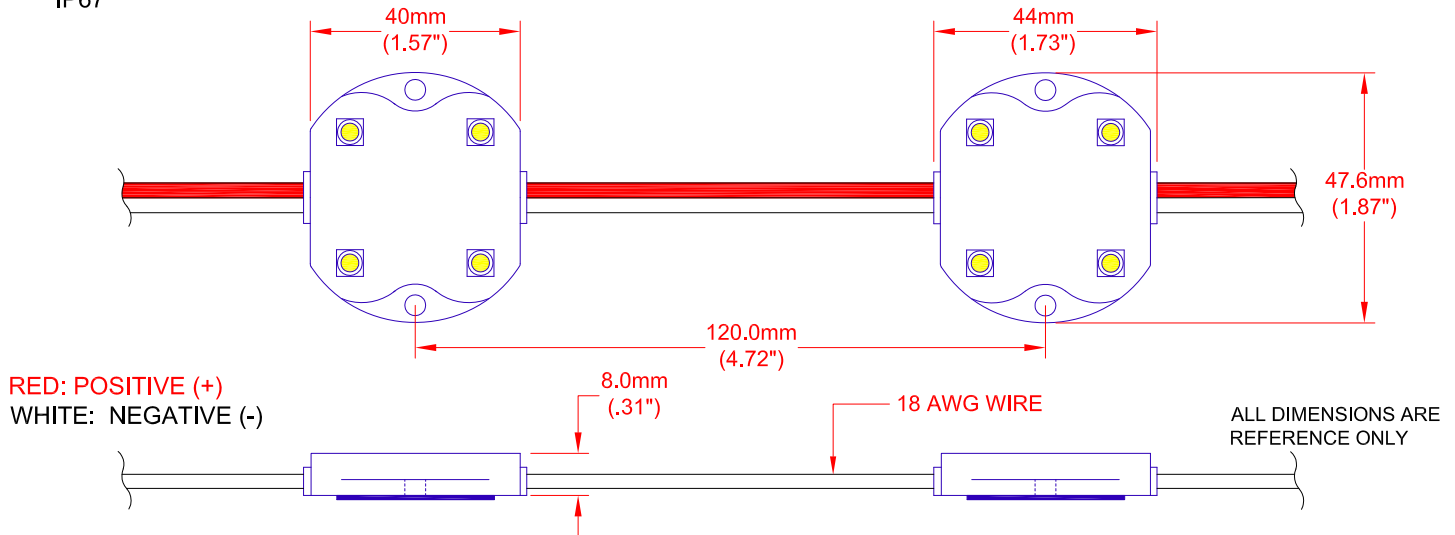
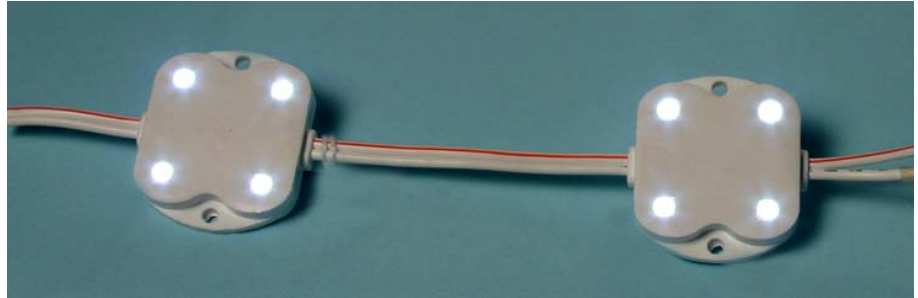
Address: A1208, Overseas Decoration Building, #122 Zhenhua RD., Futian, Shenzhen, China



## 40.0mm X 47.6mm WATER RESISTANT LED MODULES

### FEATURES

- VOLTAGE: 12V DC PER MODULE
- CURRENT: 110mA PER MODULE
- LED VIEWING ANGLE (2 θ 1/2): 120°
- MODULE THICKNESS: 8mm
- PACKAGE: 50 PIECES PER REEL
- IP67



#### NOTES:

1. STANDARD MOUNTING INCLUDES ADHESIVE BACKING AND MOUNTING TABS FOR A #6 SCREW (SCREWS NOT INCLUDED).
2. JKL ACCESSORIES TO BE ORDERED SEPARATELY: ZPS-1235 OR ZPS-1260 POWER SUPPLIES.
3. DUE TO WIRE GAUGE USED IN THE CONSTRUCTION OF THE MODULES SERIES RUNS SHOULD BE LIMITED TO 20 FEET OR 50 MODULES.
4. POWER CONSUMPTION 4 WATTS PER FOOT.

PLEASE REFER TO JKL APPLICATION SHEET: JKL-AS-ZM-CHANNEL-LED FOR INSTALLATION AND POWER RECOMMENDATIONS.

#### Electrical/Optical Characteristics at TA = 25°C

Parameter	Symbol	Condition	Min	Typ	Max	Unit
Forward Voltage DC	VF	IF = 100mA	--	12	--	V
Color Temperature	TC	IF = 100mA	7500			K
Luminous Flux per Module	φV/Mod	IF = 100mA	--	52	--	lm/module
Luminous Flux per Ft.	φV/Ft	--	--	132	--	lm/ft
Recommend Forward Current	IF(rec)	--	--	110	--	mA

#### Absolute Maximum Rating at TA = 25°C

Parameter	Symbol	Absolute Maximum Rating	Unit
Forward Current	IF	110	mA
Power Dissipation	PD	1.3	W
Electrostatic Discharge	ESD	800	V
Operating Temperature	Topr	-20~+70	°C
Storage Temperature	Tstg	-40~+80	°C



**OBSERVE PRECAUTION FOR HANDLING ELECTROSTATIC DISCHARGE SENSITIVE DEVICES**

**JKL PART NO.: ZM-4047-CW**

<b>E</b> CORRECT NOTE	3/5/12	<p>METRIC DIMENSIONS ARE IN mm &amp; (INCHES) TOLERANCE UNLESS OTHERWISE SPECIFIED 1 PL +/- REF. 2 PL +/- ANGLE +/-</p>	JKL COMPONENTS CORPORATION				
<b>D</b> ADD APPLICATIONS NOTE	9/7/11		TITLE <b>COOL WHITE 4 LED MODULE CHANNEL LIGHT</b>				
<b>C</b> ADD TYPE OF WIRE & CHNG NOTES	6/27/11		DRAWN BY L. WENGSTROM	APPV'D BY L.R.	DATE 3/5/12	SIZE <b>A</b>	
<b>B</b> ADD UL SYMBOL	4/15/11		DRAWING NO. <b>ZM-4047-CW</b>				
<b>A</b> CHANGE NOTE 3 & ELEC/OPT CHART	3/23/11		SCALE <b>NONE</b>				
RELEASED AND CANCEL PL-1101-01	3/1/11	- CAD DRAWING - MANUAL REVISIONS NOT PERMITTED		RELEASED DATE 3/1/11	REVISION DATE 3/5/12	REV. NO. <b>E</b>	SHEET <b>1</b> OF <b>1</b>