



Chipsmall Limited consists of a professional team with an average of over 10 year of expertise in the distribution of electronic components. Based in Hongkong, we have already established firm and mutual-benefit business relationships with customers from,Europe,America and south Asia,supplying obsolete and hard-to-find components to meet their specific needs.

With the principle of "Quality Parts,Customers Priority,Honest Operation,and Considerate Service",our business mainly focus on the distribution of electronic components. Line cards we deal with include Microchip,ALPS,ROHM,Xilinx,Pulse,ON,Everlight and Freescale. Main products comprise IC,Modules,Potentiometer,IC Socket,Relay,Connector.Our parts cover such applications as commercial,industrial, and automotives areas.

We are looking forward to setting up business relationship with you and hope to provide you with the best service and solution. Let us make a better world for our industry!



Contact us

Tel: +86-755-8981 8866 Fax: +86-755-8427 6832

Email & Skype: info@chipsmall.com Web: www.chipsmall.com

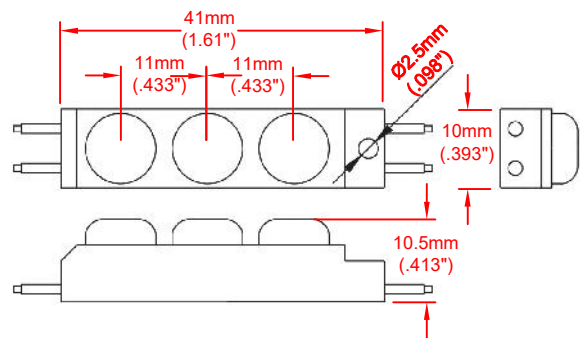
Address: A1208, Overseas Decoration Building, #122 Zhenhua RD., Futian, Shenzhen, China



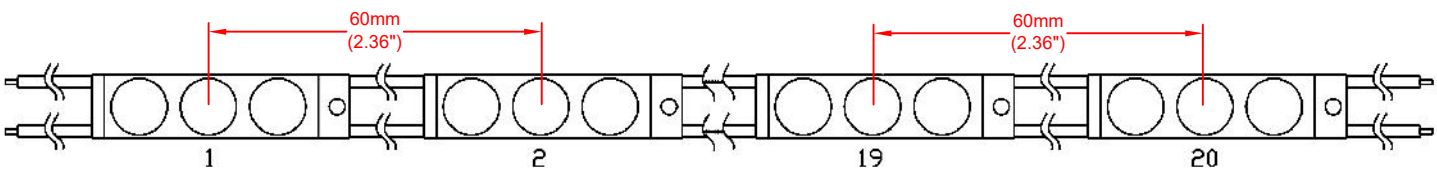
WATER RESISTANT 3-LED MINI MODULE

FEATURES

- VOLTAGE: 12V DC
- CURRENT: 75mA PER MODULE
- WATTAGE: 0.9W PER MODULE
- LED VIEWING ANGLE : 160°
- WATER RESISTANCE: IP67
- PACKAGE: 20 PIECES PER STRAND
- MOUNTING: ADHESIVE BACKING WITH SCREW MOUNT OPTION



MAXIMUM MODULES IN SERIES: 40 MODULES



20 AWG WIRE

Absolute Maximum Rating at TA = 25°C

Parameter	Symbol	Absolute Maximum Rating	Unit
Forward Current	IF	75	mA
Power Dissipation	PD	0.9	W
Electrostatic Discharge	ESD	800	V
Operating Temperature	Topr	-25~+50	°C
Storage Temperature	Tstg	-40~+70	°C

Electrical/Optical Characteristics at TA = 25°C

Parameter	Typical	Unit
Forward Voltage DC	12	VF
Color Temperature	6000	K
Luminous Flux Per Module	80	lm
Recommend Forward Current	75	mA

ATTENTION



OBSERVE PRECAUTION FOR HANDLING ELECTROSTATIC DISCHARGE SENSITIVE DEVICES

JKL PART NO.: ZM-4110-CW

				DIMENSIONS ARE IN mm & (INCHES) TOLERANCE UNLESS OTHERWISE SPECIFIED 1 PL +/- REF. 2 PL +/- ANGLE +/-		JKL COMPONENTS CORPORATION				
		THIRD ANGLE PROJECTION				TITLE WIDE VIEW 3-LED CHANNEL LED, COOL WHITE				
DRAWN BY L. WENGSTROM		APPV'D BY S.C.		DATE 7/30/18		SIZE A	FSCM NO. 55335	DRAWING NO. ZM-4110-CW		
RELEASE		7/28/18				SCALE NONE	RELEASED DATE 7/28/18	REVISION DATE	REV. NO.	SHEET 1 OF 1
REV. NO.	DESCRIPTION/ECO NUMBER	APPV'D DATE		- CAD DRAWING - MANUAL REVISIONS NOT PERMITTED						