



Chipsmall Limited consists of a professional team with an average of over 10 year of expertise in the distribution of electronic components. Based in Hongkong, we have already established firm and mutual-benefit business relationships with customers from,Europe,America and south Asia,supplying obsolete and hard-to-find components to meet their specific needs.

With the principle of “Quality Parts,Customers Priority,Honest Operation,and Considerate Service”,our business mainly focus on the distribution of electronic components. Line cards we deal with include Microchip,ALPS,ROHM,Xilinx,Pulse,ON,Everlight and Freescale. Main products comprise IC,Modules,Potentiometer,IC Socket,Relay,Connector.Our parts cover such applications as commercial,industrial, and automotives areas.

We are looking forward to setting up business relationship with you and hope to provide you with the best service and solution. Let us make a better world for our industry!



Contact us

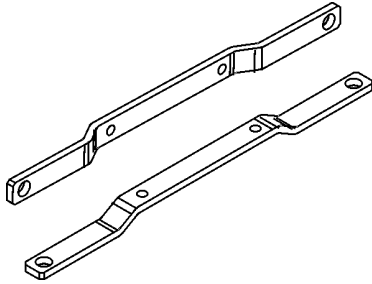
Tel: +86-755-8981 8866 Fax: +86-755-8427 6832

Email & Skype: info@chipsmall.com Web: www.chipsmall.com

Address: A1208, Overseas Decoration Building, #122 Zhenhua RD., Futian, Shenzhen, China



1. GENERAL DESCRIPTION



BRACKET FOR WALL MOUNTING

This bracket is used to mount the unit onto a flat surface without utilizing a DIN-Rail.

The bracket is suitable for all DIMENSION units, which have the bracket listed as an accessory in the device datasheets.

2. DIMENSIONS AND INSTALLATION DATA

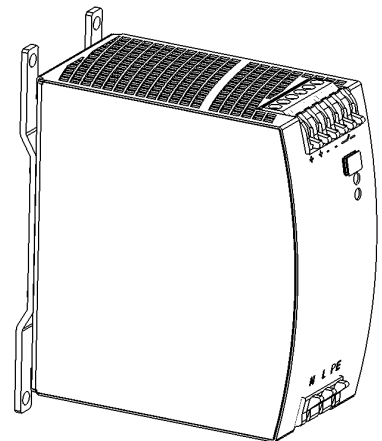
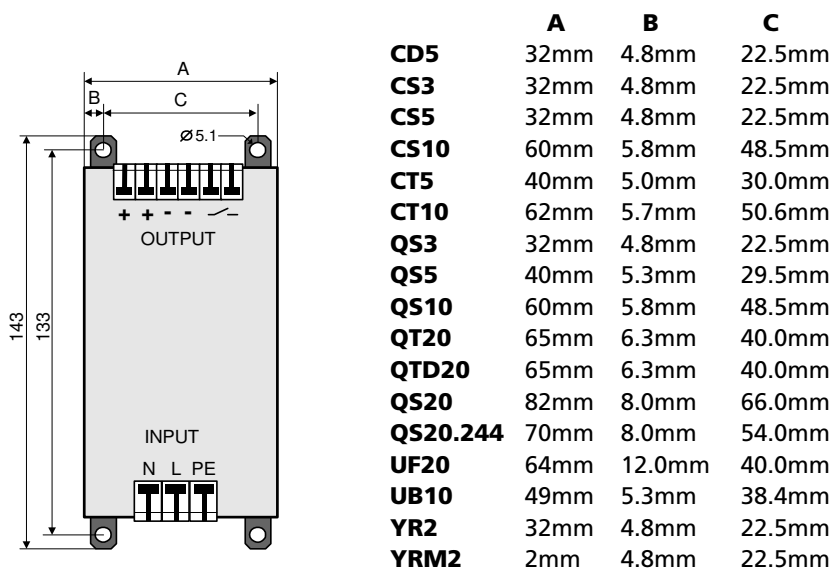
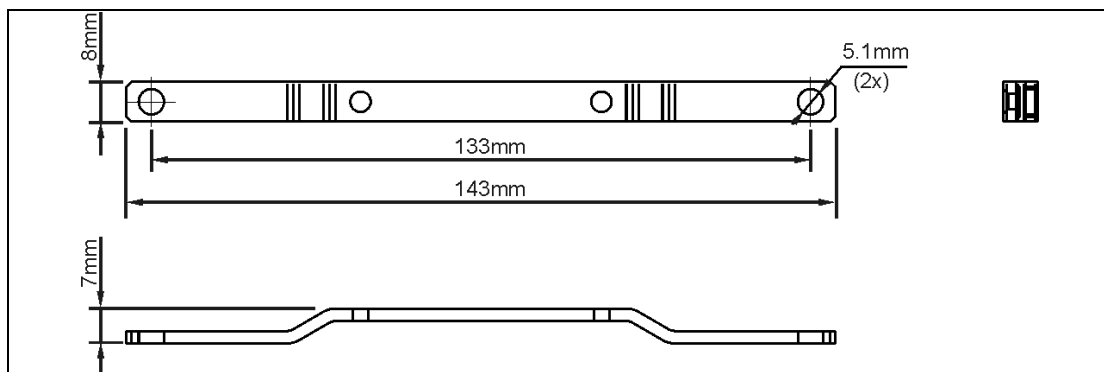
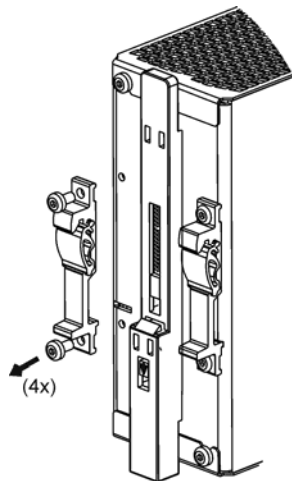


Fig. 2-1 Physical dimensions



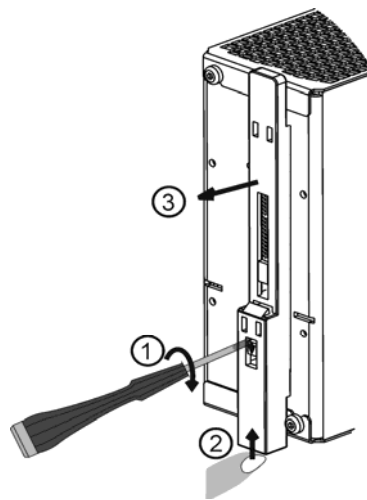
3. ASSEMBLY AND MOUNTING INSTRUCTIONS

Fig. 3-1 Detaching DIN-Rail brackets



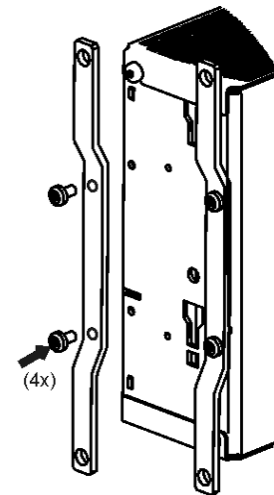
Detach the two aluminium brackets by removing the four screws with a Torx screwdriver (Torx 10).

Fig. 3-2 Detach slide



Remove the plastic lock mechanism by using a flat-blade screwdriver to move the lock downwards while at the same time push the plastic slider upwards. Detach the plastic slider.

Fig. 3-3 Mounting steel bracket



Mount the steel brackets with the same screws from the DIN-Rail brackets. Be careful not to over-tighten the screws! Recommended tightening torque is 0.6Nm/ 5.3lb.in.

⚠ WARNING

Risk of electrical shock, fire, personal injury or death.

Do not use other screws than the one from the DIN-Rail bracket. The unit might become unsafe when using longer screws as contact with live electrical circuits may occur.

4. ORDER NUMBERS

Accessory **ZM1.WALL** Wall-mounting Bracket Kit (2pcs.)