



Chipsmall Limited consists of a professional team with an average of over 10 year of expertise in the distribution of electronic components. Based in Hongkong, we have already established firm and mutual-benefit business relationships with customers from,Europe,America and south Asia,supplying obsolete and hard-to-find components to meet their specific needs.

With the principle of "Quality Parts,Customers Priority,Honest Operation,and Considerate Service",our business mainly focus on the distribution of electronic components. Line cards we deal with include Microchip,ALPS,ROHM,Xilinx,Pulse,ON,Everlight and Freescale. Main products comprise IC,Modules,Potentiometer,IC Socket,Relay,Connector.Our parts cover such applications as commercial,industrial, and automotives areas.

We are looking forward to setting up business relationship with you and hope to provide you with the best service and solution. Let us make a better world for our industry!



Contact us

Tel: +86-755-8981 8866 Fax: +86-755-8427 6832

Email & Skype: info@chipsmall.com Web: www.chipsmall.com

Address: A1208, Overseas Decoration Building, #122 Zhenhua RD., Futian, Shenzhen, China





WALL / PANEL MOUNT BRACKET

- Rugged Metal Bracket
- Suitable for Specific DIMENSION Units

1. GENERAL DESCRIPTION

The ZM5.WALL enables proven devices, such as power supplies or redundancy modules of the DIMENSION family, to be mounted on a wall or on a panel without using a DIN-Rail.

2. SHORT-FORM DATA

| | | |
|--------------|---------------|-------|
| Size (WxHxD) | 50x150x37mm | WxHxD |
| Weight | 110g / 0.24lb | |

INDEX

| | Page | | Page |
|------------------------------|------|--|------|
| 1. General Description | 1 | 4. Mounting Instructions | 2 |
| 2. Short-form Data | 1 | 5. Physical Dimensions and Weight..... | 3 |
| 3. Order Number | 1 | | |

The information given in this document is correct to the best of our knowledge and experience at the time of publication. If not expressly agreed otherwise, this information does not represent a warranty in the legal sense of the word. As the state of our knowledge and experience is constantly changing, the information in this data sheet is subject to revision. We therefore kindly ask you to always use the latest issue of this document (available under www.pulspower.com).

No part of this document may be reproduced or utilized in any form without our prior permission in writing.

3. ORDER NUMBER

ZM5.WALL The order number consists of one brackets including two self-tapping mounting screws.

4. MOUNTING INSTRUCTIONS

The bracket can be mounted without detaching the DIN-rail brackets.

Fig. 4-1 Step 1

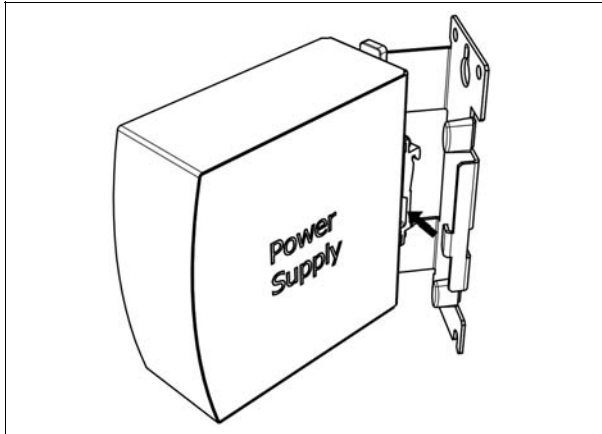


Fig. 4-2 Step 2

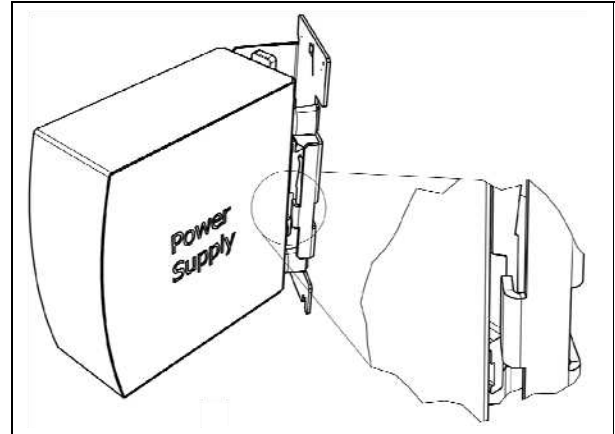


Fig. 4-3 Step 3

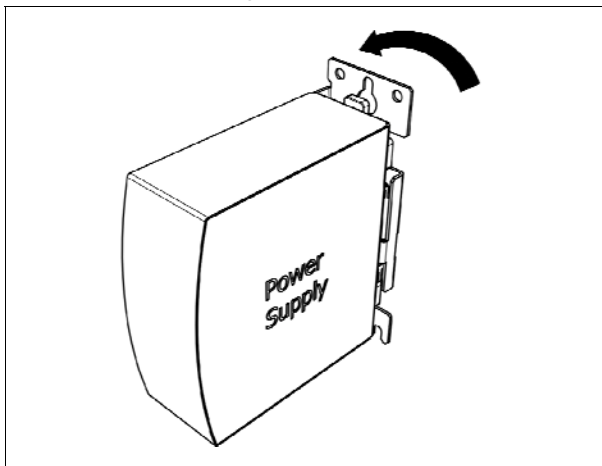


Fig. 4-4 Step 4

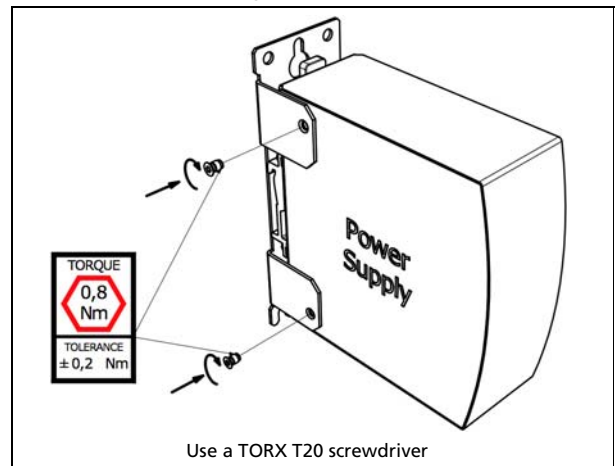


Fig. 4-5 Isometric view
(Picture shows the CP20.241)

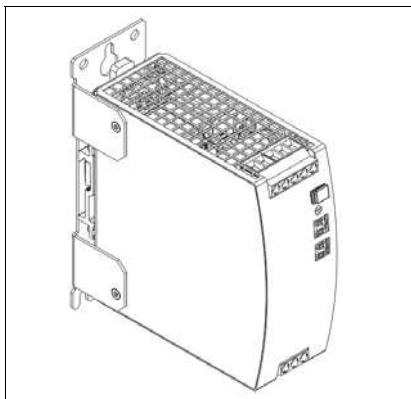


Fig. 4-6 Isometric view-
(Picture shows the CP20.241)

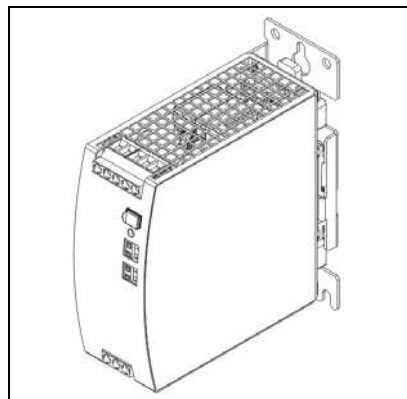
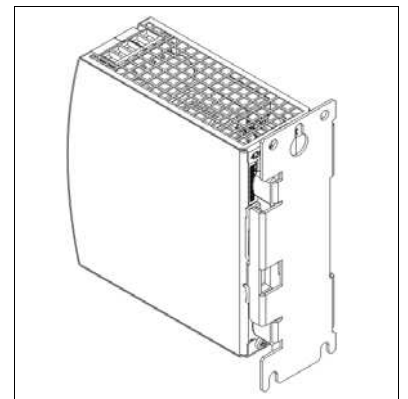


Fig. 4-7 Isometric view
(Picture shows the CP20.241)



5. PHYSICAL DIMENSIONS AND WEIGHT

| | |
|------------------|-------------------|
| Width | 50mm / 1.97" |
| Height | 150mm / 5.91" |
| Depth | 37mm / 1.46" |
| Weight | 110g / 0.24lb |
| Bracket material | Zinc-plated steel |

Fig. 5-1 **Sizes**

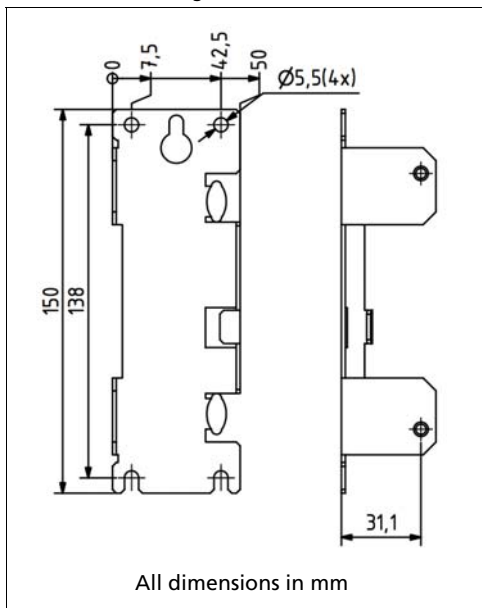


Fig. 5-2 **Isometric view**

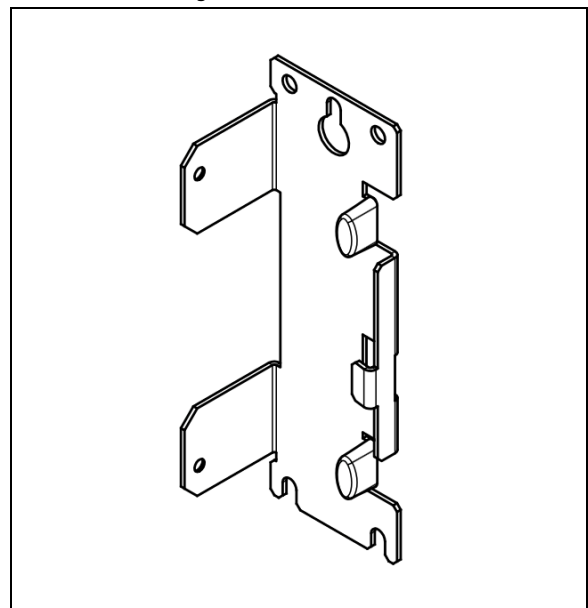


Fig. 5-3 **Wall/panel mounting, front view**
(Picture shows the CP20.241)

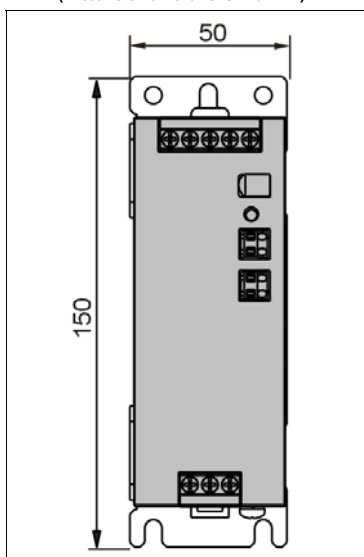


Fig. 5-4 **Hole pattern for wall mounting**

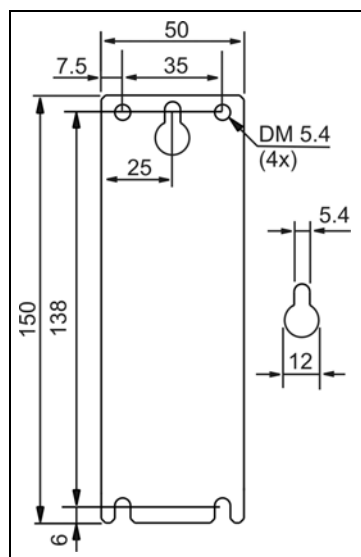


Fig. 5-5 **Wall/panel mounting, side view**
(Picture shows the CP20.241)

