



Chipsmall Limited consists of a professional team with an average of over 10 year of expertise in the distribution of electronic components. Based in Hongkong, we have already established firm and mutual-benefit business relationships with customers from,Europe,America and south Asia,supplying obsolete and hard-to-find components to meet their specific needs.

With the principle of “Quality Parts,Customers Priority,Honest Operation,and Considerate Service”,our business mainly focus on the distribution of electronic components. Line cards we deal with include Microchip,ALPS,ROHM,Xilinx,Pulse,ON,Everlight and Freescale. Main products comprise IC,Modules,Potentiometer,IC Socket,Relay,Connector.Our parts cover such applications as commercial,industrial, and automotives areas.

We are looking forward to setting up business relationship with you and hope to provide you with the best service and solution. Let us make a better world for our industry!



Contact us

Tel: +86-755-8981 8866 Fax: +86-755-8427 6832

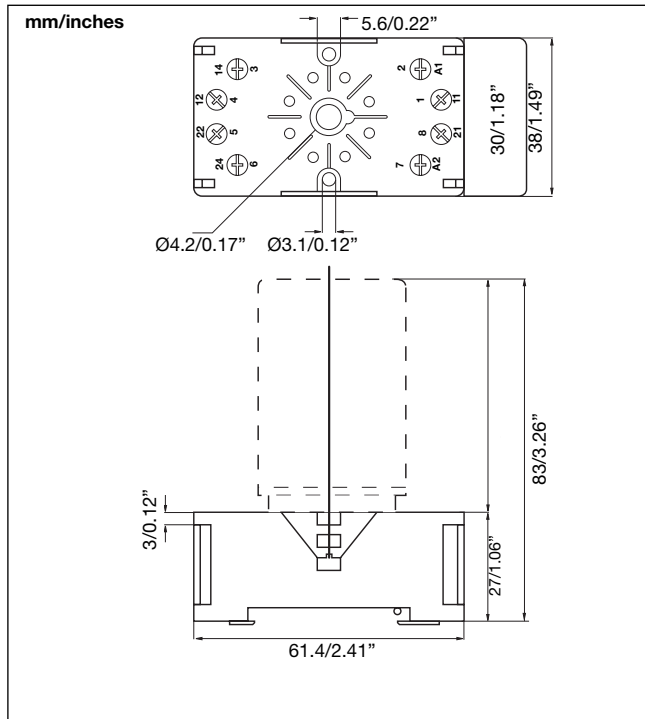
Email & Skype: info@chipsmall.com Web: www.chipsmall.com

Address: A1208, Overseas Decoration Building, #122 Zhenhua RD., Futian, Shenzhen, China



Sockets for RCP relays

ZPD 8



ZPD 8

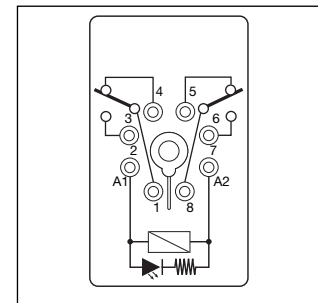
General data

Rated voltage	300VAC
Rated current	10A
CSA rating	12A @ 300VAC
UL rating	10A @ 300VAC 12A @ 150VAC
Insulation voltage	>3kV
Protection degree	IP 20 (EN60529)
Operating temperature range	-25° to +85°C (-13° to +185°F)
Socket material	PA6+GF (V1)
Socket colour	RAL 7035 / Pantone 1C
Terminal type	Screw cage
Screw type	M3 with combi head (slotted, Philips Gr.1, Pozi)
Maximum screw torque	0.8N/m
Max Wire section	2 x 2.5mm ² (14AWG)
Flex / compact wire	2 x 2.5mm ² (14AWG)
Cable End	2 x 1.5mm ² (16AWG)
Contacts material	Nikel plated - CuZn33

Terminal type



Wiring diagram



Approvals



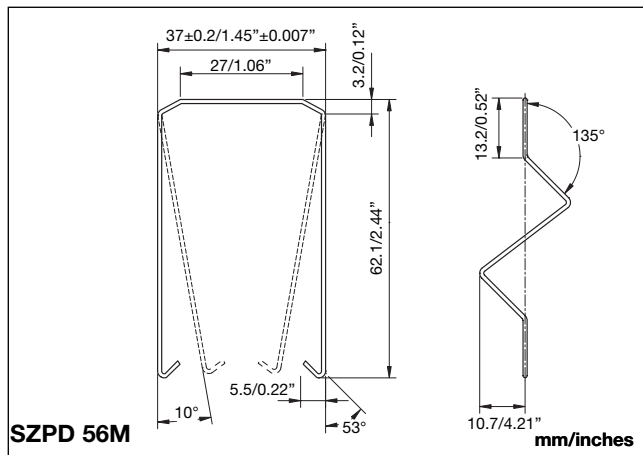
Ordering part number	9399020001
Box content:	10 sockets
Box size: (W 70 x D 140 x H 85) mm	Weight: 600g
(W 2.75 x D 5.51 x H 3.35) inches	Weight: 21.16oz

Optional Accessories (to be ordered separately if required)

Hold-down spring steel SZPD56M

Optional Springs for ZPD series

SZPD 56M



SZPD 56M

General data

Spring material

Stainless steel

Packaging

Box content:

1 plastic bag, 10pcs.

Weight:

~10g (0.36oz)

RoHS
COMPLIANT