



Chipsmall Limited consists of a professional team with an average of over 10 year of expertise in the distribution of electronic components. Based in Hongkong, we have already established firm and mutual-benefit business relationships with customers from,Europe,America and south Asia,supplying obsolete and hard-to-find components to meet their specific needs.

With the principle of "Quality Parts,Customers Priority,Honest Operation,and Considerate Service",our business mainly focus on the distribution of electronic components. Line cards we deal with include Microchip,ALPS,ROHM,Xilinx,Pulse,ON,Everlight and Freescale. Main products comprise IC,Modules,Potentiometer,IC Socket,Relay,Connector.Our parts cover such applications as commercial,industrial, and automotives areas.

We are looking forward to setting up business relationship with you and hope to provide you with the best service and solution. Let us make a better world for our industry!



Contact us

Tel: +86-755-8981 8866 Fax: +86-755-8427 6832

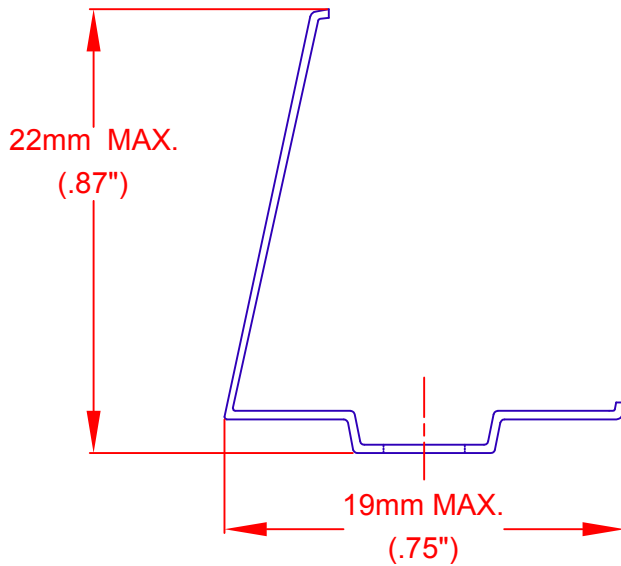
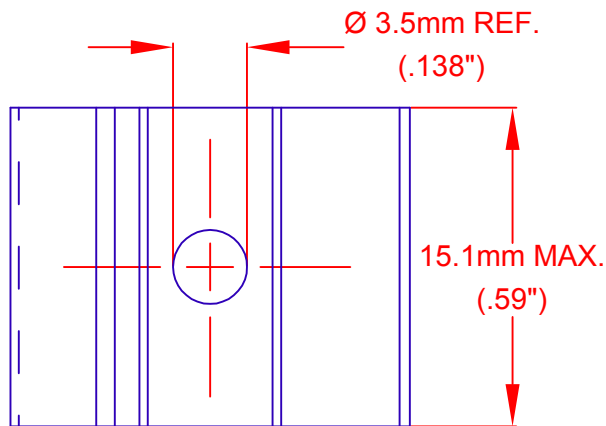
Email & Skype: info@chipsmall.com Web: www.chipsmall.com

Address: A1208, Overseas Decoration Building, #122 Zhenhua RD., Futian, Shenzhen, China



FEATURES

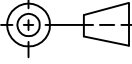
Mounting Clip for the ZFC-18C-PC
Polycarbonate LED Corner Channel Rails.



NOTES:

1. Use #5 Flat Head Screw for Mounting.
2. Operating Temperature -26 C to +100 C Degrees.
3. Material: Nickel Plated Steel.

JKL PART NUMBER: ZRC-18C-MC

			METRIC  THIRD ANGLE PROJECTION		DIMENSIONS ARE IN MILLIMETERS (INCHES) TOLERANCE UNLESS OTHERWISE SPECIFIED 1 PL +/- REF. 2 PL +/- REF. ANGLE +/-		JKL COMPONENTS CORPORATION			
			DRAWN BY L. WENGSTROM		APPV'D BY L.R.		DATE 11/11/15		TITLE METAL MOUNTING CLIP FOR LED CORNER CHANNEL RAIL	
B DIMENSION CHANGE 21 MAX TO 22 MAX A CHANGE HOLE DIAMETER TO 3.5mm RELEASE			11/11/15 7/7/15 6/22/15		SCALE A		FSCM NO. 55335		DRAWING NO. ZRC-18C-MC	
REV. NO. DESCRIPTION/ECO NUMBER APPVD DATE			- CAD DRAWING - MANUAL REVISIONS NOT PERMITTED		SCALE NONE		RELEASED DATE 6/22/15		REVISION DATE 11/11/15	
							REV. NO. B		SHEET 1 OF 1	