



Chipsmall Limited consists of a professional team with an average of over 10 year of expertise in the distribution of electronic components. Based in Hongkong, we have already established firm and mutual-benefit business relationships with customers from,Europe,America and south Asia,supplying obsolete and hard-to-find components to meet their specific needs.

With the principle of "Quality Parts,Customers Priority,Honest Operation,and Considerate Service",our business mainly focus on the distribution of electronic components. Line cards we deal with include Microchip,ALPS,ROHM,Xilinx,Pulse,ON,Everlight and Freescale. Main products comprise IC,Modules,Potentiometer,IC Socket,Relay,Connector.Our parts cover such applications as commercial,industrial, and automotives areas.

We are looking forward to setting up business relationship with you and hope to provide you with the best service and solution. Let us make a better world for our industry!



## Contact us

Tel: +86-755-8981 8866 Fax: +86-755-8427 6832

Email & Skype: info@chipsmall.com Web: www.chipsmall.com

Address: A1208, Overseas Decoration Building, #122 Zhenhua RD., Futian, Shenzhen, China



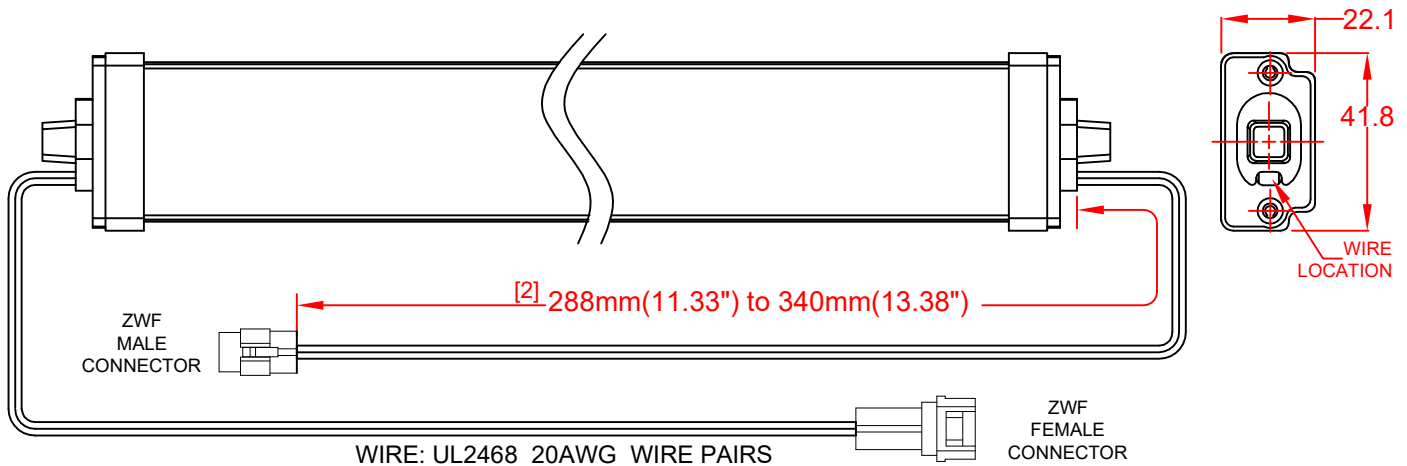
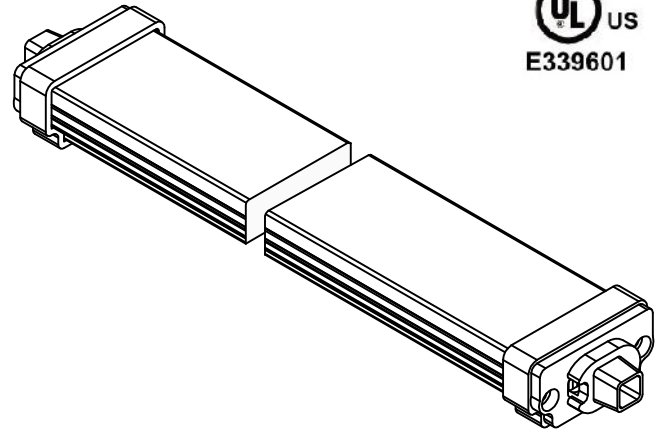
## Features

Rugged design with straightforward installation.  
 R17d Recessed Double Contact Base  
 24V DC design permits safe and easy Class II wiring.  
 Vertical or horizontal mounting.  
 Green, energy-saving alternative.  
 Optimized lens yields high brightness and uniformity.  
 Beam angle 160°.  
 UL Type C  
 5 year warranty.

## Maximum Ratings

Input Voltage: 24V DC ±10%  
 Life Time: 50,000 HRS (L70)  
 CCT 6500°K nominal  
 CRI: Ra80 or greater  
 IP Rating: IP67  
 Operating Temperature Range -40°C to +50°C  
 -40°F to +122°C

## T12 LED RETRO-FIT



## Electro-Optical Characteristics

JKL Part Number	Length (Inches)	Industry Standard	Power (W)	Current (A)	Lumen (lm)	Connection in Series (Max)
ZRF-24HO-CWA	21.91	2 Feet	6.4	0.268	740	12
ZRF-36HO-CWA	33.91	3 Feet	11.2	0.469	1295	8
ZRF-42HO-CWA	39.91	3.5 Feet	12.8	0.536	1480	7
ZRF-48HO-CWA	45.91	4 Feet	14.4	0.603	1665	6
ZRF-60HO-CWA	57.91	5 Feet	19.2	0.804	2220	5
ZRF-72HO-CWA	69.91	6 Feet	22.4	0.938	2590	4
ZRF-84HO-CWA	81.91	7 Feet	27.2	1.139	3145	3
ZRF-96HO-CWA	93.91	8 Feet	32.0	1.340	3700	3

## Accessories

ZWF-1000-I Input Connector  
 ZWF-CH-J Jumper Connector  
 MeanWell LPVL-150-24 Power Supply  
 (For 90 -132Vac input)  
 MeanWell LPV-150-24 Power Supply  
 (For 180 - 305Vac input)

B			METRIC		DIMENSIONS ARE IN mm (INCHES)		JKL COMPONENTS CORPORATION				
CHNG LENGTH OF WIRE , INCOMING INSPECT.			THIRD ANGLE PROJECTION		TOLERANCE UNLESS OTHERWISE SPECIFIED 1 PL +/- REF. 2 PL +/- REF. ANGLE +/-		TITLE T12 LED LAMP REPLACEMENT WITH CONNECTORS				
A CHANGE LENGTH OF WIRE			DRAWN BY L. WENGSTROM		APPV'D BY DATE L.R. 1/26/18		SIZE A	FSCM NO. 55335	DRAWING NO. ZRF-CWA MULTI		
RELEASED			8/30/17		- CAD DRAWING -		SCALE NONE	RELEASED DATE 8/30/17	REVISION DATE 1/26/18	REV. NO. B	SHEET 1 OF 1
REV. NO.	DESCRIPTION/ECO NUMBER	APPV'D DATE	MANUAL REVISIONS NOT PERMITTED								