



Chipsmall Limited consists of a professional team with an average of over 10 year of expertise in the distribution of electronic components. Based in Hongkong, we have already established firm and mutual-benefit business relationships with customers from,Europe,America and south Asia,supplying obsolete and hard-to-find components to meet their specific needs.

With the principle of “Quality Parts,Customers Priority,Honest Operation,and Considerate Service”,our business mainly focus on the distribution of electronic components. Line cards we deal with include Microchip,ALPS,ROHM,Xilinx,Pulse,ON,Everlight and Freescale. Main products comprise IC,Modules,Potentiometer,IC Socket,Relay,Connector.Our parts cover such applications as commercial,industrial, and automotives areas.

We are looking forward to setting up business relationship with you and hope to provide you with the best service and solution. Let us make a better world for our industry!



Contact us

Tel: +86-755-8981 8866 Fax: +86-755-8427 6832

Email & Skype: info@chipsmall.com Web: www.chipsmall.com

Address: A1208, Overseas Decoration Building, #122 Zhenhua RD., Futian, Shenzhen, China



MODEL ZR - C-FACE ENCODER WITH NPN OPEN COLLECTOR OUTPUT



- THRU-SHAFT DESIGN FOR EASY MOUNTING
- EXCELLENT CHOICE FOR VECTOR MOTOR DRIVE CONTROL
- DESIGNED FOR INDUSTRIAL ENVIRONMENTS
- QUADRATURE OUTPUT
- POSITIVE INDEX PULSE
- C-FACE GASKET KIT INCLUDED

DESCRIPTION

The Model ZR C-face encoder is a rugged, high resolution, high temperature (100°C) encoder designed to mount directly on NEMA C-face motors. The ZR contains a precision bearing and internal coupling that virtually eliminates inaccuracies induced by motor shaft runout. This encoder is ideal for applications using high performance AC vector motors.

The thru-shaft design allows fast and simple mounting of the encoder directly to the accessory shaft or to the drive shaft of the motor, using the standard motor face (NEMA sizes 56C, 143TC, 145TC, 182C, 184C). The tough anodized aluminum housing with thru-shaft design resists the vibration and hazards of an industrial environment. In addition, a C-face gasket kit is included free for motor shaft protection and enclosure.

Open Collector Output Wiring

The ZR series of sensors have open collector outputs. An open collector output brings the uncommitted collector of the encoder switching device to the external world. Because the collector element is not associated with the sensor supply voltage, the sensor output collector may be "pulled up" to external voltages different than the encoder supply voltage (40 VDC maximum). NPN open collector outputs are current sinking devices. An output signal will not be generated unless a pull-up resistor is connected from the open-collector to the positive side of an external supply. The same supply can be used for powering the unit and for the pull-up resistor.

SPECIFICATIONS

ELECTRICAL SPECIFICATIONS

1. **SUPPLY:** 4.75 to 28 VDC, 40 mA current draw typical, 100 mA maximum.
2. **OUTPUT:** NPN Open Collector transistor, $V_{OH} = 40$ VDC max.; 100 mA max. current. Incremental - two square waves in quadrature with A leading B for clockwise rotation. Positive pulse index.
3. **CYCLES PER REVOLUTION:** 256 or 1024
Note: Review the max. input rate of the RLC counter being used. The high output rate of the 1024 version will quickly reach the max. input capability of RLC quadrature counters. At 1024 PPR, high pulse rates are reached at low RPM.
4. **MAX. FREQUENCY:** 200 KHz
5. **NOISE IMMUNITY:** Tested to BS EN61000-4-2; IEC801-3; BS EN61000-4-4; DENV 50141; DENV 50204; BS EN55022; BS EN61000-6-2; BS EN55081-2
6. **SYMMETRY:** 180° ($\pm 18^\circ$) electrical
7. **QUAD PHASING:** 90° (+22.5) electrical
8. **MIN EDGE SEP:** 67.5° electrical
9. **RISE TIME:** Less than 1 microsecond

MECHANICAL SPECIFICATIONS

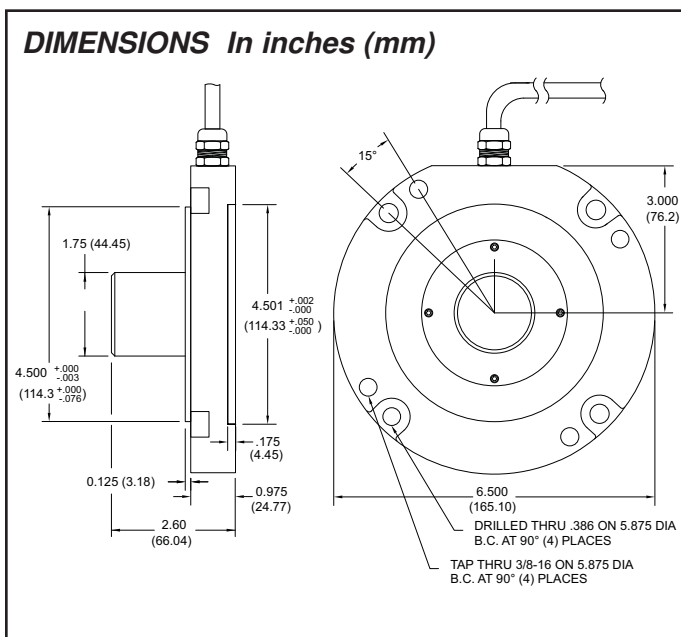
1. **MAX MECHANICAL SPEED:** 6000 RPM
2. **BORE DIAMETER:** 0.625" or 1.0"
3. **BORE TOLERANCE:** +0.0015"/-0.000"
4. **MOMENT OF INERTIA:** 3.3×10^{-3} oz-in-sec² typical
5. **USER SHAFT TOLERANCES:**
 Radial Runout: 0.005"
 Axial Endplay: ± 0.015 "
6. **ELECTRICAL CONNECTION:** 36" (914.4 mm) cable. 24 AWG foil and braid shield.

FUNCTION	WIRE COLOR
+ VDC	RED
COMMON	BLACK
DATA A	WHITE
DATA B	GREEN
INDEX Z	ORANGE

7. **HOUSING:** All metal construction.
8. **MOUNTING:** NEMA 56C to 184C when proper bore size is selected
9. **WEIGHT:** 2.60 lb. (1.18 Kg) typical

ENVIRONMENTAL CONDITIONS

1. **OPERATING TEMPERATURE:** 0 to +100°C @ 4.75 to 24 VDC
 0 to +70°C @ 4.75 to 28 VDC
2. **STORAGE TEMPERATURE:** -25 to +100°C
3. **HUMIDITY:** 98% RH non-condensing
4. **VIBRATION:** 10 g @ 58 to 500 Hz
5. **SHOCK:** 50 g @ 11 msec duration
6. **SEALING:** IP65 with included shaft cover and gaskets installed.



MOUNTING INSTRUCTIONS

Mounting Kit Items Included:

- 4 ea. - 3/8" 16 x 1.0" Length Socket Head Cap Screws, Black Alloy.
- 4 ea. - 3/8" High Collar Spring Lock washer, Steel Zinc.
- 1 ea. 3/32" Hex Allen Wrench, Long arm.

Note: The ZR encoder can mount to many types of C face devices. In these mounting instructions, we will refer to the device as a motor.

Step 1

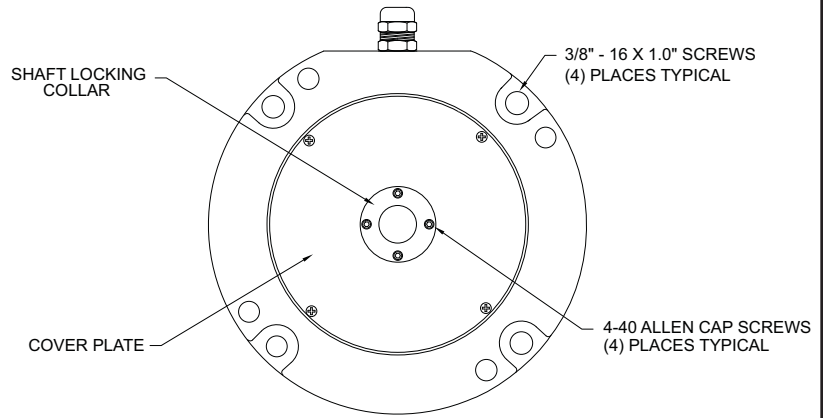
After carefully unpacking the unit, inspect to insure the motor shaft is the correct size and free of all burrs or aberrations. Slide the ZR Encoder over the motor shaft. **DO NOT USE EXCESSIVE FORCE:** There is a rubber O-ring in the Encoder locking collar that will provide a small amount of resistance as it engages the shaft. If the encoder does not slide easily See Note 1 below.

Step 2

Install the four 3/8" 16 x 1.0" socket head cap screws with lock washers through the holes in the Encoder C face and tighten securely to the motor.

Step 3

Insure the shaft locking collar is flush with the Encoder cover plate. Prevent the motor shaft from turning (See Note 2 for additional information) and tighten the four 4-40 Allen head cap screws in the locking collar evenly in a crossing pattern. See Figure 1. Make sure the screws are securely tightened and the front of the locking collar remains flush with the encoder cover plate. If the collar does not turn true when the motor shaft is rotated, loosen the four screws and repeat the procedure.



In Case of Difficulty:

Note 1: Make sure the four 4-40 Allen head cap screws in the front of the Encoder locking collar are loose and the collar is not cocked or jammed. Clean the shaft of any burrs using fine crocus cloth. The O- ring in the Encoder locking collar may need a small amount of additional lubrication.

Note 2: When tightening the screws in the locking collar avoid holding the motor shaft with anything that may scar or burr the shaft.

ORDERING INFORMATION

MODEL NO.	DESCRIPTION	PPR	BORE SIZE	PART NUMBER
ZR	NEMA C Face Encoder 56C to 184C (Must select proper bore size)	256	0.625	ZRJ0256A
		1024	0.625	ZRJ1024A
		256	1.0	ZRL0256A
		1024	1.0	ZRL1024A
		256	0.875	ZRI0256A *
		1024	0.875	ZRI1024A *

* Replaces ARC1. Available by special order, consult factory.

LIMITED WARRANTY

The Company warrants the products it manufactures against defects in materials and workmanship for a period limited to two years from the date of shipment, provided the products have been stored, handled, installed, and used under proper conditions. The Company's liability under this limited warranty shall extend only to the repair or replacement of a defective product, at The Company's option. The Company disclaims all liability for any affirmation, promise or representation with respect to the products.

The customer agrees to hold Red Lion Controls harmless from, defend, and indemnify RLC against damages, claims, and expenses arising out of subsequent sales of RLC products or products containing components manufactured by RLC and based upon personal injuries, deaths, property damage, lost profits, and other matters which Buyer, its employees, or sub-contractors are or may be to any extent liable, including without limitation penalties imposed by the Consumer Product Safety Act (P.L. 92-573) and liability imposed upon any person pursuant to the Magnuson-Moss Warranty Act (P.L. 93-637), as now in effect or as amended hereafter.

No warranties expressed or implied are created with respect to The Company's products except those expressly contained herein. The Customer acknowledges the disclaimers and limitations contained herein and relies on no other warranties or affirmations.

Red Lion Controls
Headquarters
20 Willow Springs Circle
York PA 17406
Tel + 1 (717) 767-6511
Fax + 1 (717) 764-0839

Red Lion Controls
Europe
Printerweg 10
NL - 3821 AD Amersfoort
Tel + 31 (0) 334 723 225
Fax + 31 (0) 334 893 793

Red Lion Controls
India
54, Vishvas Tenement
GST Road, New Ranip,
Ahmedabad-382480 Gujarat, India
Tel + 91 987 954 0503
Fax + 91 79 275 31 350

Red Lion Controls
China
Unit 101, XinAn Plaza
Building 13, No.99 Tianzhou Road
ShangHai, P.R. China 200223
Tel + 86 21 6113-3688
Fax + 86 21 6113-3683