



Chipsmall Limited consists of a professional team with an average of over 10 year of expertise in the distribution of electronic components. Based in Hongkong, we have already established firm and mutual-benefit business relationships with customers from,Europe,America and south Asia,supplying obsolete and hard-to-find components to meet their specific needs.

With the principle of "Quality Parts,Customers Priority,Honest Operation,and Considerate Service",our business mainly focus on the distribution of electronic components. Line cards we deal with include Microchip,ALPS,ROHM,Xilinx,Pulse,ON,Everlight and Freescale. Main products comprise IC,Modules,Potentiometer,IC Socket,Relay,Connector.Our parts cover such applications as commercial,industrial, and automotives areas.

We are looking forward to setting up business relationship with you and hope to provide you with the best service and solution. Let us make a better world for our industry!



Contact us

Tel: +86-755-8981 8866 Fax: +86-755-8427 6832

Email & Skype: info@chipsmall.com Web: www.chipsmall.com

Address: A1208, Overseas Decoration Building, #122 Zhenhua RD., Futian, Shenzhen, China



8mm X 480mm LED LIGHT BAR

Features

VOLTAGE: 12V DC
 CURRENT: 200mA
 LED VIEW ANGLE (2 θ 1/2): 120°
 30 LED'S PER BAR



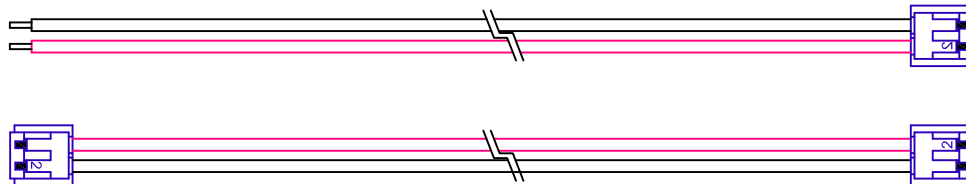
Maximum Ratings

Parameter	Symbol	Rating	Units
Forward Current	IF	200	mA
Power Dissipation	PD	2.4	W
Electrostatic Discharge	ESD	800	V
Operating Temperature	Topr	-25~+60	°C
Storage Temperature	Tstg	-40~+80	°C

Accessories

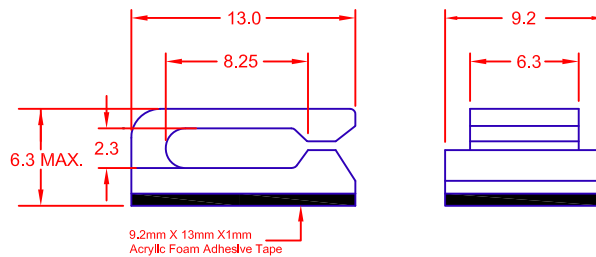
ZPS-1220 12V, 20 Watt Power Supply
 ZPS-1225 12V, 25 Watt Power Supply
 ZPS-1235 12V, 35 Watt Power Supply
 ZPS-1260 12V, 60 Watts Power Supply
 ZDM-01 PWM LED Dimmer
 Note: ZPS-1220, ZPS-1235 and ZPS-1260 require use of wire nuts for connections.

Mating Components



ZCH-200-I:
Solderless Input Connector

 ZCH-101-J
Solderless Joiner Connector



ZRC-8B
Mounting Clip

ATTENTION



OBSERVE PRECAUTION FOR HANDLING ELECTROSTATIC DISCHARGE SENSITIVE DEVICES

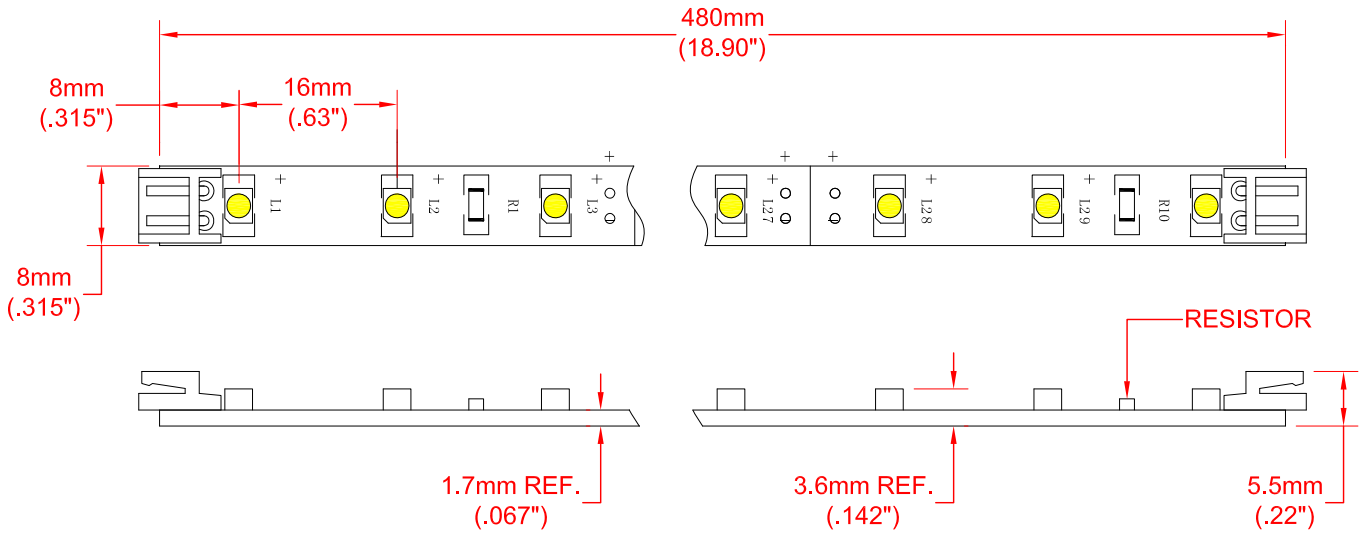
NOTE: Please refer to JKL Application Sheet JKL-AS-ZRS-LED-BARS for Installation and Power Recommendations.

JKL PART NO.: ZRS-8480 MULTI

METRIC THIRD ANGLE PROJECTION		DIMENSIONS ARE IN MILLIMETER (INCH) TOLERANCE UNLESS OTHERWISE SPECIFIED 1 PL +/- REF. 2 PL +/- ANGLE +/-		JKL COMPONENTS CORPORATION			
DRAWN BY L. WENGSTROM		APPV'D BY DATE S.C. 6/2/14		TITLE 8mm X 480mm LED LIGHT BAR			
CHANGE MOUNTING CLIP PART NO. 6/2/14 RELEASE 9/12/11		- CAD DRAWING - MANUAL REVISIONS NOT PERMITTED		SIZE A FSCM NO. 55335 DRAWING NO. ZRS-8480 MULTI			
REV. NO.	DESCRIPTION/ECO NUMBER	APPV'D DATE	SCALE	RELEASED DATE	REVISION DATE	REV. NO.	SHEET
			NONE	9/12/11	6/2/14	A	1 OF 2

8mm X 480mm LED LIGHT BAR

Dimensions



Electro-Optical Characteristics (Ta = 25°C)

JKL Part Number	Color	Number of LED's	Input Voltage (V DC)	Power (W)	Current (mA)	Radiance Angle	CCT (K)	Lumen Flux (lm)
ZRS-8480-CW	Cool White	30	12	2.4	200	120°	6000	90
ZRS-8480-NW	Neutral White	30	12	2.4	200	120°	4100	84
ZRS-8480-WW	Warm White	30	12	2.4	200	120°	3050	70

Circuit Diagram

