



Chipsmall Limited consists of a professional team with an average of over 10 year of expertise in the distribution of electronic components. Based in Hongkong, we have already established firm and mutual-benefit business relationships with customers from,Europe,America and south Asia,supplying obsolete and hard-to-find components to meet their specific needs.

With the principle of “Quality Parts,Customers Priority,Honest Operation,and Considerate Service”,our business mainly focus on the distribution of electronic components. Line cards we deal with include Microchip,ALPS,ROHM,Xilinx,Pulse,ON,Everlight and Freescale. Main products comprise IC,Modules,Potentiometer,IC Socket,Relay,Connector.Our parts cover such applications as commercial,industrial, and automotives areas.

We are looking forward to setting up business relationship with you and hope to provide you with the best service and solution. Let us make a better world for our industry!



Contact us

Tel: +86-755-8981 8866 Fax: +86-755-8427 6832

Email & Skype: info@chipsmall.com Web: www.chipsmall.com

Address: A1208, Overseas Decoration Building, #122 Zhenhua RD., Futian, Shenzhen, China



Interactive Catalog Replaces Catalog Pages

Honeywell Sensing and Control has replaced the PDF product catalog with the new **Interactive Catalog**. The **Interactive Catalog** is a power search tool that makes it easier to find product information. It includes more installation, application, and technical information than ever before.



**Click this icon to try the new
Interactive Catalog.**

Sensing and Control

Honeywell Inc.

11 West Spring Street

Freeport, Illinois 61032

ZS-00361 SERIES

ONE PART M12 PROXIMITY SENSOR

Description :

Environment-proof self-contained proximity sensor enclosed in a rugged hermetically sealed ceramic/stainless steel housing, designed to meet the requirements of ground mobile and naval applications.

Operation by the Eddy Current Killed Oscillator (ECKO) principle, which is used to detect metallic objects passing in front of the sensing face. Once a target metal is detected, a trigger signal is produced which is then passed through the output conditioning circuitry to give a high or low output, depending on the sensor application.



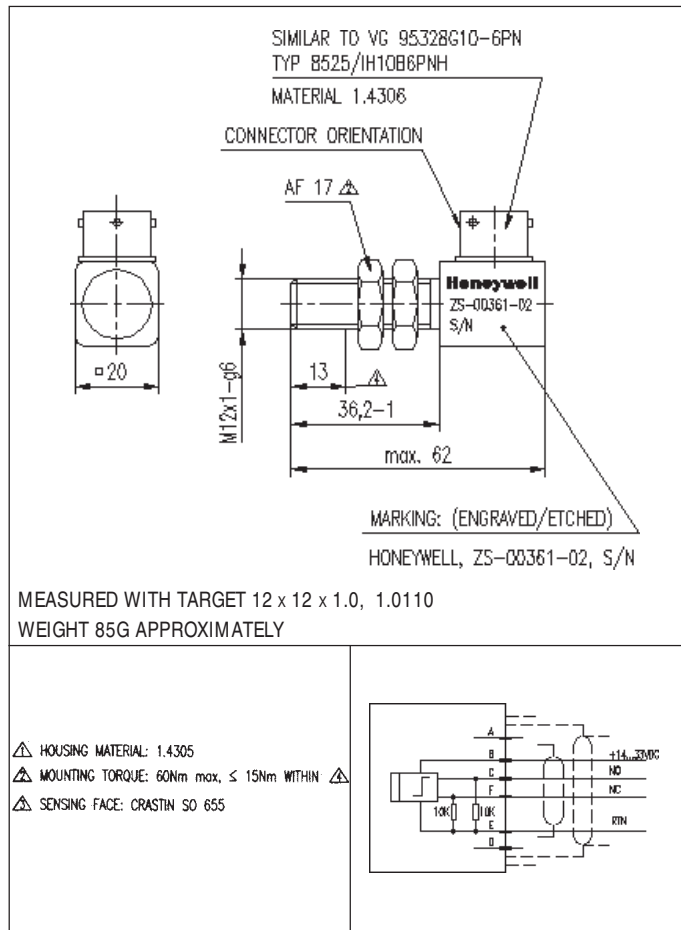
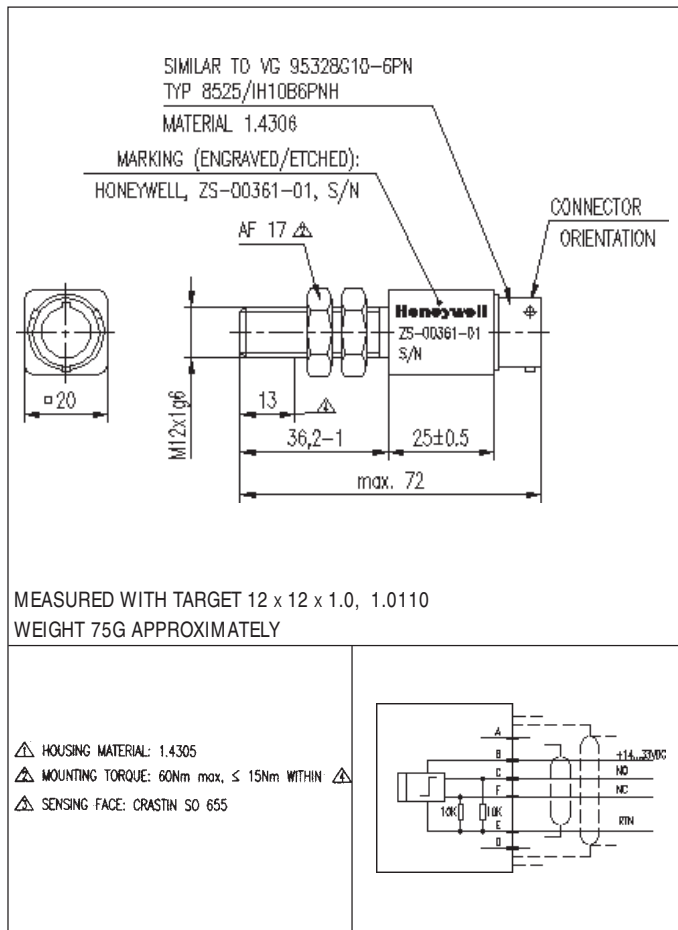
Features :

- All metal sensing
- Small size M12 housing
- Integral VG95328 connector
- High level of electronics protection

Typical Applications :

- Ship gun controls
- Door and hatch open/closed monitoring
- Aircraft carrier landing platforms

Dimensions in mm (for reference only)



Specifications

Sensing Characteristics :		
	Level	Specification (Note 1)
Nominal sensing distance	2 mm	
Effective sensing distance	1.8 to 2.2 mm	
Differential travel	1 to 15 %	
Minimum operating distance	1.70 mm	
Maximum release distance	3.17 mm	
Reproduceability	≤ 10 %	
Repetition rate of sensing	2000 Hz	
Power on delay	≤ 10 ms	
Power-on false pulse	t _{fp} 30% ≤ 25 at R _i = 1 kOhm	
Electrical Specifications :		
Power Supply -		
Supply voltage	14 to 33 V	
Ripple voltage	≤ 7 V	MIL-STD-1275 A (AT)
Surge voltage	100 V in 50 ms	MIL-STD-1275 A (AT)
Transients	250 V in 50 μs	MIL-STD-1275 A (AT)
Burden current	≤ 20 mA	
Output -		
Voltage drop	≤ 3 V	
Residual current	≤ 100 μA	
Load current	≤ 80 mA	
Reverse polarity protection	yes	
Short circuit protection	yes	
Environmental Specifications :		
Operating temperature range	-25° to +85° C	IEC68-2-1 / IEC 68-2-2
Storage temperature	-40° to +100° C	IEC68-2-1 / IEC 68-2-2
Rapid change of temperature	-55° / +85° C 3 cycles	IEC68-2-14 Na
Vibration	10 to 500 Hz, 0.75/100 ms ⁻²	IEC68-2-6 Fc
Shock	4000 ms ⁻² /11ms	IEC68-2-27 Ea
Salt mist	pH 6.5-7.2 at +35° C	IEC68-2-11 Ka
Insulation resistance	≥ 50 MOhm at 500 Vdc	
Grounding resistance	≤ 5 mOhm at 100 mA	
Special Features :		
EMI (Note 2)	Class A3, A4	MIL-STD-461B
EMI (Note 2)	Category B	DEF 07-55, T2, S5
Mean Time Between Failure prediction	140000 hrs at 20°C GM application	MIL-HDBK 217E
Notes : 1. Unless otherwise stated, tested to or by similarity to Honeywell internal specifications 2. CE03, CS01, CS06, RE01, RE02, RS01, RS02, RS03, 50 kV/m, 130A/m		
Ordering guide		
Listing	Description	
ZS-00361-01	Normally open/Normally closed, current sourcing with axial connector	
ZS-00361-02	Normally open/Normally closed, current sourcing with right angled connector	