



Chipsmall Limited consists of a professional team with an average of over 10 year of expertise in the distribution of electronic components. Based in Hongkong, we have already established firm and mutual-benefit business relationships with customers from,Europe,America and south Asia,supplying obsolete and hard-to-find components to meet their specific needs.

With the principle of “Quality Parts,Customers Priority,Honest Operation,and Considerate Service”,our business mainly focus on the distribution of electronic components. Line cards we deal with include Microchip,ALPS,ROHM,Xilinx,Pulse,ON,Everlight and Freescale. Main products comprise IC,Modules,Potentiometer,IC Socket,Relay,Connector.Our parts cover such applications as commercial,industrial, and automotives areas.

We are looking forward to setting up business relationship with you and hope to provide you with the best service and solution. Let us make a better world for our industry!



Contact us

Tel: +86-755-8981 8866 Fax: +86-755-8427 6832

Email & Skype: info@chipsmall.com Web: www.chipsmall.com

Address: A1208, Overseas Decoration Building, #122 Zhenhua RD., Futian, Shenzhen, China



- ▶ Low Profile
- ▶ Wide Frequency range
- ▶ Extended temperature range
- ▶ Built-in load capacitance
- ▶ RoHS Compliant (Note 7 Exemption)

ZTT Series Ceramic Resonator

The ZTT Series ceramic resonator offers a wide frequency range and extended temperature range capabilities with built-in load capacitance.

OPERATING CONDITIONS / ELECTRICAL CHARACTERISTICS

PART NUMBER *	FREQUENCY RANGE (MHz)	FREQUENCY ACCURACY @ 25°C (%)	STABILITY IN TEMPERATURE -20~ +80°C (%)	AGING FOR TEN YEARS (%)	RESONANT RESISTANCE (Ω) MAX
ZTT□.□□MG	2.00 ~ 2.99	±0.5	±0.3	±0.3	80
ZTT□.□□MG	3.00 ~ 3.49	±0.5	±0.3	±0.3	50
ZTT□.□□MG	3.50 ~ 8.00	±0.5	±0.3	±0.3	30
ZTT□.□□MT	6.01 ~ 6.99	±0.5	±0.3	±0.3	30
ZTT□□.□□MT	7.00 ~ 13.00	±0.5	±0.3	±0.3	25
ZTT□□.□□MX	13.01 ~ 50.00	±0.5	±0.3	±0.3	30

- Withstanding voltage (5 seconds max.): 100V DC
- Insulation Resistance 100M Ω Min. (at 10 V DC)

PACKAGE DIMENSIONS (mm)

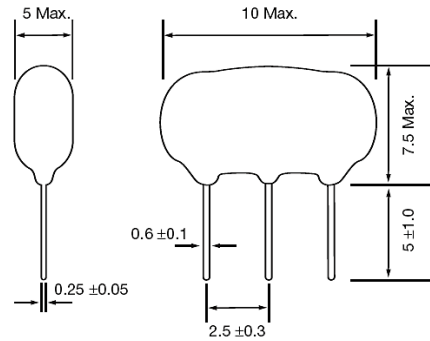


Figure 1) ZTT□.□□MG, Side and Front views

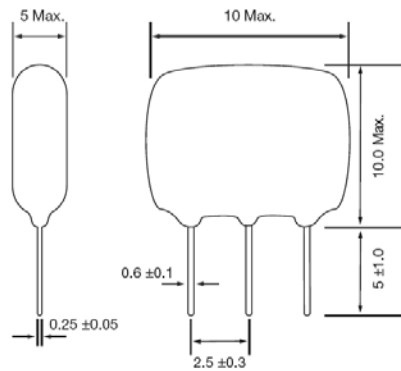


Figure 3) ZTT□.□□MT, MX Side and Front views

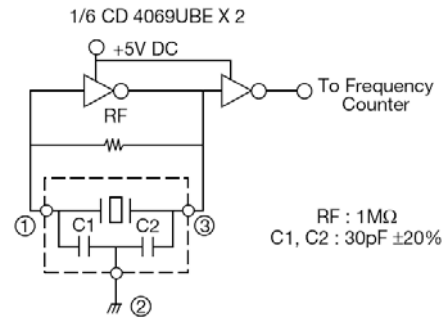


Figure 2) ZTT□.□□MG Test Circuit

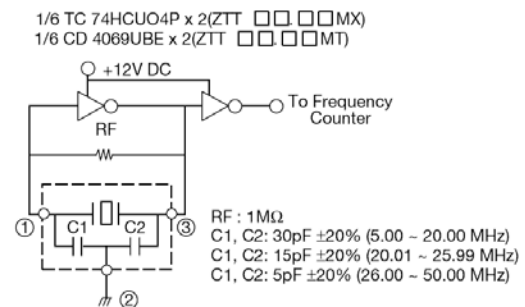
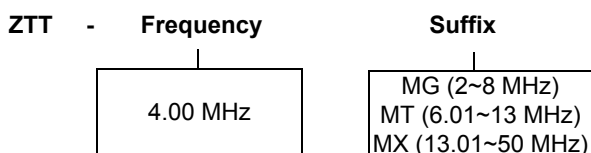


Figure 4) ZTT□.□□MT & ZTT□.□□MX Test Circuit

PART NUMBERING GUIDE: Example ZTT-4.00MG



Note: ECS does not approve the use of its products in Automotive, Military, Avionics, Life Sustaining or Life Support systems or any other related medical applications without written approval from ECS INC.