



Chipsmall Limited consists of a professional team with an average of over 10 year of expertise in the distribution of electronic components. Based in Hongkong, we have already established firm and mutual-benefit business relationships with customers from,Europe,America and south Asia,supplying obsolete and hard-to-find components to meet their specific needs.

With the principle of “Quality Parts,Customers Priority,Honest Operation,and Considerate Service”,our business mainly focus on the distribution of electronic components. Line cards we deal with include Microchip,ALPS,ROHM,Xilinx,Pulse,ON,Everlight and Freescale. Main products comprise IC,Modules,Potentiometer,IC Socket,Relay,Connector.Our parts cover such applications as commercial,industrial, and automotives areas.

We are looking forward to setting up business relationship with you and hope to provide you with the best service and solution. Let us make a better world for our industry!



Contact us

Tel: +86-755-8981 8866 Fax: +86-755-8427 6832

Email & Skype: info@chipsmall.com Web: www.chipsmall.com

Address: A1208, Overseas Decoration Building, #122 Zhenhua RD., Futian, Shenzhen, China



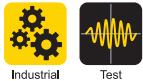
Zero up programmable power supplies

Features

- ◆ Constant Voltage / Constant Current
- ◆ Last Setting Memory
- ◆ Digital Meters
- ◆ Built-in RS232 & RS485 Interface
- ◆ Bench or Rack Mount
- ◆ Embedded Microprocessor Controller
- ◆ Voltage up to 120V, Current up to 132A



Key Market Segments & Applications



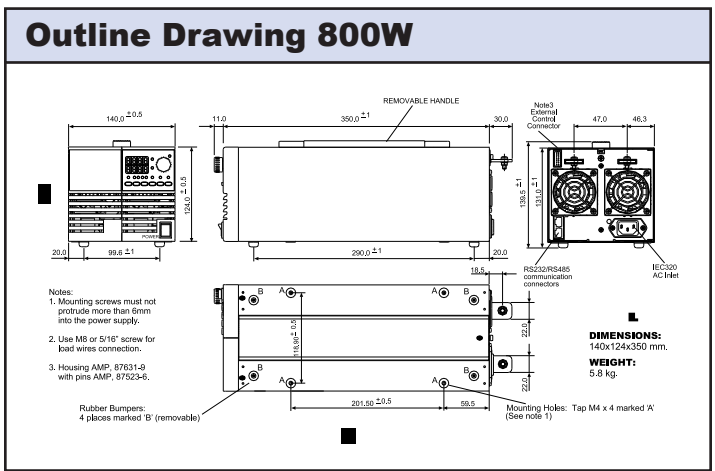
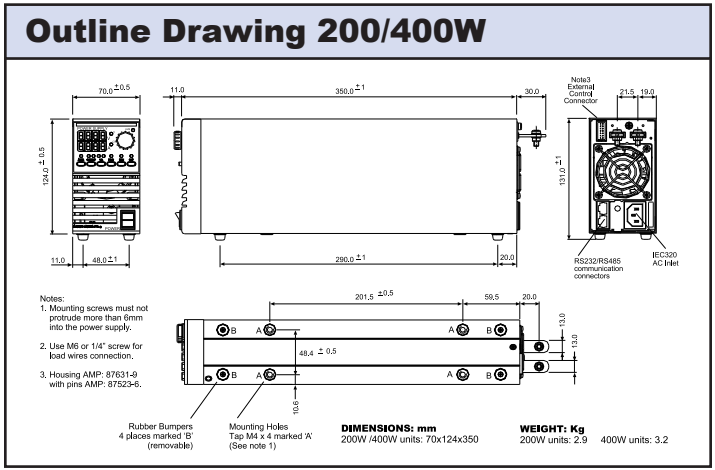
Specifications		ZUP6	ZUP10	ZUP20	ZUP36	ZUP60	ZUP80	ZUP120
Load Regulation	-	2mV + 0.005% over 0 - 100% load change						
Line Regulation	-	1mV + 0.005% over 85 - 132 or 170 - 265VAC line change						
Recovery Time (1)	ms	1ms	0.5ms	0.2ms				
Temperature Coefficient	-	30ppm/°C following 30 minute warm up						
Temperature Drift(2)	-	0.01% + 2mV change in output						
Up programming response time	ms	50 - 60ms					80ms	120ms
Down prog. resp. time (CV)	ms	50ms (70ms ZUP60-14)						
Down prog. resp. time (CV)	ms	250ms	350ms	400ms	500ms	750ms	600ms	800ms
Load Regulation	-	0.01% + 5mA on 200W and 400W models, 0.07% + 10mA on 800W models						
Line Regulation	-	0.01% + 2mA on 200W and 400W models, 0.01% + 5mA on 800W models						
Temperature Coefficient	-	100ppm/°C from rated current after 30 minute warm up time						
Temperature Drift(2)	-	0.02% + 5mA, 200W and 400W models, 0.05% + 10mA 800W models						
Prog Voltage resolution	-	Better than 0.028% of rated voltage						
Prog Voltage accuracy	mV	.02%+5mV	.02%+8mV	.02%+12mV	.02%+20mV	.02%+35mV	.02%+50mV	.02%+70mV
Prog Current resolution	-	Better than 0.03% of rated output current						
Prog Current accuracy	-	0.4% + 40mA						
Overvoltage Shutdown	V	0 - 7.5	0 - 13	0 - 24	0 - 40	0 - 66	0 - 88	0 - 132
Thermal Protection	-	Over temperature protected						
Display - Voltage	-	3 digits (6, 20, 36, 60, 80V models), 3.5 digits (10, 120V models). Accuracy 0.2% ± 2 digits						
Display - Current	-	3 digits, (3.5 digits 132A model). Accuracy 0.5% ± 3 digits						
Display - Status	-	CV / CC, Alarm, Foldback, Local/Remote, On/Off						
Remote On/Off	-	TTL signal or dry contact relay						
Output Good	-	Open Collector						
Voltage & Current Programming	-	By either Voltage (0-4V) or Resistance (0-4k)						
Remote Sense	-	Up to 0.5V compensation per output cable						
Communication Interface	-	RS232 & RS485 standard, IEEE488 optional						
Series & Parallel Operation	-	Series: Up to two units; Parallel: Up to five units in master-slave configuration						
AC Input Voltage range	VAC	85-265VAC (47-63Hz)						
Inrush Current (100/200VAC)(3)	A	15/30A, 200W models, 15A, 400W models, 30A, 800W models						
Hold Up Time (Typ) at 100VAC	ms	20						
Power Factor Correction	-	Complies with EN61000-3 Class A (0.99 typ)						
Temperature Range	-	Operating: 0 - 50°C; Storage: -20 to +70°C						
Humidity (non condensing)	-	Operating: 30 - 90% RH, Storage 10 - 95%RH						
Cooling	-	Internal fan						
Withstand Voltage	-	Input to Ground 2kVAC, Input to Output 3kVAC, Output to Ground 500VAC for 1 min.						
Isolation Resistance	-	>100M at 25°C & 70%RH						
Vibration & Shock (non-op.)	-	Vibration:10-55Hz(1 min.) 2G constant X, Y, Z, when correctly mounted; Shock: <20G						
Safety Agency Approvals	-	UL3111-1, EN61010-1, CE Mark						
Conducted & Radiated EMI	-	EN55022-B conducted, A radiated, FCC Class B conducted, A radiated, VCCI-2 conducted, -1 radiated						
Warranty	yrs	Three Years						

Notes: (1) Recovery to within +/-50mV after load change of 50-100% (2) Over 8 hour period following 30 minute warm up time
 (3) 25°C ambient (cold start)

Model Selector								
Model	Voltage Adjust Range	Current Adjust Range	Max Power	Ripple 5Hz-1MHz mV	Noise 20MHz BW mV	Ripple 5Hz-1MHz mA	Efficiency % (100/200VAC)	Weight kg
ZUP6-33/U	0-6	0-33	198	5	50	50	69 / 72	2.9
ZUP6-66/U	0-6	0-66	396	5	50	100	74 / 77	3.2
ZUP6-132/U	0-6	0-132	792	8	100	200	74 / 77	5.8
ZUP10-20/U	0-10	0-20	200	5	50	25	73 / 77	2.9
ZUP10-40/U	0-10	0-40	400	5	50	50	79 / 82	3.2
ZUP10-80/U	0-10	0-80	800	8	90	100	77 / 81	5.8
ZUP20-10/U	0-20	0-10	200	5	50	15	74 / 78	2.9
ZUP20-20/U	0-20	0-20	400	5	50	30	79 / 83	3.2
ZUP20-40/U	0-20	0-40	800	5	80	60	79 / 82	5.8
ZUP36-6/U	0-36	0-6	216	5	50	7.5	76 / 80	2.9
ZUP36-12/U	0-36	0-12	432	5	50	15	80 / 84	3.2
ZUP36-24/U	0-36	0-24	864	5	70	30	80 / 84	5.8
ZUP60-3.5/U	0-60	0-3.5	210	5	50	5	75 / 79	2.9
ZUP60-7/U	0-60	0-7	420	5	50	10	80 / 84	3.2
ZUP60-14/U	0-60	0-14	840	5	60	20	80 / 84	5.8
ZUP80-2.5/U	0-80	0-2.5	200	30	80	5	77 / 82	2.9
ZUP80-5/U	0-80	0-5	400	30	80	10	83 / 87	3.2
ZUP120-1.8/U	0-120	0-1.8	216	30	80	5	77 / 82	2.9
ZUP120-3.6/U	0-120	0-3.6	432	30	80	10	83 / 87	3.2

Options & Accessories		
Option	Model Suffix	Part Number
Front panel terminals (20A max) ⁵	/L ⁴	ZUP200/400/L ⁴
Front panel terminals (20A max) ⁶	/L ⁴	ZUP800/L ⁴
IEC320 cable USA plug	/U	ZUP/U
Serial link cable RJ-45	/W	ZUP/W
GPIO Controller		GP485A*
Dual Unit Assembly (accepts 200W or 400W models)		NL200
19" 3U rack (accepts up to 6 200/400W models)		NL100
Blanking panels for NL100 (19 in. rack)		NL101
RS232 Communications Cable DB-9		ZUP/NC401
RS232 Communications Cable DB-25		ZUP/NC403
RS485 Communications Cable DB-9		ZUP/NC402
RS485 Communications Cable DB-25		ZUP/NC404
User Manual		NL102

* Last time buy Sept 2016
⁴ Not available with ZUP80 or ZUP120 models.
⁵ 200W and 400W models
⁶ 800W models



For Additional Information, please visit www.tdk-lambda.com/lp/products/zup.htm

