



Chipsmall Limited consists of a professional team with an average of over 10 year of expertise in the distribution of electronic components. Based in Hongkong, we have already established firm and mutual-benefit business relationships with customers from,Europe,America and south Asia,supplying obsolete and hard-to-find components to meet their specific needs.

With the principle of “Quality Parts,Customers Priority,Honest Operation,and Considerate Service”,our business mainly focus on the distribution of electronic components. Line cards we deal with include Microchip,ALPS,ROHM,Xilinx,Pulse,ON,Everlight and Freescale. Main products comprise IC,Modules,Potentiometer,IC Socket,Relay,Connector.Our parts cover such applications as commercial,industrial, and automotives areas.

We are looking forward to setting up business relationship with you and hope to provide you with the best service and solution. Let us make a better world for our industry!



## Contact us

Tel: +86-755-8981 8866 Fax: +86-755-8427 6832

Email & Skype: info@chipsmall.com Web: www.chipsmall.com

Address: A1208, Overseas Decoration Building, #122 Zhenhua RD., Futian, Shenzhen, China



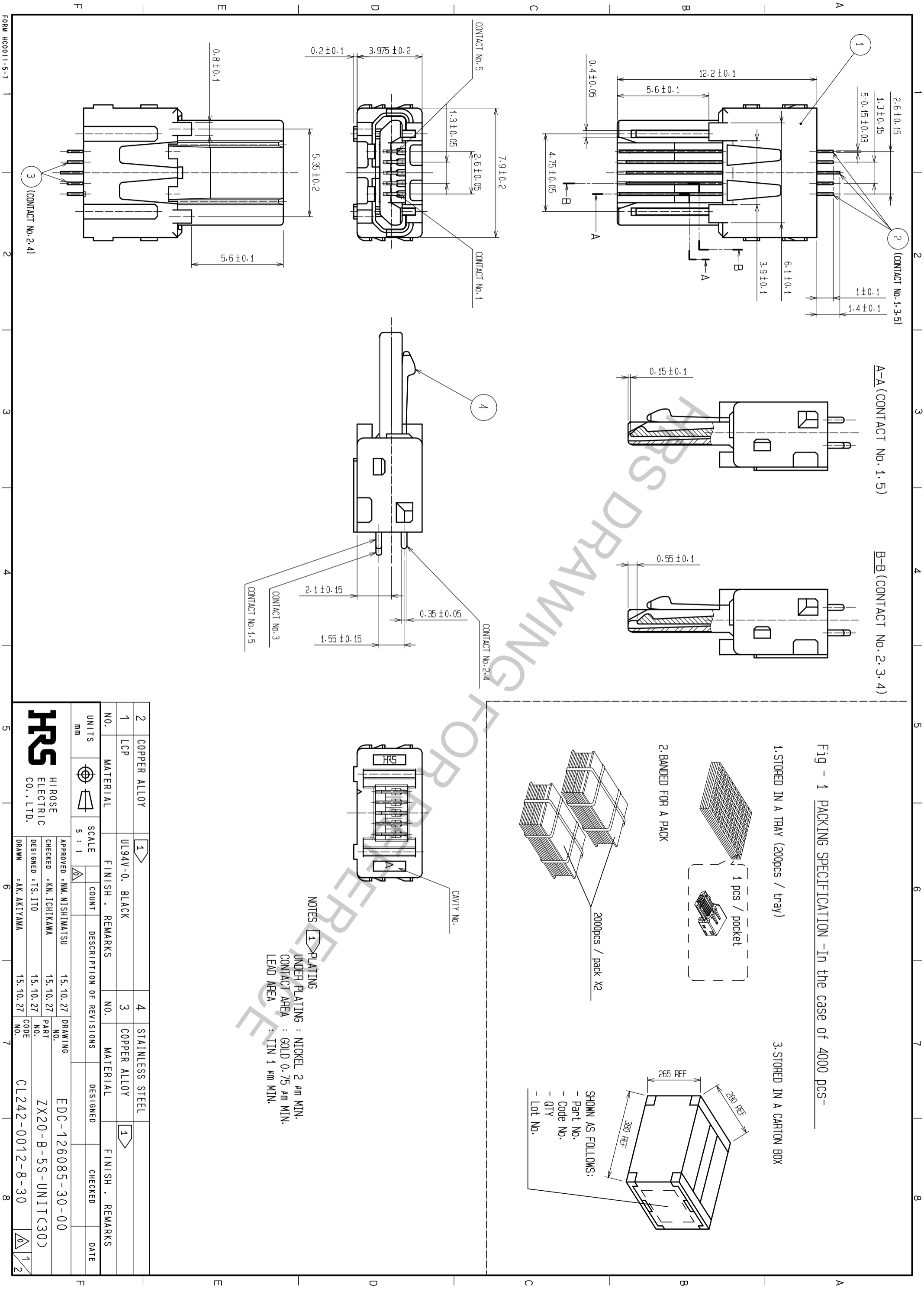
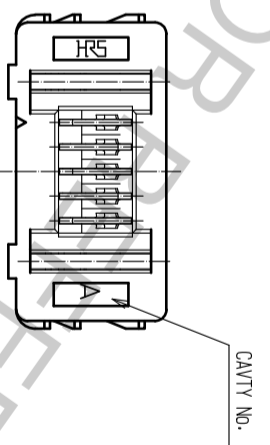
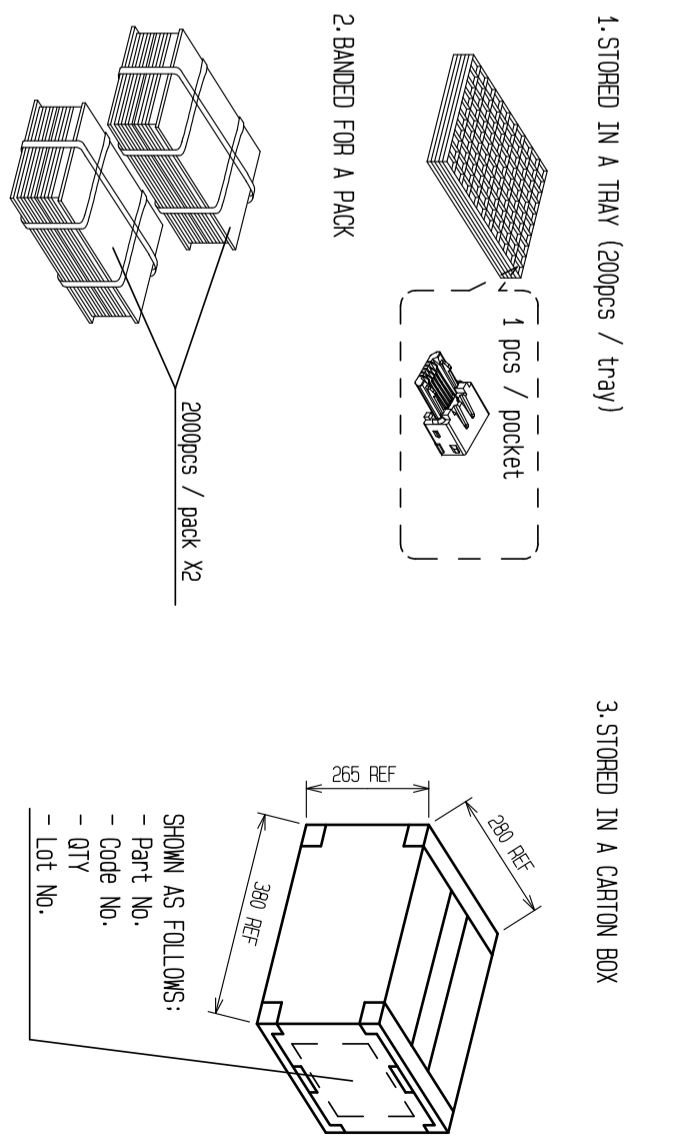


Fig - 1 PACKING SPECIFICATION -In the case of 4000 pcs-



NOTES

- PLATING UNDER PLATING : NICKEL 2 μm MIN. CONTACT AREA : GOLD 0.75 μm MIN. LEAD AREA : TIN 1 μm MIN.

2	COPPER ALLOY	1		4	STAINLESS STEEL
1	LCP	UL94V-0, BLACK		3	COPPER ALLOY
MATERIAL		FINISH, REMARKS		FINISH, REMARKS	
UNITS		SCALE	COUNT	DESCRIPTION OF REVISIONS	DESIGNED
mm		5 : 1			CHECKED
APPROVED : NM. NISHIMATSU		DRAWING NO.		EDC-126085-30-00	
CHECKED : KN. ICHIKAWA		PART NO.		ZX20-B-5S-UNIT(30)	
DESIGNED : TS. ITO		CODE		CL242-0012-8-30	
DRAWN : AK. AKIYAMA		NO.		1	

Fig-2 SHIELDING-PLATE ASSEMBLY

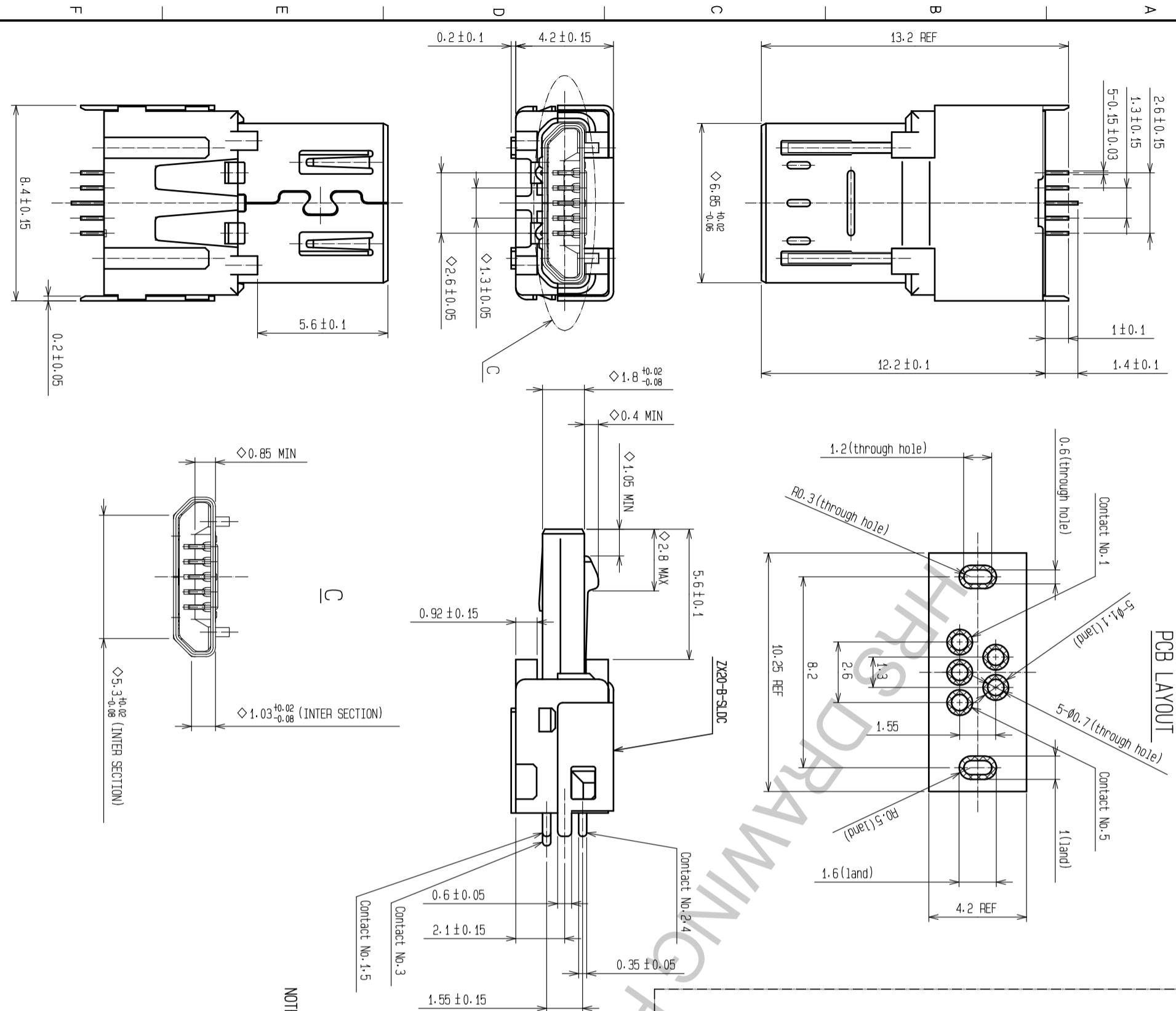
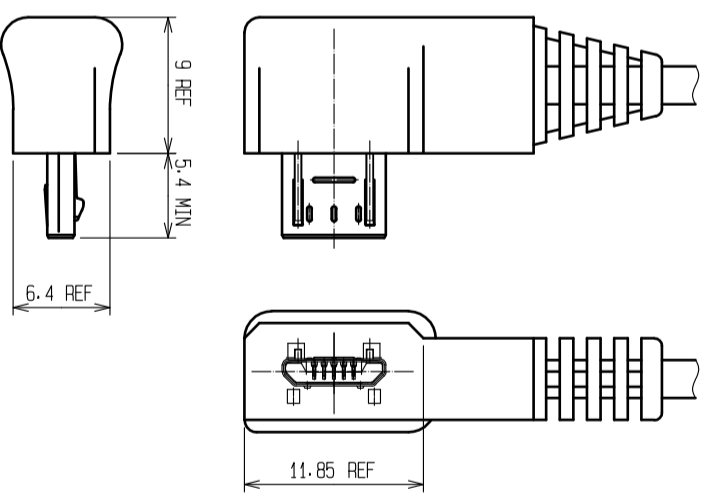


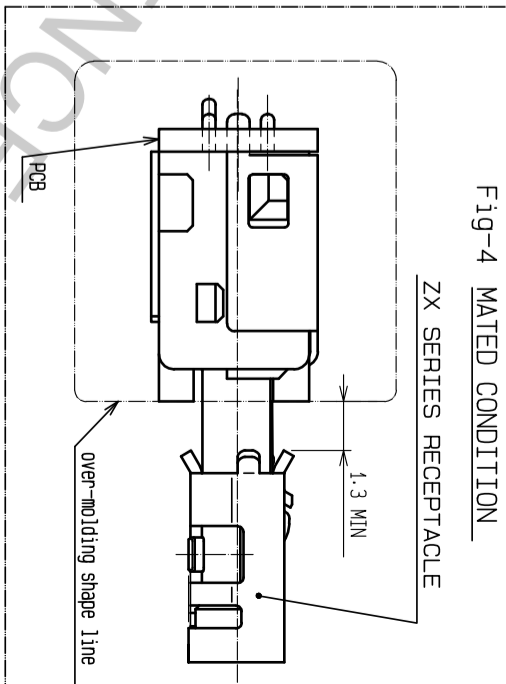
Fig-3 OVER-MOLDING (REFERENCE)



ZX20-B-SLDC  
Code No. CL242-0022-1

NOTE:  
- SOLD SEPARATELY  
- DELIVERED BY THE REEL

Fig-4 MATED CONDITION



NOTES  
2 SHIELDING-PLATE: ZX20-B-SLDC IS USED FOR ASSEMBLY.  
3. \*◇SYMBOL ADDED TO EACH DIMENSION MEANS CRITICAL DIMENSION ON USB SPECIFICATION. PLEASE CHECK THEM AFTER OVER-MOLDING.

FORM HC0011-5-8 1 2 3 4 5 6 7 8

<b>HRS</b>	DRAWING NO.	EDC-126085-30-00
	PART NO.	ZX20-B-5S-UNIT(30)
	CODE	CL242-0012-8-30
	NO.	2