



Chipsmall Limited consists of a professional team with an average of over 10 year of expertise in the distribution of electronic components. Based in Hongkong, we have already established firm and mutual-benefit business relationships with customers from,Europe,America and south Asia,supplying obsolete and hard-to-find components to meet their specific needs.

With the principle of “Quality Parts,Customers Priority,Honest Operation,and Considerate Service”,our business mainly focus on the distribution of electronic components. Line cards we deal with include Microchip,ALPS,ROHM,Xilinx,Pulse,ON,Everlight and Freescale. Main products comprise IC,Modules,Potentiometer,IC Socket,Relay,Connector.Our parts cover such applications as commercial,industrial, and automotives areas.

We are looking forward to setting up business relationship with you and hope to provide you with the best service and solution. Let us make a better world for our industry!



Contact us

Tel: +86-755-8981 8866 Fax: +86-755-8427 6832

Email & Skype: info@chipsmall.com Web: www.chipsmall.com

Address: A1208, Overseas Decoration Building, #122 Zhenhua RD., Futian, Shenzhen, China

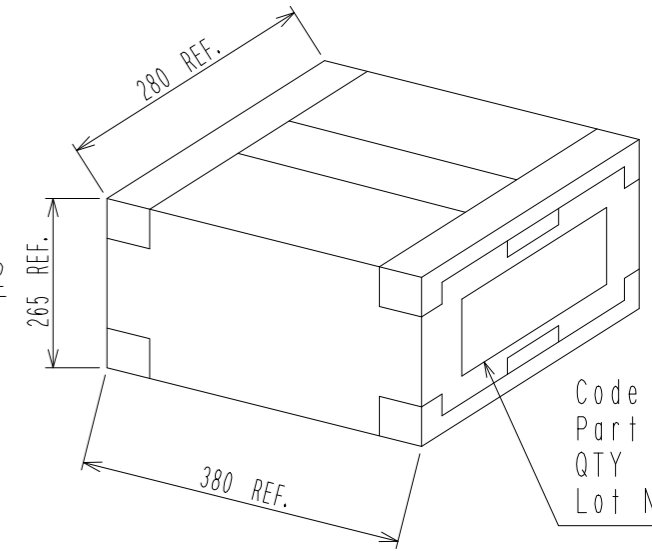
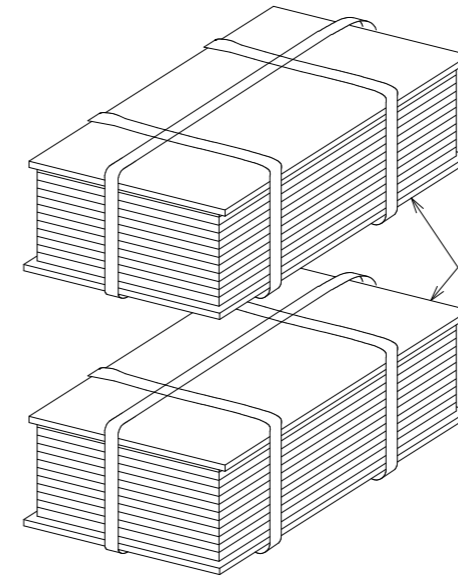
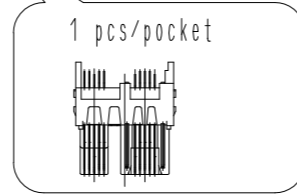
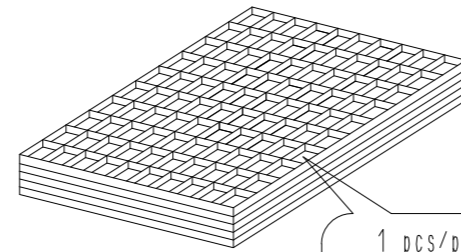


Fig-1 PACKING SPECIFICATION -IN THE CASE OF 2000 pcs-(FREE)

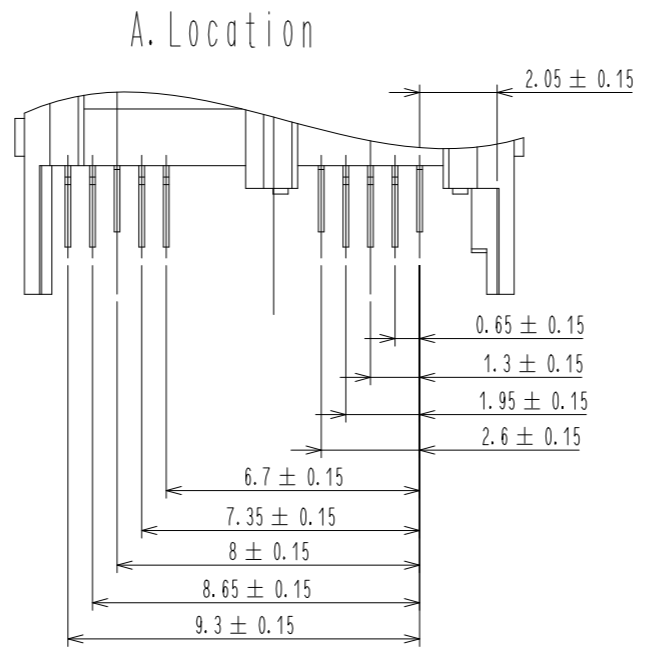
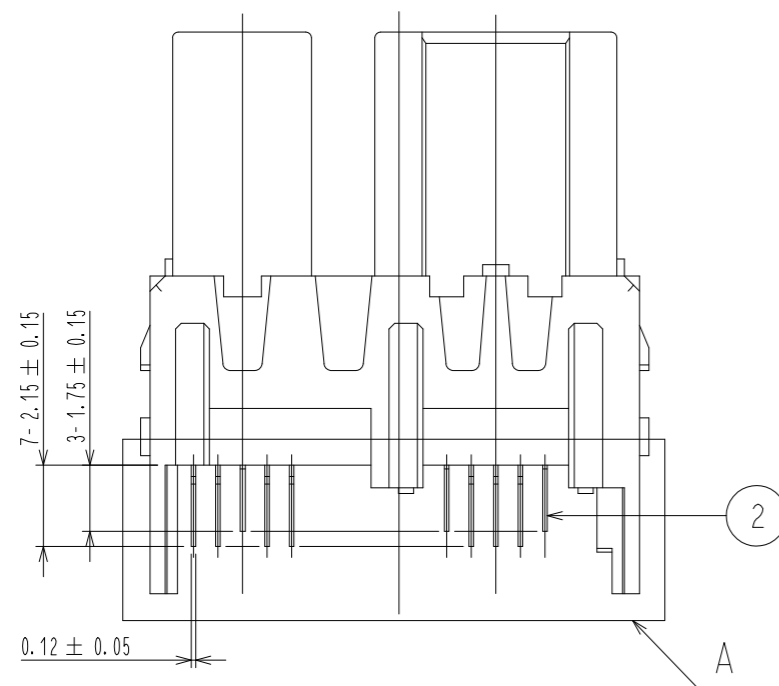
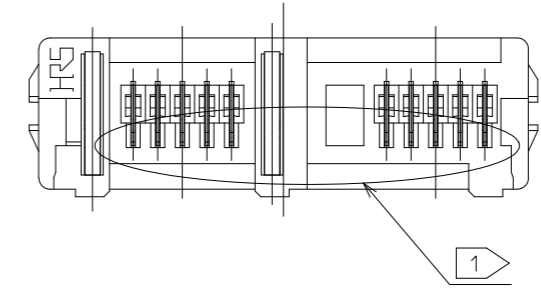
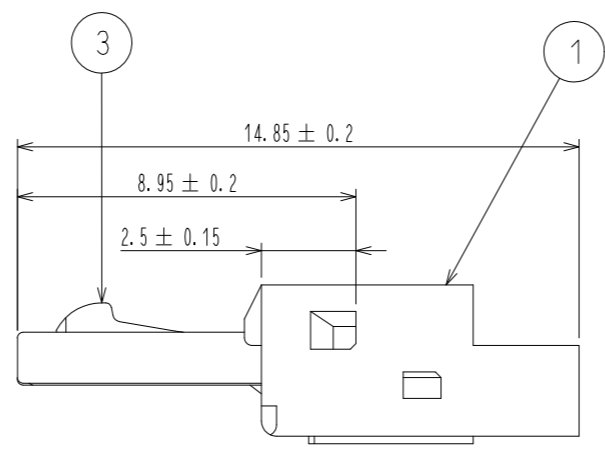
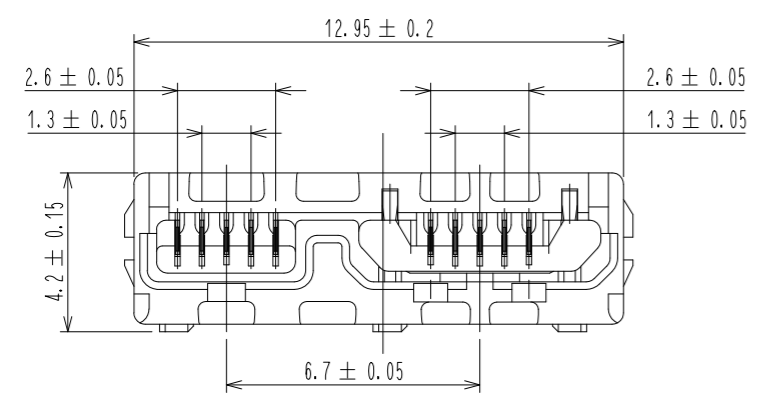
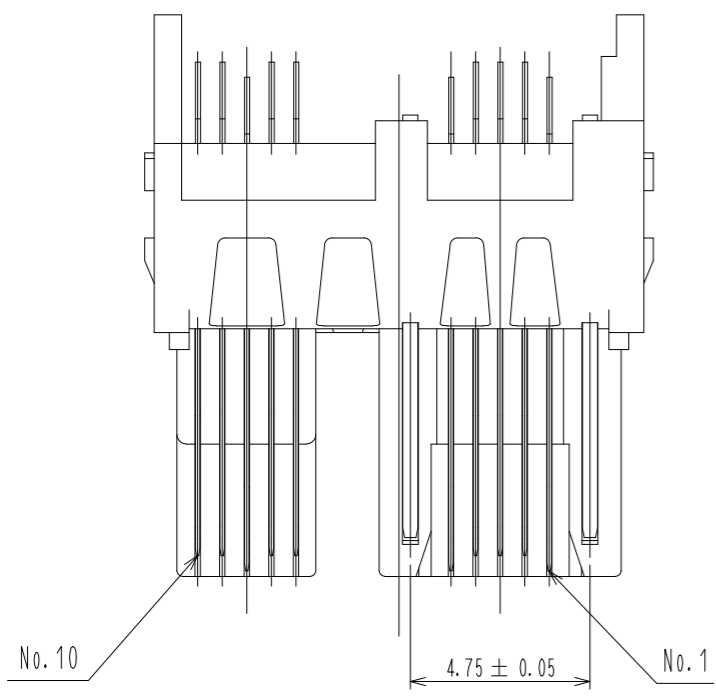
2. BIND THE TRAYS WITH CONNECTOR UNITS AS SHOWN BELOW.

3. SET THE TRAYS INSIDE THE CARDBOARD BOX.

1. PLACE THE CONNECTOR UNIT INTO THE TRAY.
(100 pcs per tray)



Code No.
Part No.
QTY
Lot No.

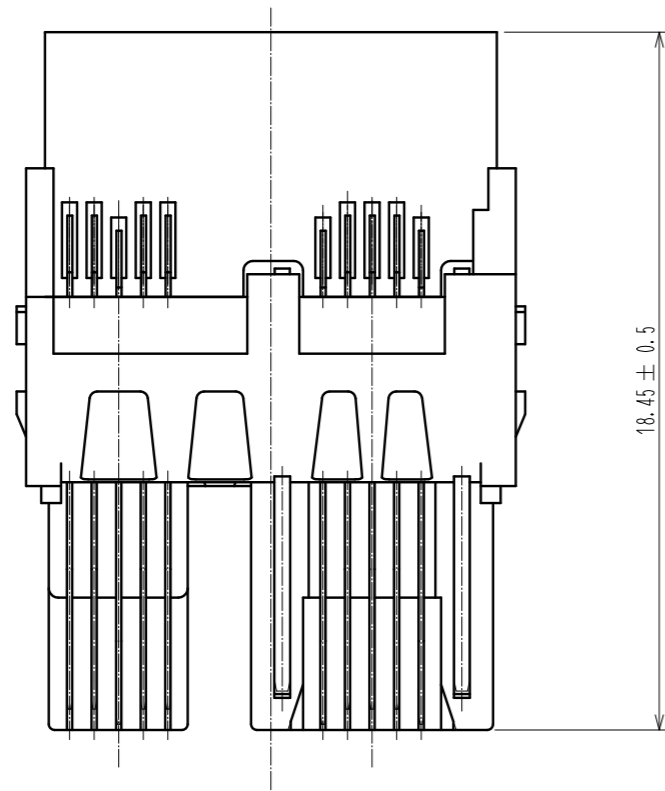


NOTES 1 CO-PLANARITY IS WITHIN 0.1mm

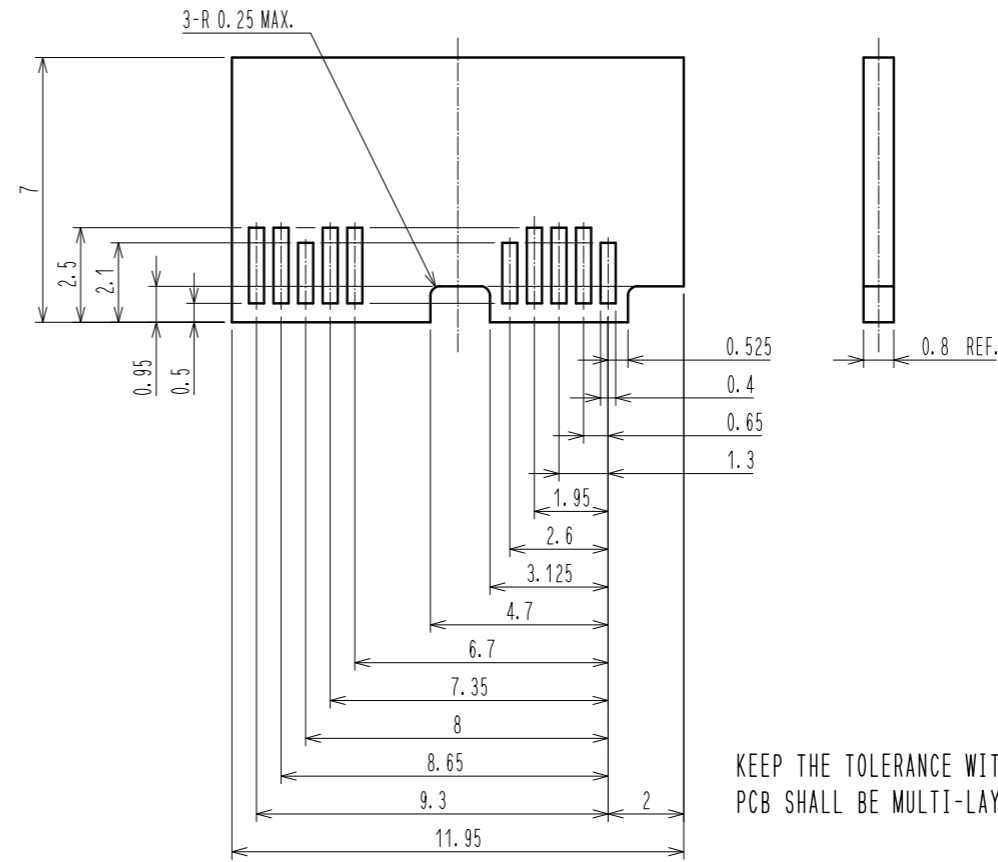
2. REFER TO ETAD-E2909 FOR CABLE ASSEMBLY PROCEDURES.

| 2 | COPPER ALLOY | CONTACT AREA:GOLD PLATING 0.75μm min MOUNTING AREA:TIN PLATING 1μm min UNDER PLATING:NICKEL PLATING 2μm min | 3 | STAINLESS STEEL | |
|-------------|--------------|---|--|--|---|
| 1 | LCP | UL94V-0 , BLACK | | | |
| NO. | MATERIAL | FINISH . REMARKS | NO. | MATERIAL | FINISH . REMARKS |
| UNITS mm | | SCALE 5 : 1 | | DESCRIPTION OF REVISIONS | DESIGNED CHECKED DATE |
| | | HIROSE ELECTRIC CO., LTD. | APPROVED : A0. SUZUKI CHECKED : KN. ICHIKAWA DESIGNED : TU. TANIGUCHI DRAWN : TU. TANIGUCHI | 10.08.07 10.08.07 10.08.07 10.08.07 | DRAWING NO. EDC3-127029-00 PART NO. ZX360-B-10S-UNIT CODE NO. CL242-0501-4-00 |

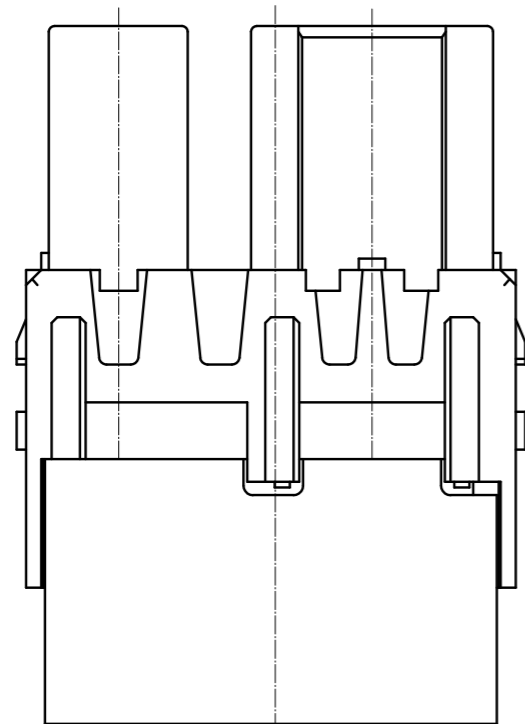
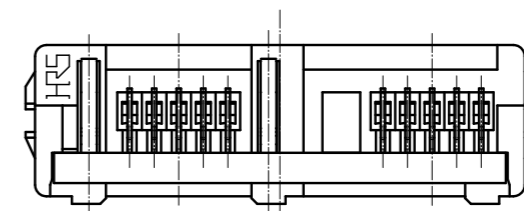
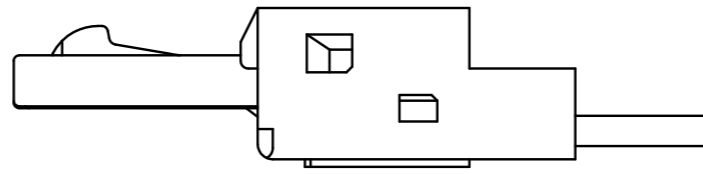
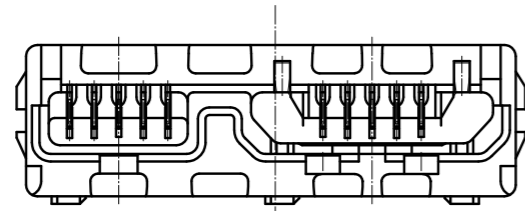
Fig-2. CONNECTOR MOUNTED ON PCB



PCB LAYOUT FOR REFERENCE



KEEP THE TOLERANCE WITHIN MAX±0.05
PCB SHALL BE MULTI-LAYER PCB INCLUDING FULL GROUND LAYER.



| | | |
|------------|-------------|------------------|
| HRS | DRAWING NO. | EDC3-127029-00 |
| | PART NO. | ZX360-B-10S-UNIT |
| | CODE NO. | CL242-0501-4-00 |
| | | △ 2/3 |

Fig-3 SHIELDING-PLATE ASSEMBLY

OVER-MOLDING (REFERENCE) (FREE)

ZX360-B-SLDA(SOLD SEPARATELY)

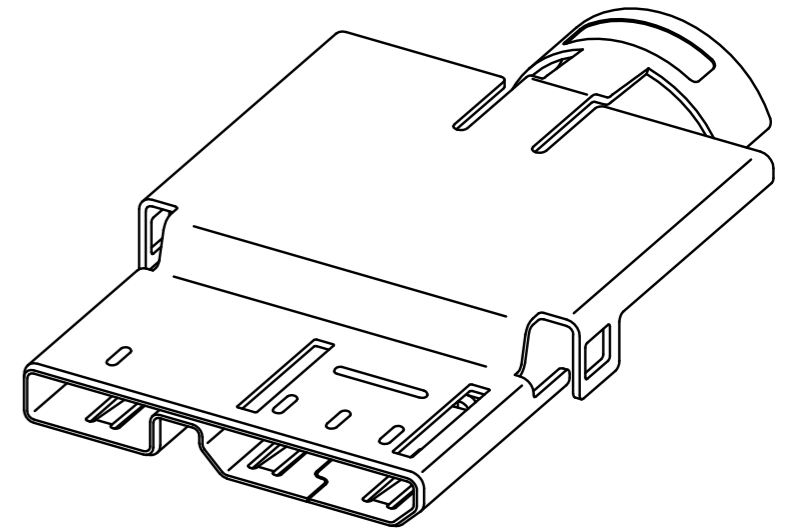
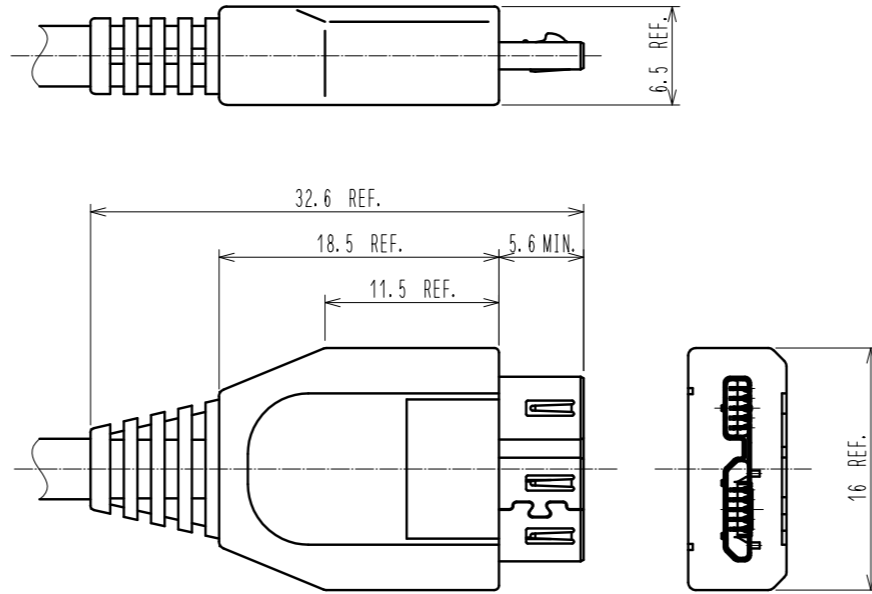
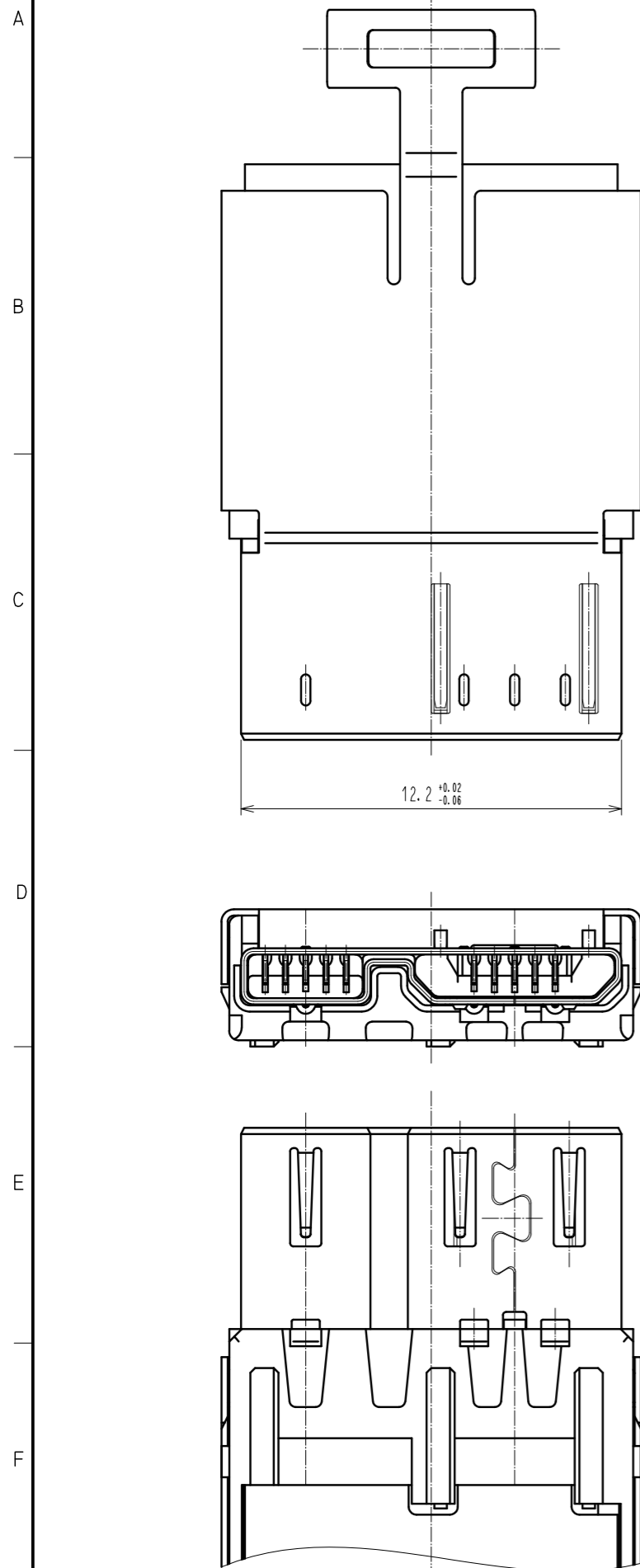
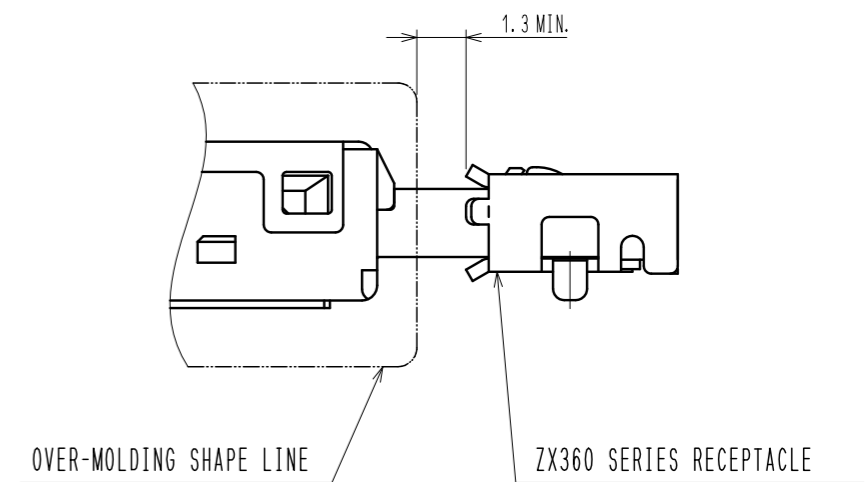
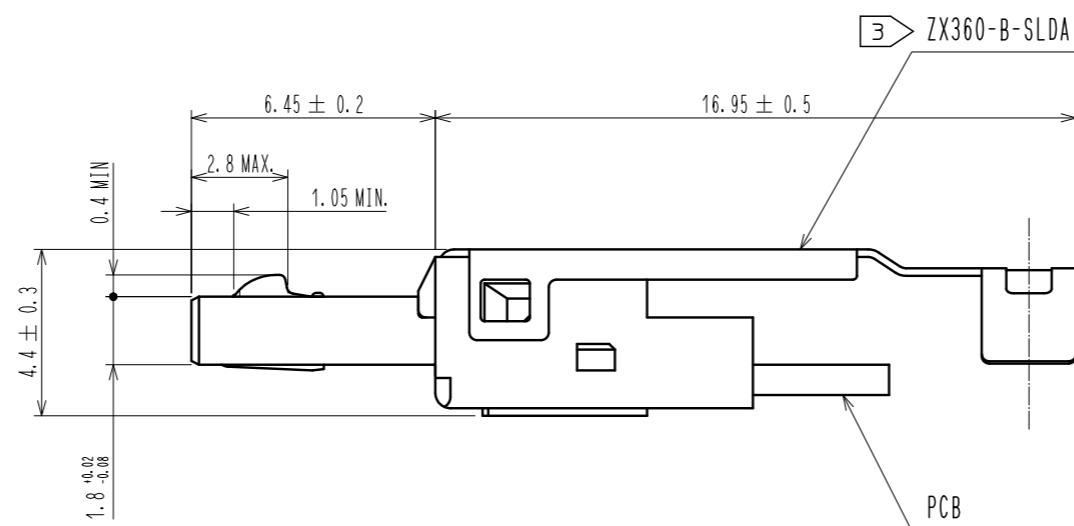


Fig-4 MATED WITH CORRESPONDING PLUG



NOTES 3 THIS COMPONENT IS ALWAYS USED WITH SEPARATELY AVAILABLE ZX360-B-SLDA

| | | |
|------------|-------------|------------------|
| HRS | DRAWING NO. | EDC3-127029-00 |
| | PART NO. | ZX360-B-10S-UNIT |
| | CODE NO. | CL242-0501-4-00 |
| | | △ 3/3 |