



Chipsmall Limited consists of a professional team with an average of over 10 year of expertise in the distribution of electronic components. Based in Hongkong, we have already established firm and mutual-benefit business relationships with customers from,Europe,America and south Asia,supplying obsolete and hard-to-find components to meet their specific needs.

With the principle of “Quality Parts,Customers Priority,Honest Operation,and Considerate Service”,our business mainly focus on the distribution of electronic components. Line cards we deal with include Microchip,ALPS,ROHM,Xilinx,Pulse,ON,Everlight and Freescale. Main products comprise IC,Modules,Potentiometer,IC Socket,Relay,Connector.Our parts cover such applications as commercial,industrial, and automotives areas.

We are looking forward to setting up business relationship with you and hope to provide you with the best service and solution. Let us make a better world for our industry!



Contact us

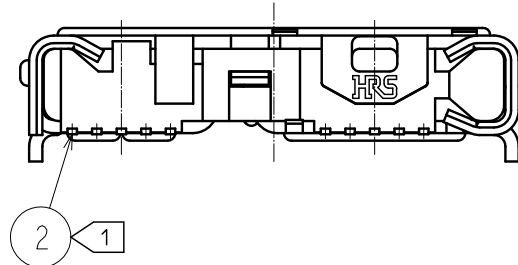
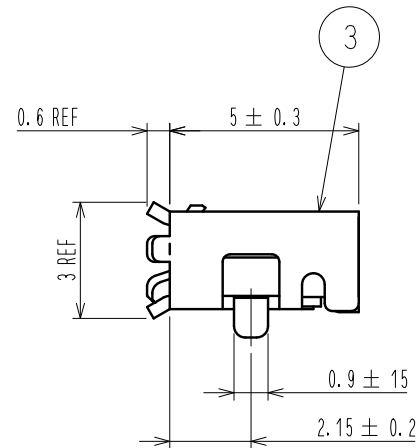
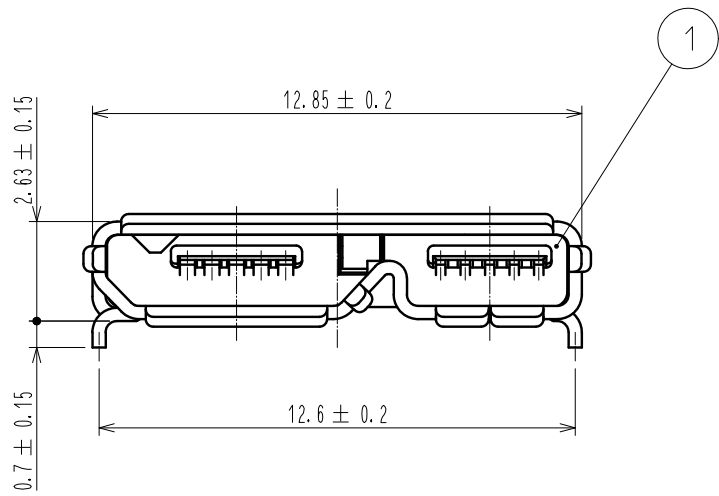
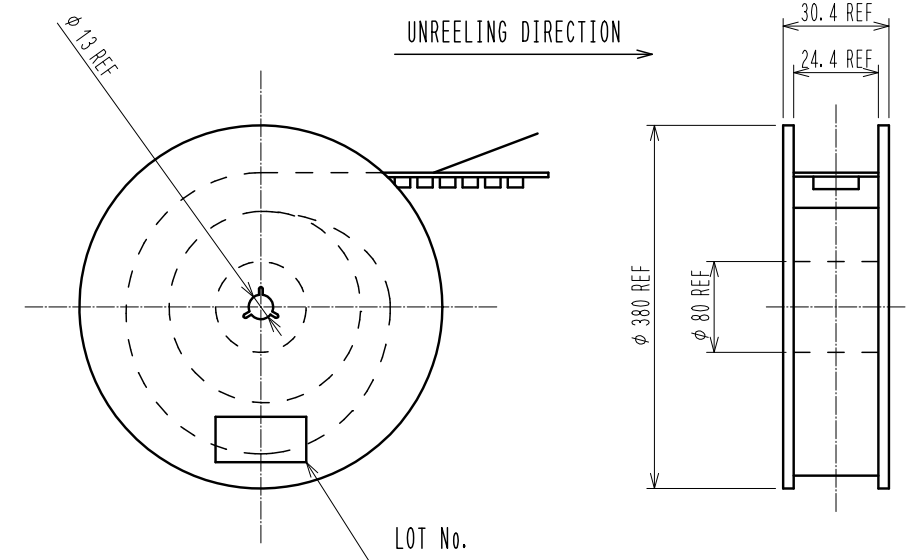
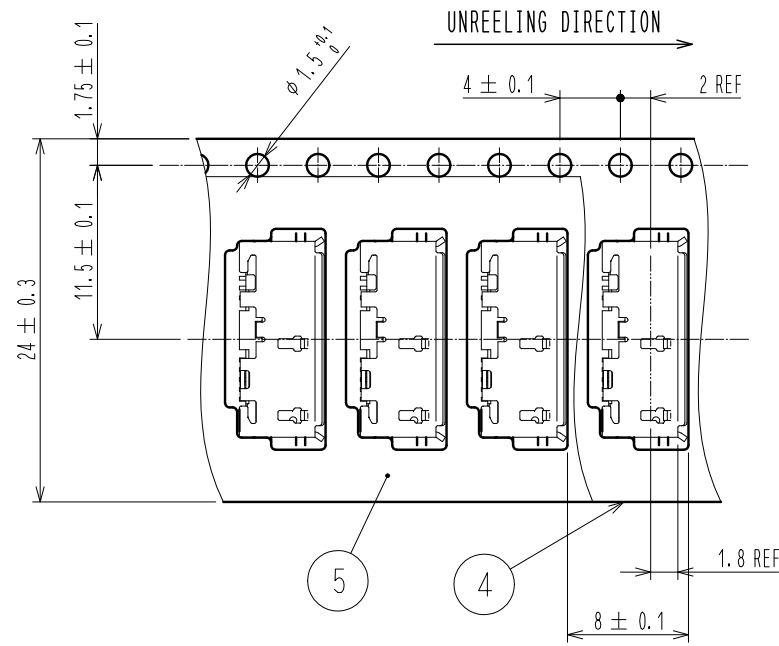
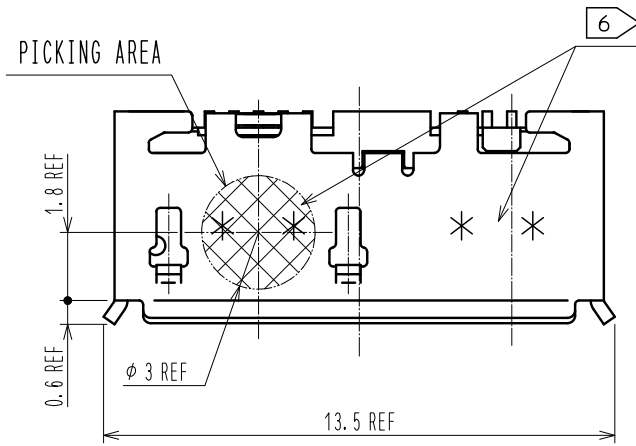
Tel: +86-755-8981 8866 Fax: +86-755-8427 6832

Email & Skype: info@chipsmall.com Web: www.chipsmall.com

Address: A1208, Overseas Decoration Building, #122 Zhenhua RD., Futian, Shenzhen, China



3 DRAWING FOR PACKAGING (FREE)



6 LOT NUMBER (4 DIGITS)

YEAR	MONTH	DAY			LINE No.						
YEAR CODE	MONTH CODE	DAY CODE	DAY CODE	DAY CODE	DAY CODE	LINE No.	CODE				
2009	9	Jan.	A	1	1	11	B	21	M	1	A
2010	0	Feb.	B	2	2	12	C	22	N	2	B
2011	1	Mar.	C	3	3	13	D	23	P	3	C
2012	2	Apr.	D	4	4	14	E	24	Q	4	D
2013	3	May.	E	5	5	15	F	25	R	5	E
		Jun.	F	6	6	16	G	26	S	6	F
		Jul.	G	7	7	17	H	27	T	7	G
		Aug.	H	8	8	18	J	28	U	8	H
		Sep.	I	9	9	19	K	29	V	9	I
		Oct.	J	10	A	20	L	30	W	10	J
		Nov.	K					31	X	11	K
		Dec.	L								

注 1 CO-PLANARITY IS WITHIN 0.08 mm.

2 THE PLATING SPECIFICATION

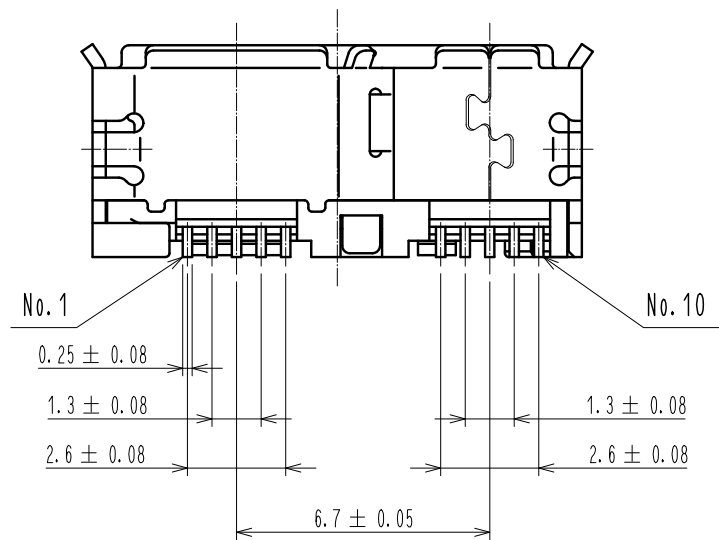
CONTACT AREA : PALLADIUM PLATING 0.75 μm MIN. + GOLD PLATING 0.05 μm MIN.
 MOUNTING AREA : GOLD PLATING 0.05 μm MIN.
 UNDERPLATING : NICKEL PLATING 2 μm MIN.

3 3000 PCS PER REEL.

4 . CONNECTOR OPENING CONFIGURATION SATISFIES USB3.0 SPECIFICATIONS.

5 . SCRATCH MARK COULD BE MADE ON THE SURFACE OF REF NO. 3 DURING ASSEMBLY PROCESS, WHICH DOES NOT AFFECT THE PERFORMANCE. LEVEL OF PLATING BRIGHTNESS COULD VARY, WHICH DOSE NOT AFFECT THE PERFORMANCE.

6 INDICATE THE LOT NO. WITH 4 DIGITS AT THE SPECIFIED POSITION.

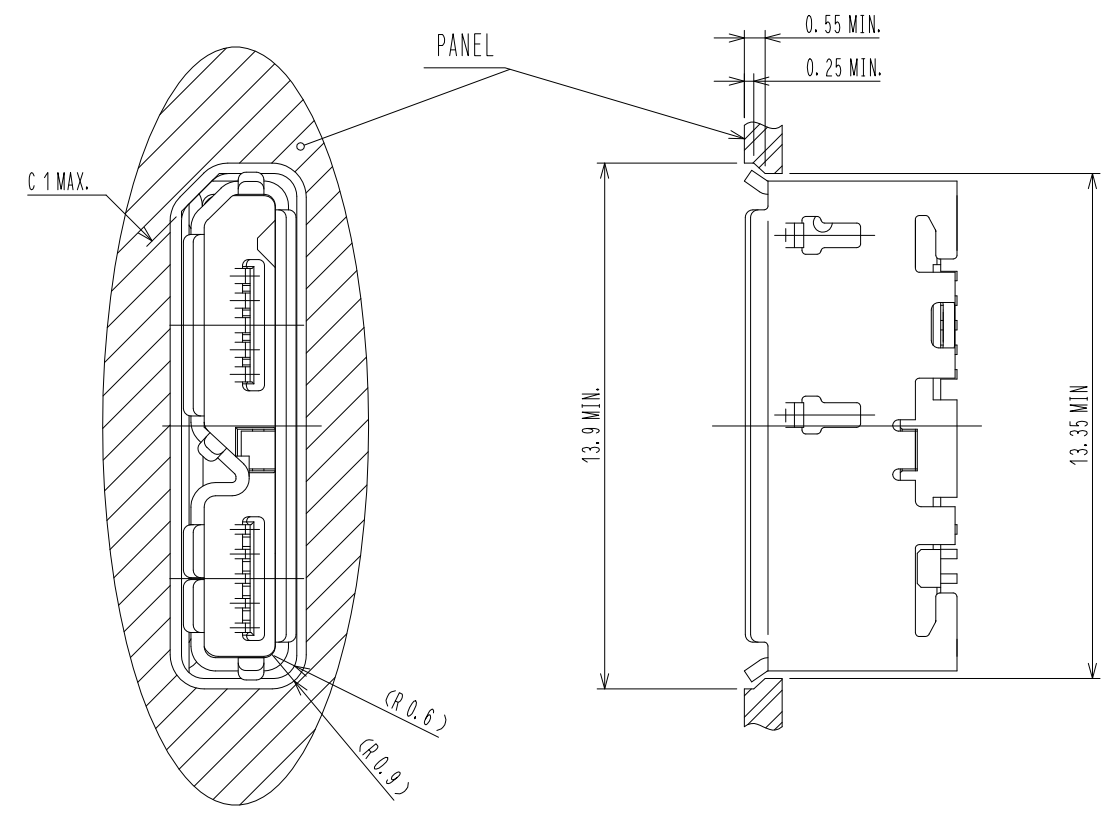


2	COPPER ALLOY	2	5	PE				
1	LCP	UL94V-0, BLACK	4	PS				
			3	STAINLESS STEEL	TIN PLATING 1 μm min. LUBRICANT			
NO.	MATERIAL	FINISH . REMARKS	NO.	MATERIAL	FINISH . REMARKS			
UNITS	mm	SCALE	5 : 1	COUNT	DESCRIPTION OF REVISIONS	DESIGNED	CHECKED	DATE
HRS HIROSE ELECTRIC CO., LTD.		APPROVED : A0. SUZUKI	10.08.07	DRAWING NO. EDC3-127028-00				
		CHECKED : KN. ICHIKAWA	10.08.07	PART NO. ZX360D-B-10P				
		DESIGNED : AH. KODAMA	10.08.06	CODE NO. CL242-0500-1-00				
		DRAWN : TS. SAKAIZAWA	09.06.15					

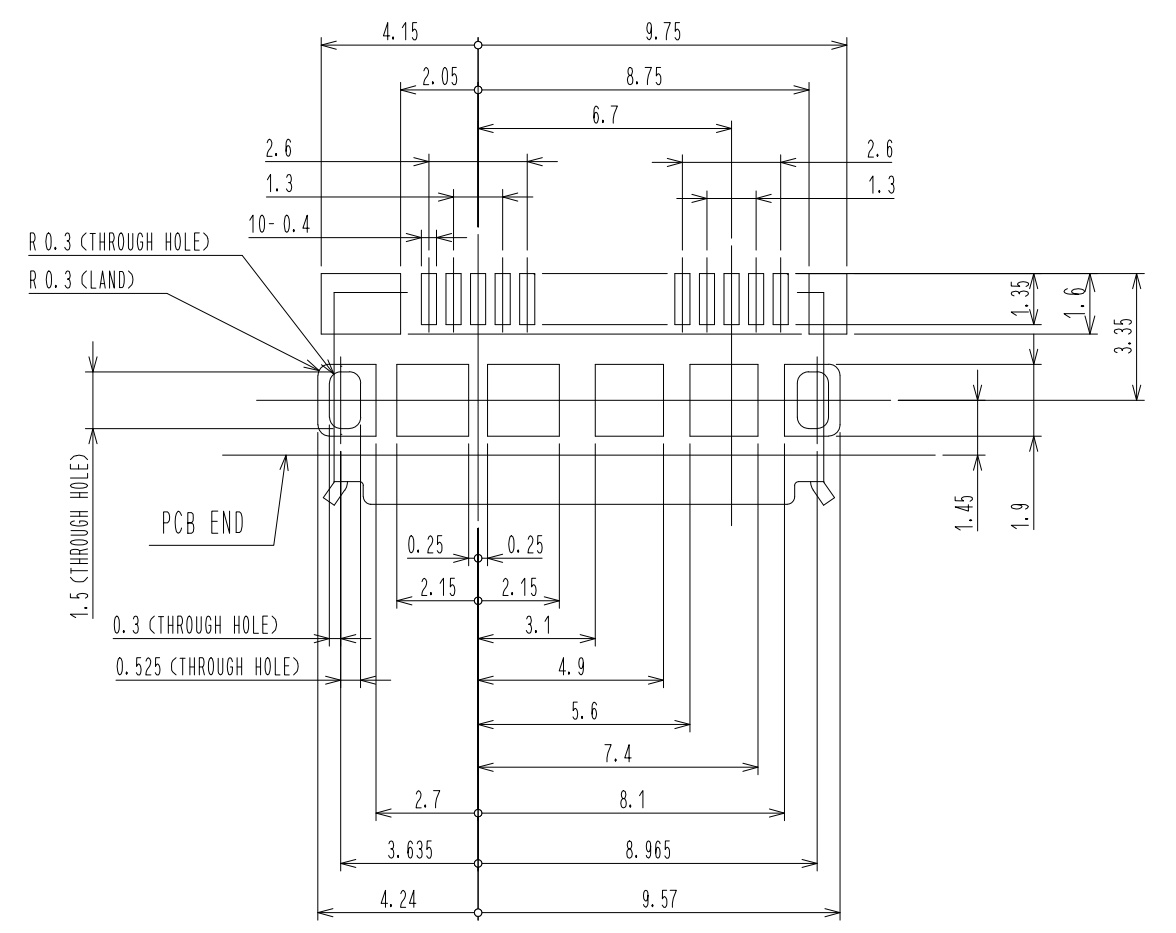
1 2 3 4 5 6 7 8

A
B
C
D
E
F

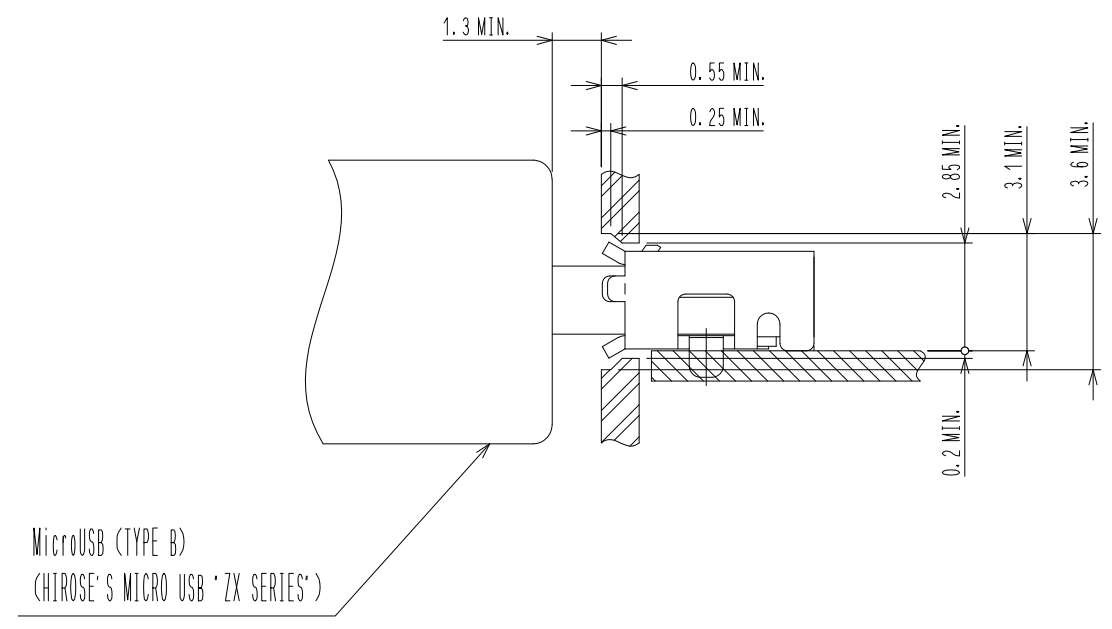
RECOMMENDED PANEL CUTOUT



PCB LAYOUT FOR REFERENCE.



MATED WITH CORRESPONDING PLUG



HRS	DRAWING NO.	EDC3-127028-00	2/2
	PART NO.	ZX360D-B-10P	
	CODE NO.	CL242-0500-1-00	