



Chipsmall Limited consists of a professional team with an average of over 10 year of expertise in the distribution of electronic components. Based in Hongkong, we have already established firm and mutual-benefit business relationships with customers from,Europe,America and south Asia,supplying obsolete and hard-to-find components to meet their specific needs.

With the principle of “Quality Parts,Customers Priority,Honest Operation,and Considerate Service”,our business mainly focus on the distribution of electronic components. Line cards we deal with include Microchip,ALPS,ROHM,Xilinx,Pulse,ON,Everlight and Freescale. Main products comprise IC,Modules,Potentiometer,IC Socket,Relay,Connector.Our parts cover such applications as commercial,industrial, and automotives areas.

We are looking forward to setting up business relationship with you and hope to provide you with the best service and solution. Let us make a better world for our industry!



Contact us

Tel: +86-755-8981 8866 Fax: +86-755-8427 6832

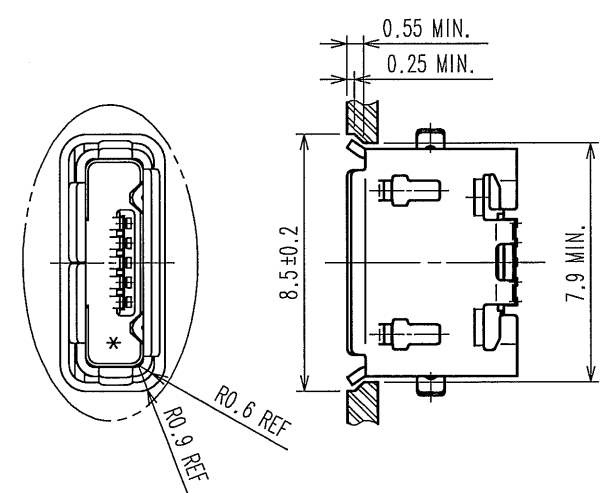
Email & Skype: info@chipsmall.com Web: www.chipsmall.com

Address: A1208, Overseas Decoration Building, #122 Zhenhua RD., Futian, Shenzhen, China

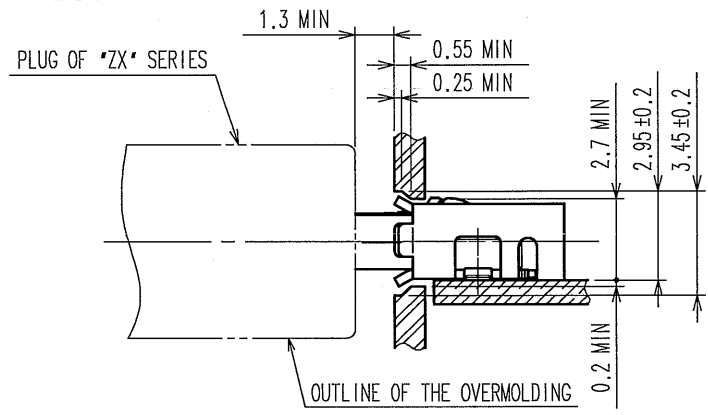


COUNT	DESCRIPTION OF REVISIONS	BY	CHKD	DATE	COUNT	DESCRIPTION OF REVISIONS	BY	CHKD	DATE
18	REVISED DIMENSIONS,EMBOSS SIZE,PER REEL,etc	T.M	N.M	07.02.23					

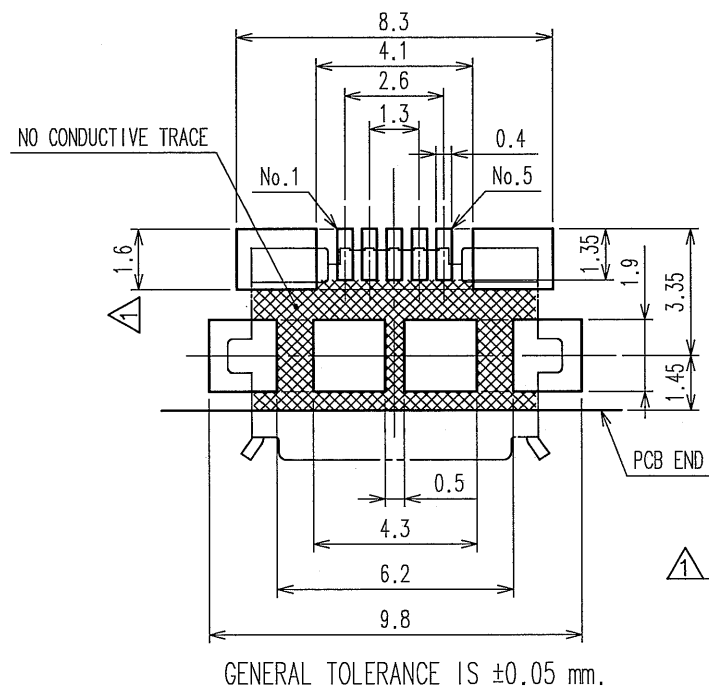
△ RECOMMENDED PANEL CUTOUT (4:1)



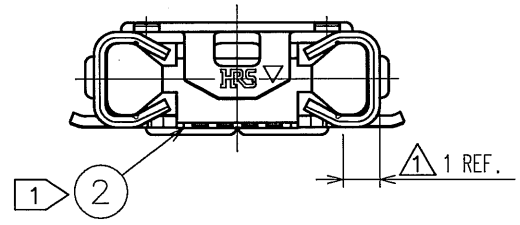
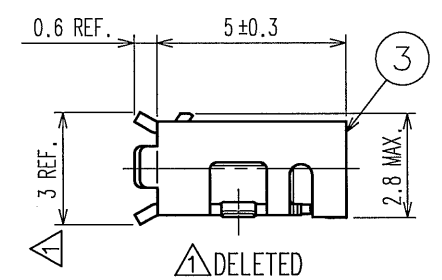
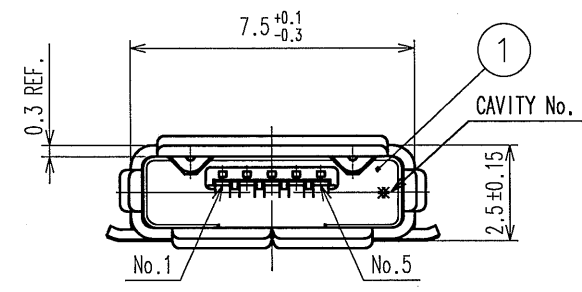
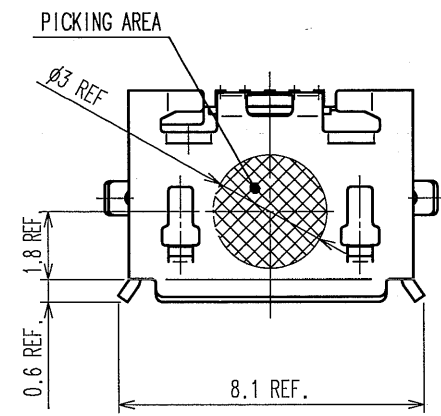
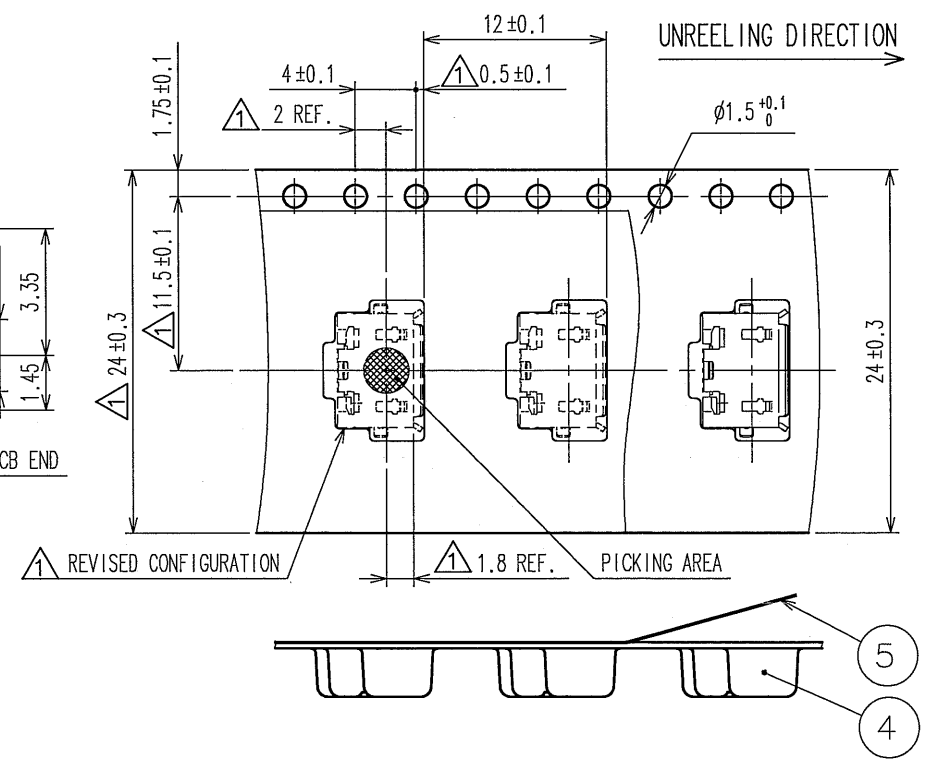
△ MATED WITH CORRESPONDING PLUG (4:1)



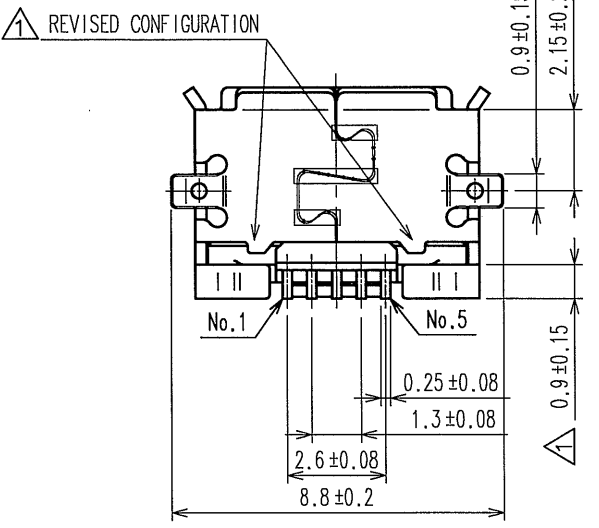
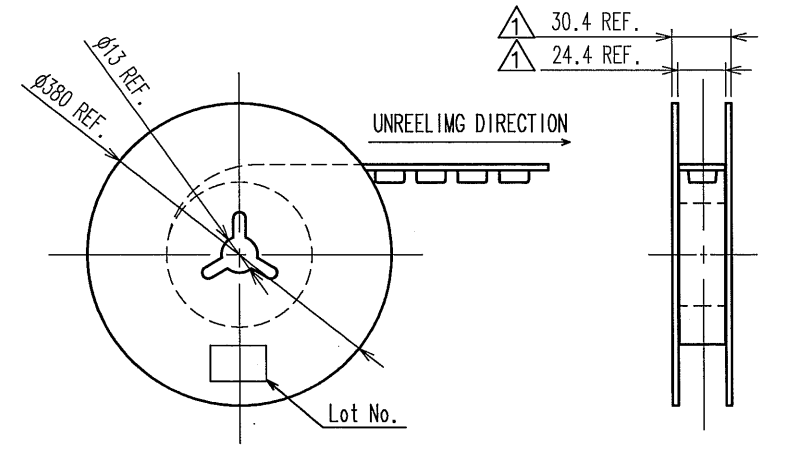
PCB LAYOUT



3 > UNDRAWING FOR PACKING (2:1)



REEL (FREE)



- NOTES
- 1 > CO-PLANARITY IS WITHIN 0.08 mm.
 - 2 > PLATING
CONTACT AREA : GOLD 0.75μ m min.
LEAD AREA : GOLD 0.03μ m min.
UNDER PLATING: NICKEL 2μ m min.
 - 3 > PER REEL : 2000 pcs.
 - 4. INTERFACE DIMENSIONS CONFORM TO USB2.0 SPECIFICATION.

2	COPPER ALLLOY	2 >	5	PE	1	
1	LCP	BLACK,UL94V-0	4	PS		
NO.	MATERIAL	FINISH, REMARKS	NO.	MATERIAL	FINISH, REMARKS	
3	STAINLESS STEEL	TIN PLATING 1μ m min. LUBRICANT				
CODE NO.(OLD)		DRAWN	DESIGNED	CHECKED	APPROVED	RELEASED
DRAWING FOR REFERENCE		M.SHIMOYAMA	M.SHIMOYAMA	H.KOBAYASHI	A.SUZUKI	
This is subject to change without notice.		07.01.22	07.01.22	07.01.22	07.01.22	
DRAWING NO. TEDC3-123660-1			PART NO. ZX62-AB-5P			
SCALE 5 : 1			CODE NO. CL242			
UNITS mm			HRS HIROSE ELECTRIC CO., LTD			

TO