



Chipsmall Limited consists of a professional team with an average of over 10 year of expertise in the distribution of electronic components. Based in Hongkong, we have already established firm and mutual-benefit business relationships with customers from,Europe,America and south Asia,supplying obsolete and hard-to-find components to meet their specific needs.

With the principle of "Quality Parts,Customers Priority,Honest Operation,and Considerate Service",our business mainly focus on the distribution of electronic components. Line cards we deal with include Microchip,ALPS,ROHM,Xilinx,Pulse,ON,Everlight and Freescale. Main products comprise IC,Modules,Potentiometer,IC Socket,Relay,Connector.Our parts cover such applications as commercial,industrial, and automotives areas.

We are looking forward to setting up business relationship with you and hope to provide you with the best service and solution. Let us make a better world for our industry!



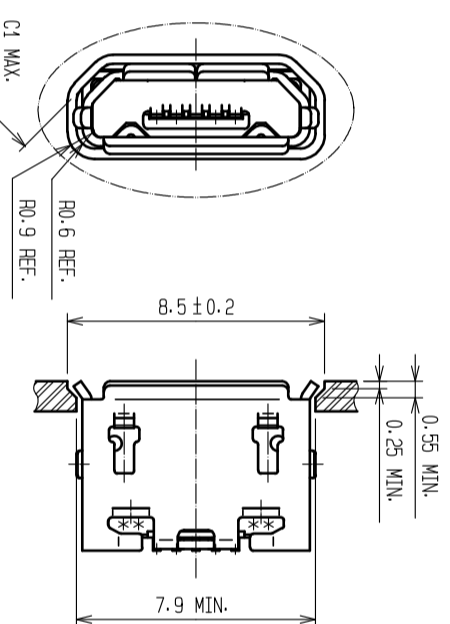
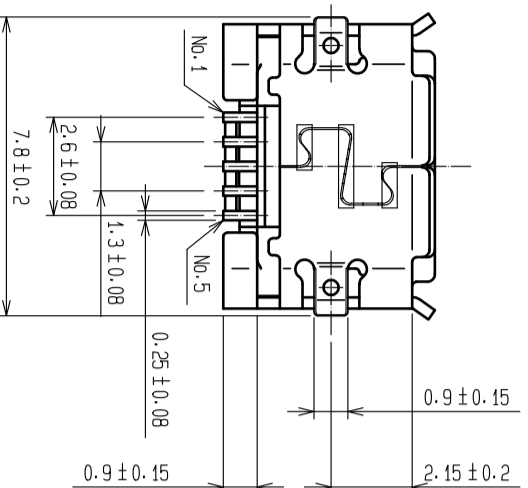
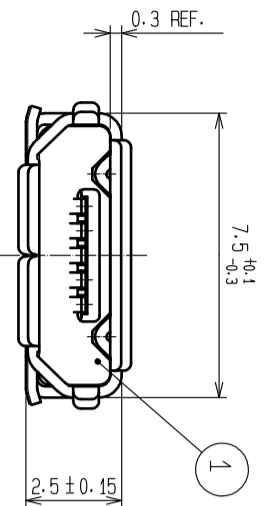
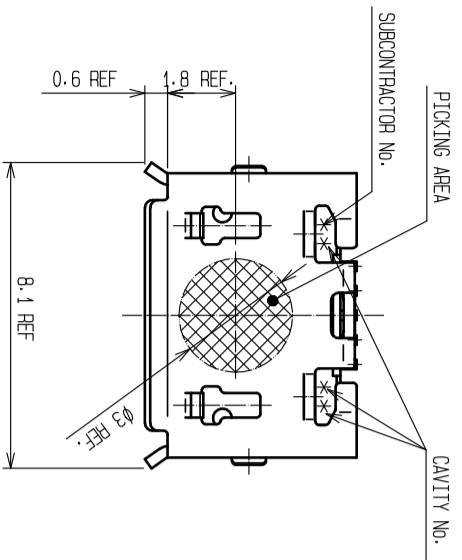
Contact us

Tel: +86-755-8981 8866 Fax: +86-755-8427 6832

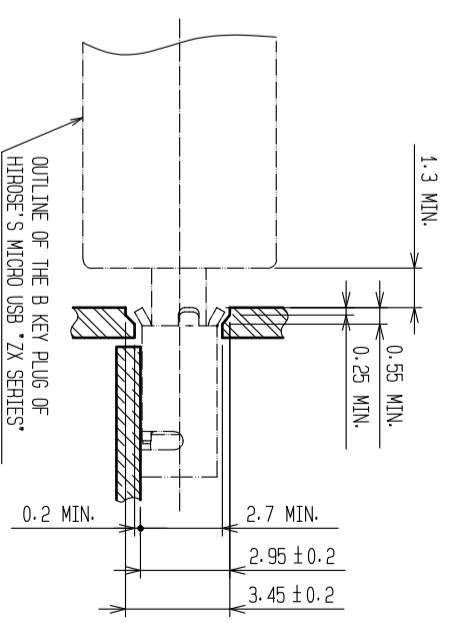
Email & Skype: info@chipsmall.com Web: www.chipsmall.com

Address: A1208, Overseas Decoration Building, #122 Zhenhua RD., Futian, Shenzhen, China

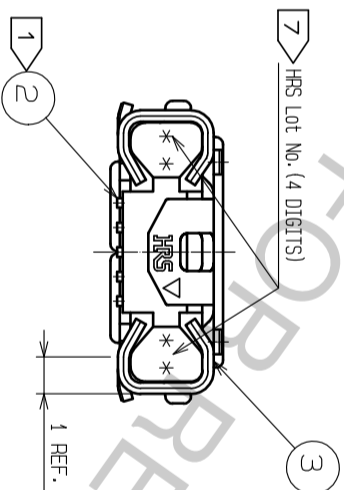
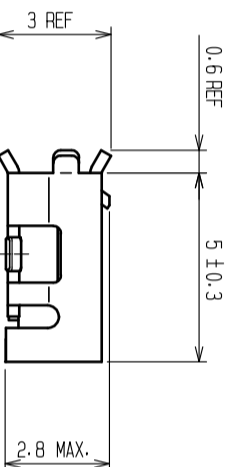




RECOMMENDED PANEL CUTOUT (4:1)

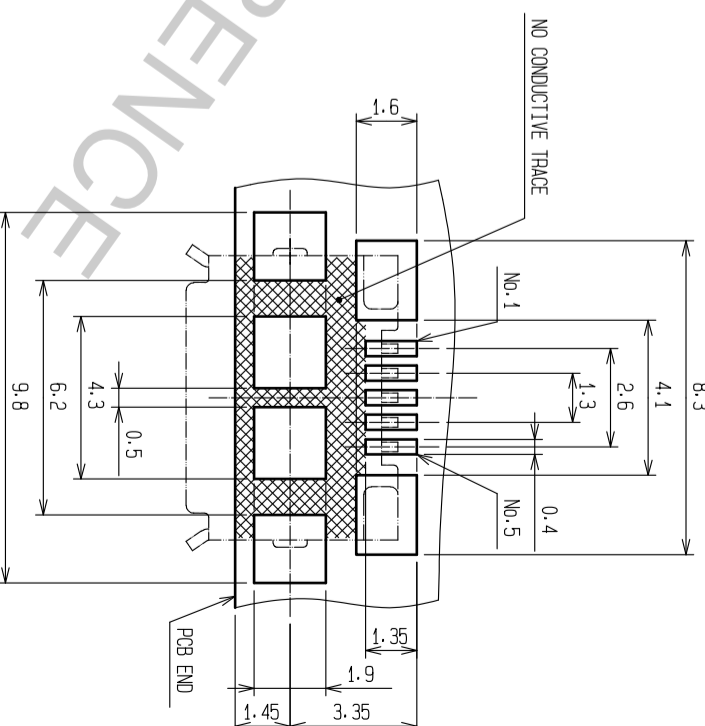


MATED WITH CORRESPONDING PLUG(4:1)



HRS Lot No. (4 DIGITS)

PCB LAYOUT



NOTES

- 1 CO-PLANARITY IS WITHIN 0.08 mm.
- 2 PLATING
CONTACT AREA : GOLD 0.75µm MIN.
LEAD AREA : GOLD 0.05µm MIN.
UNDER PLATING: NICKEL 2µm MIN.
- 3 PER REEL : 3500 pcs.
- 4 INTERFACE DIMENSIONS CONFORM TO USB2.0 SPECIFICATION.
- 5 AS FOR PART No.3, THE PERFORMANCE REMAINS GOOD EVEN IF THERE ARE RUBBING WOUNDS BY THE ASSEMBLY PROCESS, AND, THE PERFORMANCE REMAINS GOOD THROUGH THESE MIGHT BE A DIFFERENCE IN THE PLATING LUSTER BETWEEN EACH PLATING SUBCONTRACT COMPANIES.
- 6 AS FOR PART No.1, A PART OF SHAPE MAY BECOME DIFFERENT DEPENDING ON THE PRODUCTION METHOD.
- 7 CODE CONFIGURATION IS SHOWN IN FIG. 1.

FORM HCO011-5-7

NO.	UNITS	MATERIAL	FINISH	REMARKS	NO.	MATERIAL	FINISH	REMARKS
1	LCP	COPPER ALLOY	BLACK, UL94V-0		2	PE		
2					3	PS		
3					4	STAINLESS STEEL	OVER PLATING : TIN 1 µm min.	
4					5			

UNITS	SCALE	COUNT	DESCRIPTION OF REVISIONS	DESIGNED	CHECKED	DATE
mm	5 : 1					

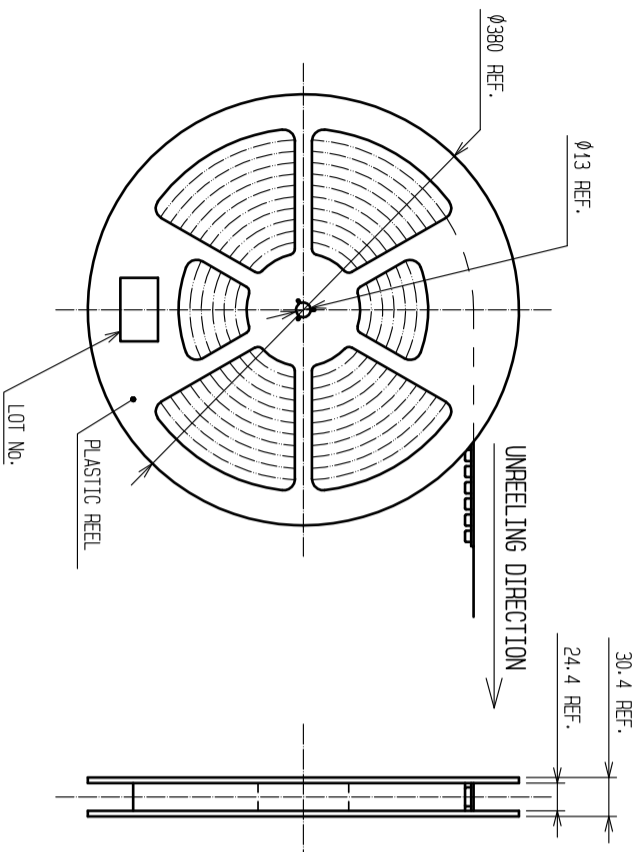
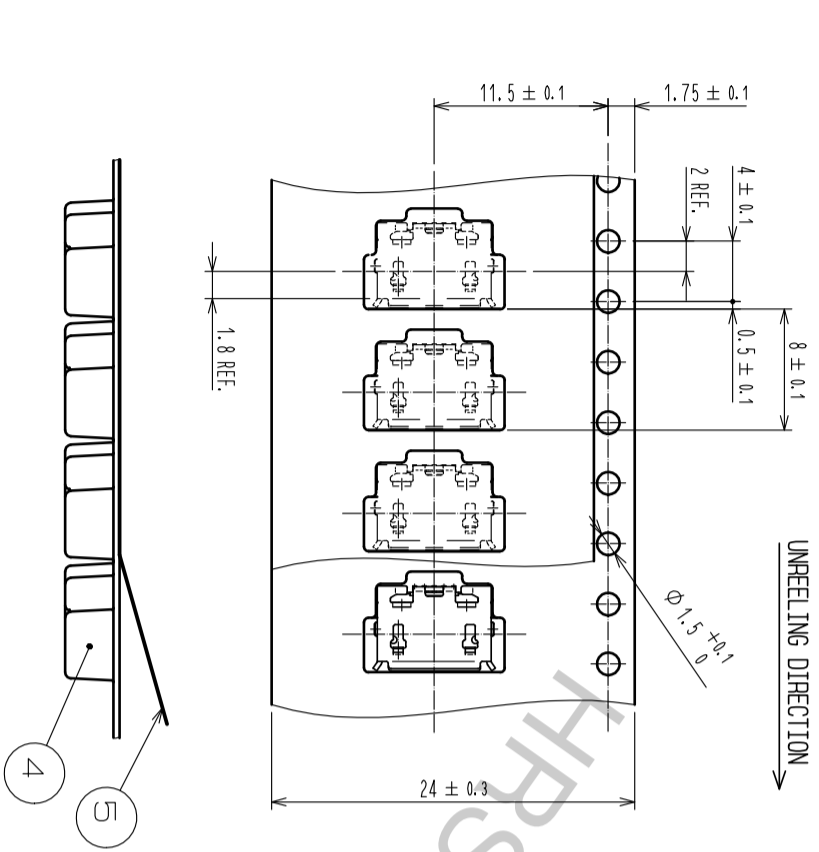
APPROVED	CHECKED	DESIGNED	DRAWN	NO.	PART NO.	CODE
MM. NISHIMATSU	KN. ICHIKAWA	TS. ITO	AK. AKIYAMA	15.10.27	15.10.27	15.10.27

EDC-126332-33-00	ZX62-B-5PA(33)	CL242-0033-8-33
1		

HRS

HIROSE ELECTRIC CO., LTD.

➤ DRAWING FOR PACKING



➤ FIG. 1 LOT CODE CONFIGURATION FOR 4 DIGITS

YEAR	YEAR CODE	MONTH	MONTH CODE	DAY				LINE NO.	LINE No. CODE		
				DAY	CODE	DAY	CODE			DAY	CODE
2007	7	Jan.	A	1	1	11	B	21	M	1	A
2008	8	Feb.	B	2	2	12	C	22	N	2	B
2009	9	Mar.	C	3	3	13	D	23	P	3	C
2010	0	Apr.	D	4	4	14	E	24	Q	4	D
2011	1	May.	E	5	5	15	F	25	R	5	E
		Jun.	F	6	6	16	G	26	S	6	F
		JUL.	G	7	7	17	H	27	T	7	G
		Aug.	H	8	8	18	J	28	U	8	H
		Sep.	I	9	9	19	K	29	V	9	I
		Oct.	J	10	A	20	L	30	W	10	J
		Nov.	K					31	X	11	K
		Dec.	L								

HRS DRAWING REFERENCE

HRS	DRAWING NO.	EDC-126332-33-00
	PART NO.	ZX62-B-5PA(33)
CODE NO.	CL242-0033-8-33	