



Chipsmall Limited consists of a professional team with an average of over 10 year of expertise in the distribution of electronic components. Based in Hongkong, we have already established firm and mutual-benefit business relationships with customers from,Europe,America and south Asia,supplying obsolete and hard-to-find components to meet their specific needs.

With the principle of “Quality Parts,Customers Priority,Honest Operation,and Considerate Service”,our business mainly focus on the distribution of electronic components. Line cards we deal with include Microchip,ALPS,ROHM,Xilinx,Pulse,ON,Everlight and Freescale. Main products comprise IC,Modules,Potentiometer,IC Socket,Relay,Connector.Our parts cover such applications as commercial,industrial, and automotives areas.

We are looking forward to setting up business relationship with you and hope to provide you with the best service and solution. Let us make a better world for our industry!



## Contact us

Tel: +86-755-8981 8866 Fax: +86-755-8427 6832

Email & Skype: info@chipsmall.com Web: www.chipsmall.com

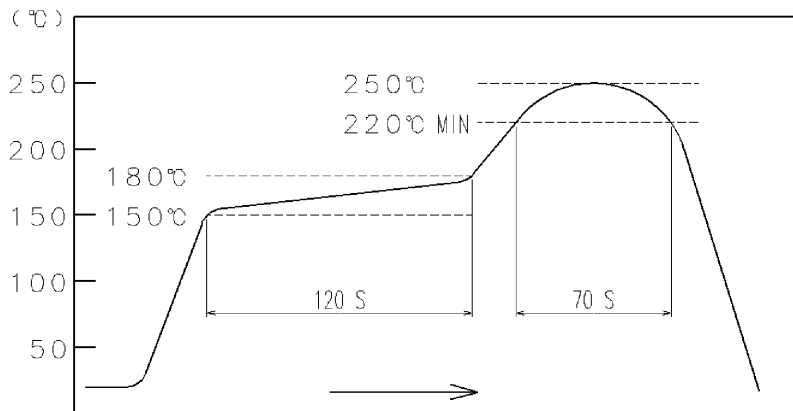
Address: A1208, Overseas Decoration Building, #122 Zhenhua RD., Futian, Shenzhen, China



APPLICABLE STANDARD		USB2.0 SPECIFICATION AND MICRO-USB CABLES AND CONNECTORS SPECIFICATION.				
RATING	OPERATING TEMPERATURE RANGE	-30°C TO +85°C	STORAGE TEMPERATURE RANGE	-30°C TO +60°C		
	VOLTAGE	AC 30V	CURRENT	SIGNAL ONLY	1.0 A/pin	
				POWER APPLY	1.8 A/pin (PIN No.1,No.5) 0.5 A/pin (PIN No.2-No.4)	
<b>SPECIFICATIONS</b>						
ITEM	TEST METHOD			REQUIREMENTS	QT	AT
<b>CONSTRUCTION</b>						
GENERAL EXAMINATION	VISUALLY AND BY MEASURING INSTRUMENT.			ACCORDING TO DRAWING.	X	X
MARKING	CONFIRMED VISUALLY.				X	X
<b>ELECTRICAL CHARACTERISTICS</b>						
CONTACT RESISTANCE	100 mA (DC OR 1000 Hz).			30 mΩ MAX.	X	X
INSULATION RESISTANCE	500 V DC.			1000 MΩ MIN.	X	X
VOLTAGE PROOF	100 V AC FOR 1 min.			NO FLASHOVER OR BREAKDOWN.	X	X
CAPACITANCE	MEASURE ADJACENT TWO CONTACTS AT 1000±10 Hz AC VOLTAGE.			2 pF MAX.	X	—
<b>MECHANICAL CHARACTERISTICS</b>						
INSERTION AND WITHDRAWAL FORCES	A MAXIMUM RATE OF 12.5 mm/min MEASURED BY APPLICABLE CONNECTOR			INSERTION FORCE 35 N MAX. WITHDRAWAL FORCE 8 N MIN.	X	—
MECHANICAL OPERATION	10000 TIMES INSERTIONS AND EXTRACTIONS. MATING SPEED - MECHANICALLY OPERATED : 500 CYCLES / h OR - MANUALLY OPERATED : 200 CYCLES / h			1) CONTACT RESISTANCE: NO INCREASE OF MORE THAN 10 mΩ FROM INITIAL VALUE. 2) INSERTION FORCE 35 N MAX. WITHDRAWAL FORCE 8 N MIN. 3) NO DAMAGE, CRACK AND LOOSENESS OF PARTS.	X	—
VIBRATION	FREQUENCY 10 TO 55 Hz SINGLE AMPLITUDE 0.75 mm, AT 2h, FOR 3 AXIAL DIRECTIONS, TOTAL 6 h.			1) NO ELECTRICAL DISCONTINUITY OF 1μs. 2) NO DAMAGE, CRACK AND LOOSENESS OF PARTS.	X	—
RANDOM VIBRATION	FREQUENCY 50 TO 2000 Hz AT 15 min, FOR 3 AXIAL DIRECTIONS.				X	—
SHOCK	490 m/s <sup>2</sup> DIRECTIONS OF PULSE 11 ms AT 3 TIMES FOR 6 DIRECTIONS, TOTAL 18 TIMES.				X	—
<b>ENVIRONMENTAL CHARACTERISTICS</b>						
THERMAL SHOCK	TEMP -55 → +15 TO +35 → +85 → +15 TO +35 °C TIME 30 → 2 TO 3 → 30 → 2 TO 3 min UNDER 10 CYCLES. (MATING APPLICABLE CONNECTOR)			1) CONTACT RESISTANCE: 70 mΩ MAX. 2) INSULATION RESISTANCE: 10 MΩ MIN. 3) NO DAMAGE, CRACK AND LOOSENESS OF PARTS.	X	—
HUMIDITY LIFE	TEMPERATURE -10~65 °C, HUMIDITY 90 TO 98 %, UNDER 7 CYCLES (168 h) (MATING APPLICABLE CONNECTOR)			NO DAMAGE, CRACK AND LOOSENESS OF PARTS.	X	—
DRY HEAT	EXPOSED AT 85±2 °C, 96 h. (MATING APPLICABLE CONNECTOR)			NO DAMAGE, CRACK AND LOOSENESS OF PARTS.	X	—
COLD	EXPOSED AT -40±2 °C, 96 h. (MATING APPLICABLE CONNECTOR)			NO DAMAGE, CRACK AND LOOSENESS OF PARTS.	X	—
CORROSION SALT MIST	EXPOSED AT 5 % SALT WATER, 35 °C, FOR 48h. (LEFT UNDER UNMATED CONDITION)			NO HEAVY CORROSION OF CONTACTS.	X	—
SOLDERABILITY	SOLDERING POINT IMMERSED IN SOLDER BATH OF 255±5°C, 5 sec. (USING TYPE R FLAX)			SOLDER SHALL COVER MINIMUM OF 95% OF THE SURFACE BEING IMMERSED.	X	—
	COUNT	DESCRIPTION OF REVISIONS		DESIGNED	CHECKED	DATE
	5	DIS-E-002889		ER. WAKIKAWA	KN. ICHIKAWA	09.08.18
REMARK				APPROVED	AO. SUZUKI	07.07.03
HIROSE will not guarantee the performance on these specifications In case this product will be mated with the others which is not HIROSE's.				CHECKED	KN. ICHIKAWA	07.07.03
Unless otherwise specified, refer to USB2.0 or EIA 364 .				DESIGNED	HK. TANAKA	07.07.03
				DRAWN	HK. TANAKA	07.07.03
Note QT:Qualification Test AT:Assurance Test X:Applicable Test				DRAWING NO.		ELC4-126367-00
	SPECIFICATION SHEET			PART NO.	ZX62D-B-5P8	
	HIROSE ELECTRIC CO., LTD.			CODE NO.	CL242-0034-0-00	

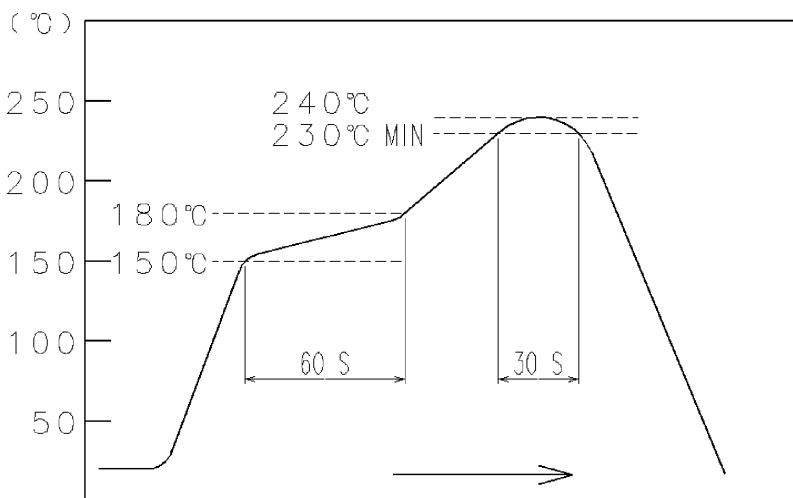
# SPECIFICATIONS

ITEM	TEST METHOD	REQUIREMENTS	QT	AT
RESISTANCE TO SOLDERING HEAT	A PROFILE IS SHOWN IN FIG-1, UNDER 2 CYCLES.	NO DAMAGE, CRACK AND LOOSENESS OF PARTS.	X	-



**FIG - 1 RESISTANCE TO SOLDERING HEAT  
(TEMPERATURE AT TOP SURFACE OF CONNECTOR)**

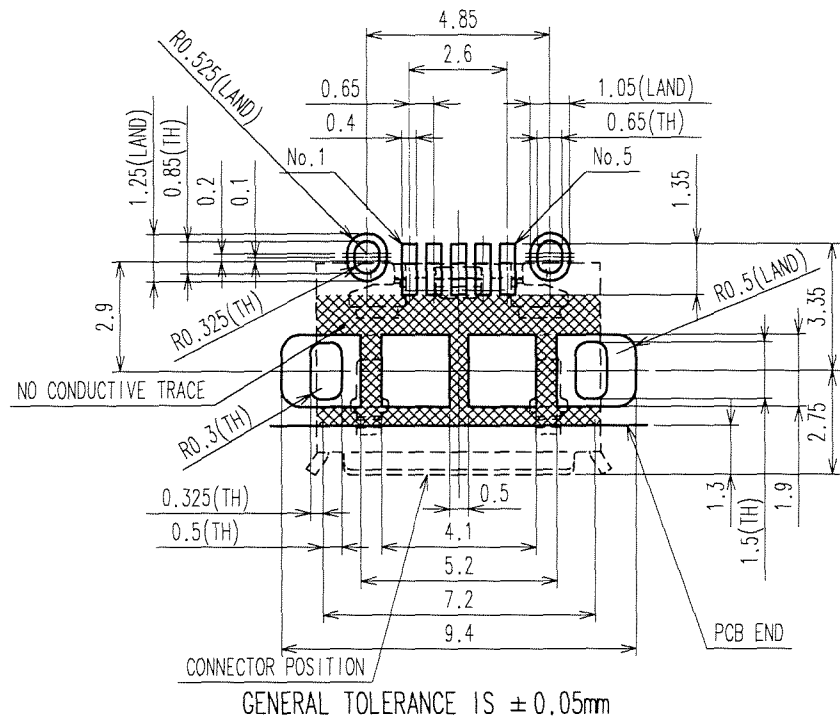
■ RECOMMENDED PROFILE REFERS TO FIG - 2.  
(TEMPERATURE AT SMT LEADS)



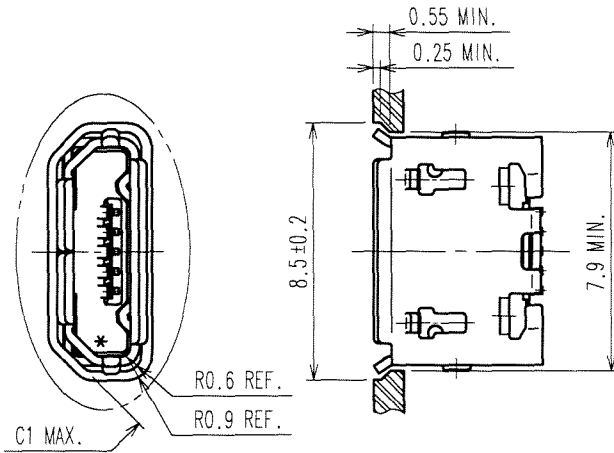
**FIG - 2 RECOMMENDED REFLOW PROFILE TEMPERATURE**

Note QT:Qualification Test AT:Assurance Test X:Applicable Test		DRAWING NO. ELC4-126367-00	
<b>HRS</b>	SPECIFICATION SHEET	PART NO.	ZX62D-B-5P8
	HIROSE ELECTRIC CO., LTD.	CODE NO	CL242-0034-0-00
			△ 2/2

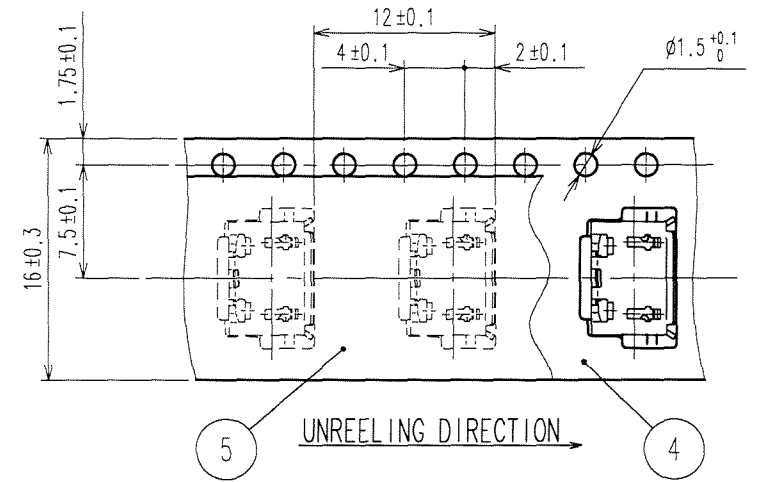
RECOMMENDED PC BOARD PATTERN



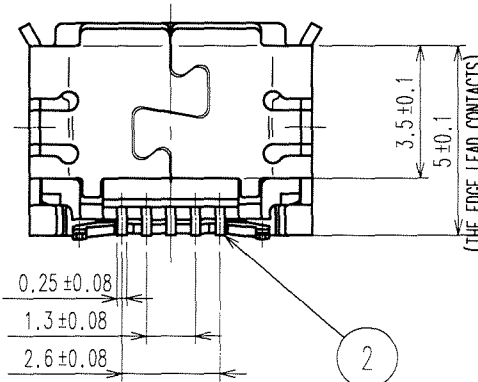
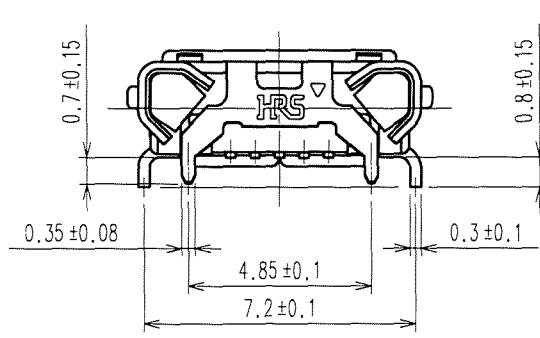
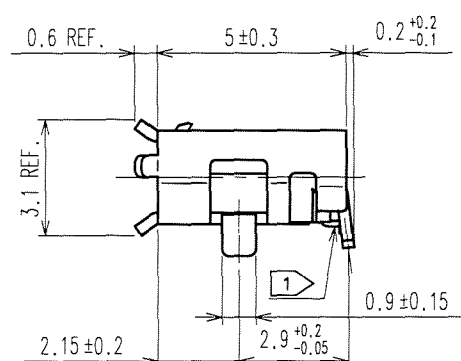
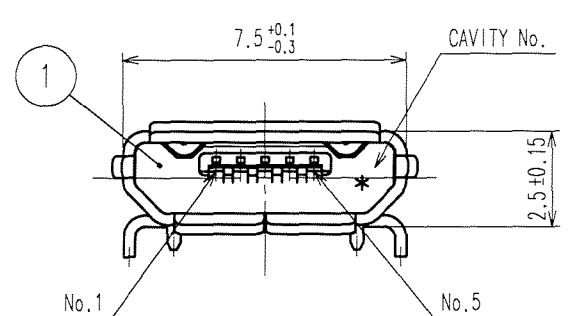
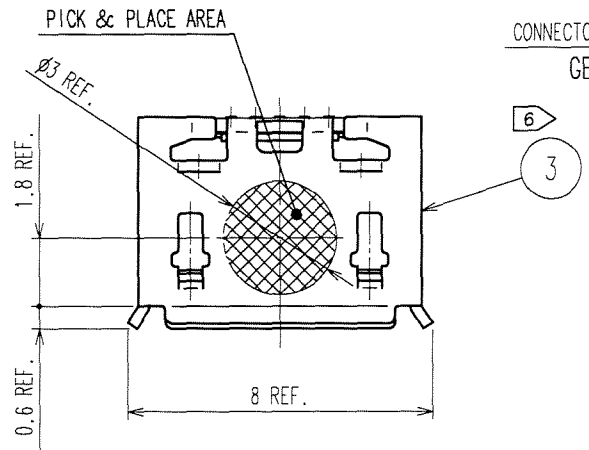
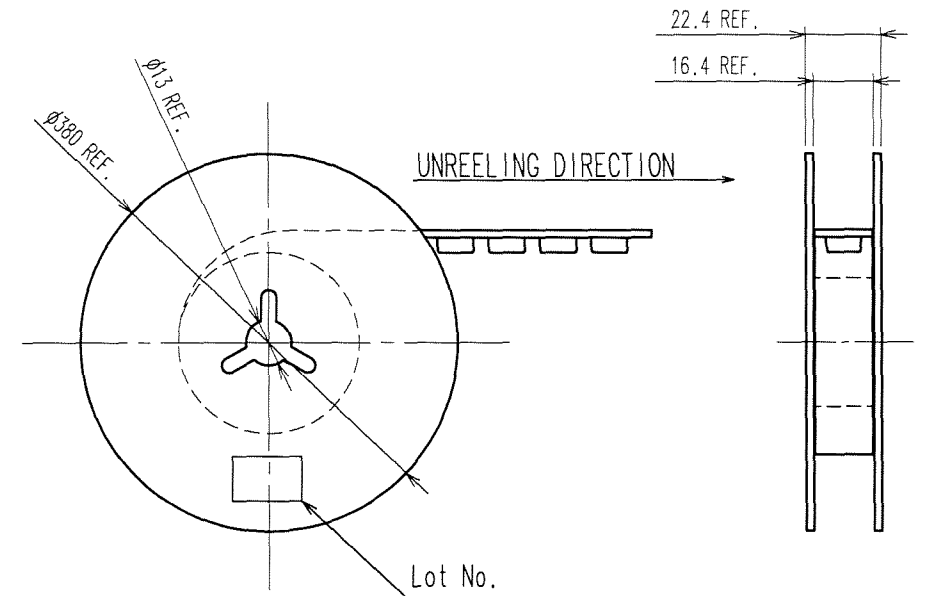
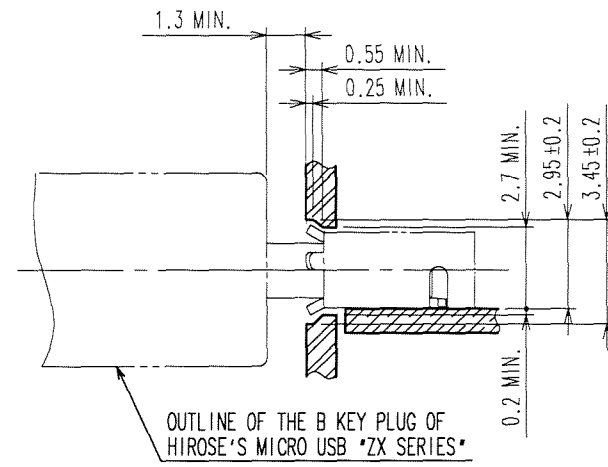
RECOMMENDED PANEL CUTOUT ( 4 : 1 )



DRAWING FOR PACKING (FREE)



MATED WITH CORRESPONDING PLUG ( 4 : 1 )



- NOTES.
- 1 CO-PLANARITY IS WITHIN 0.08mm MAX.
  - 2 PLATING  
CONTACT AREA : GOLD 0.75μm MIN.  
LEAD AREA : GOLD 0.05μm MIN.  
UNDER PLATING: NICKEL 2μm MIN.
  - 3 PER REEL : 2000 pcs.
  4. INTERFACE DIMENSIONS TO USB2.0 SPECIFICATION.
  5. AS FOR PART No.3, THE PERFORMANCE REMAINS GOOD EVEN IF THERE IS A RUBBING WOUND BY THE ASSEMBLY PROCESS.
  6. AS FOR PART No.3, THERE IS NO PROBLEM ON THE QUALITY THOUGH THERE MIGHT BE A DIFFERENCE IN THE COLOR DEPENDING ON THE PLATING PROCESSING LOT.

COUNT	DESCRIPTION OF REVISIONS	BY	CHKD	DATE	COUNT	DESCRIPTION OF REVISIONS	BY	CHKD	DATE

NO.	MATERIAL	FINISH, REMARKS	NO.	MATERIAL	FINISH, REMARKS
2	COPPER ALLOY		5	PE	
1	LCP	BLACK UL94V-0	4	PS	
			3	STAINLESS STEEL	TIN PLATING 1μm Min. LUBRICANT

CODE NO. (OLD)	DRAWN	DESIGNED	CHECKED	APPROVED	RELEASED
	H. Jambon	H. Jambon	K. Chikawa		
	07.07.03	07.07.03	07.07.03	07.07.03	

SCALE	DRAWING NO.	PART NO.
5 : 1	EDC3-126367	ZX62D-B-5P8
mm	HRS HIROSE ELECTRIC CO., LTD	CODE NO. CL242-0034-0