



Chipsmall Limited consists of a professional team with an average of over 10 year of expertise in the distribution of electronic components. Based in Hongkong, we have already established firm and mutual-benefit business relationships with customers from,Europe,America and south Asia,supplying obsolete and hard-to-find components to meet their specific needs.

With the principle of “Quality Parts,Customers Priority,Honest Operation,and Considerate Service”,our business mainly focus on the distribution of electronic components. Line cards we deal with include Microchip,ALPS,ROHM,Xilinx,Pulse,ON,Everlight and Freescale. Main products comprise IC,Modules,Potentiometer,IC Socket,Relay,Connector.Our parts cover such applications as commercial,industrial, and automotives areas.

We are looking forward to setting up business relationship with you and hope to provide you with the best service and solution. Let us make a better world for our industry!



## Contact us

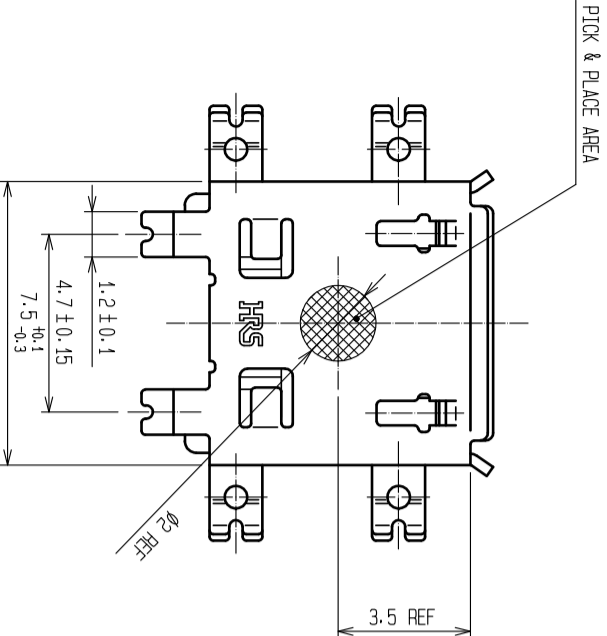
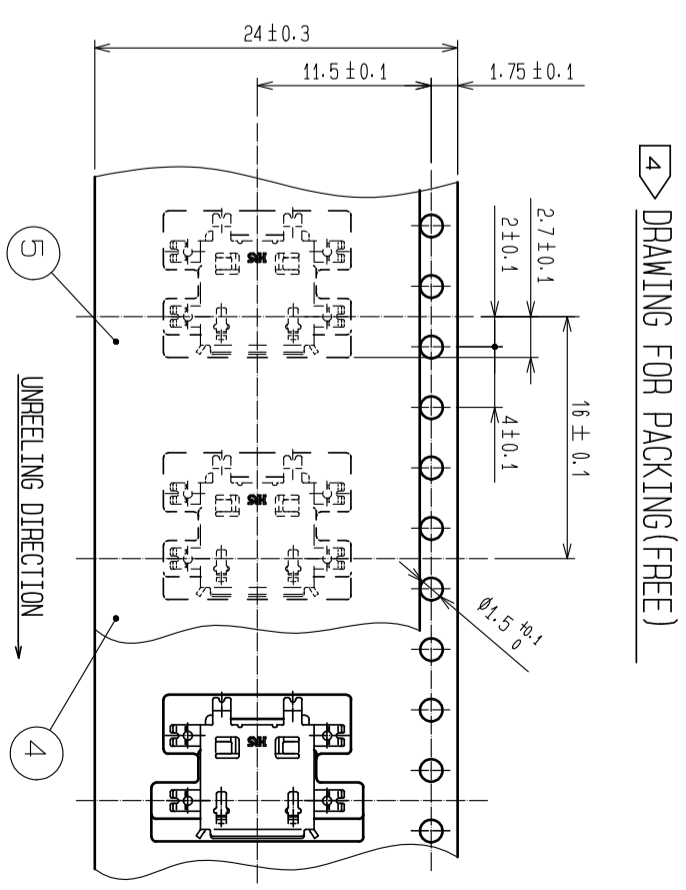
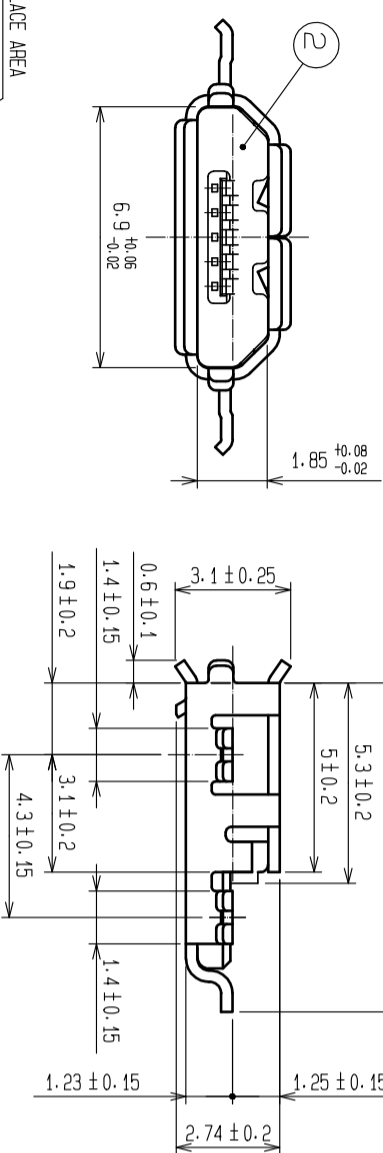
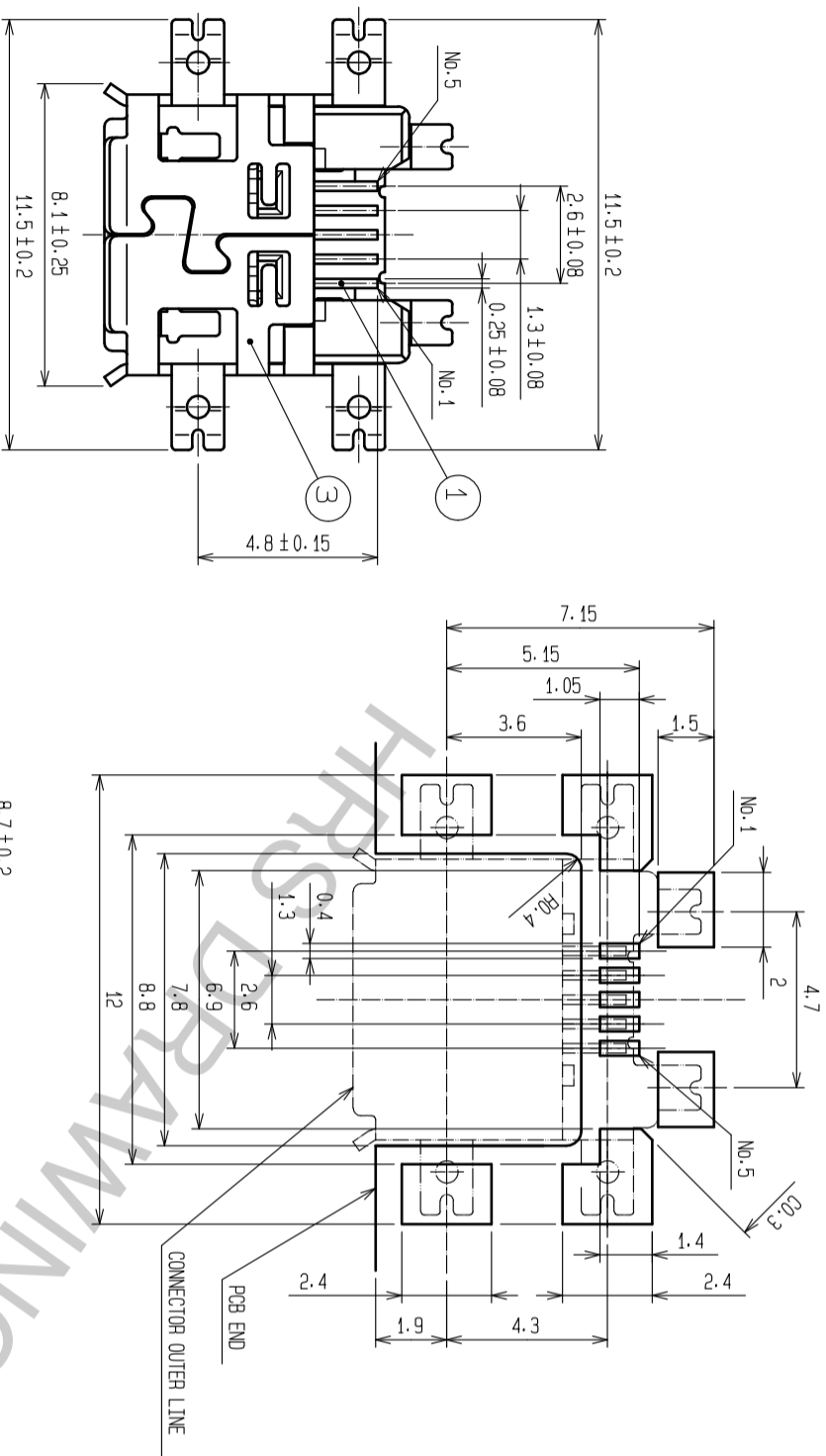
Tel: +86-755-8981 8866 Fax: +86-755-8427 6832

Email & Skype: info@chipsmall.com Web: www.chipsmall.com

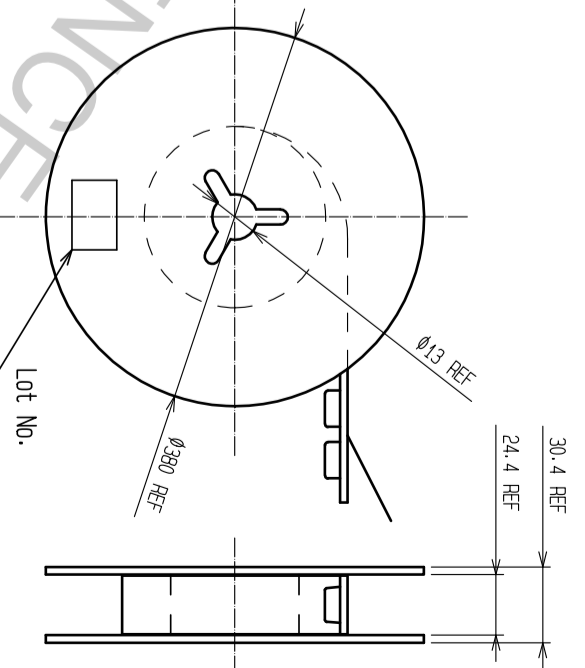
Address: A1208, Overseas Decoration Building, #122 Zhenhua RD., Futian, Shenzhen, China



RECOMMENDED PATTERN



NOTES 1 INTERFACE DIMENSIONS CONFORMS TO MICRO-B RECEPTACLE OF USB STANDARDS.  
2 CO-PLANARITY TO BE 0.08 MAX.  
3 PLATING  
CONTACT AREA : GOLD 0.05µm MIN.  
OVER PALLADIUM NICKEL 0.75µm MIN.  
LEAD AREA : GOLD 0.05µm MIN.  
UNDER PLATING: NICKEL 2µm MIN.  
4 PER REEL : 1500 PCS  
5 AS FOR PART No. 3. THE PERFORMANCE REMAINS GOOD EVEN IF THERE IS A RUBBING WOUND BY THE ASSEMBLY PROCESS. AND THE PERFORMANCE REMAINS GOOD EVEN IF THERE IS A DIFFERENCE OF THE COLOR OF PLATING WITH THE MANUFACTURING LOT.



2	LCP	COLOR BLACK UL94V-0	5	PE	
1	COPPER ALLOY	3	FINISH . REMARKS	4	PS
MATERIAL		NO.		MATERIAL	
SCALE 5 : 1		COUNT		DESCRIPTION OF REVISIONS	
UNITS mm		REMARKS		FINISH . REMARKS	
APPROVED : NM. NISHIMATSU		DESIGNED		DATE	
CHECKED : KN. ICHIKAWA		PART NO.		DRAWING NO.	
DESIGNED : TS. ITO		CODE		EDC-126186-30-00	
DRAWN : AK. AKIYAMA		NO.		Zx62M-B-5P(30)	
		NO.		CL242-0024-7-30	



HIROSE ELECTRIC CO., LTD.