



Chipsmall Limited consists of a professional team with an average of over 10 year of expertise in the distribution of electronic components. Based in Hongkong, we have already established firm and mutual-benefit business relationships with customers from,Europe,America and south Asia,supplying obsolete and hard-to-find components to meet their specific needs.

With the principle of "Quality Parts,Customers Priority,Honest Operation,and Considerate Service",our business mainly focus on the distribution of electronic components. Line cards we deal with include Microchip,ALPS,ROHM,Xilinx,Pulse,ON,Everlight and Freescale. Main products comprise IC,Modules,Potentiometer,IC Socket,Relay,Connector.Our parts cover such applications as commercial,industrial, and automotives areas.

We are looking forward to setting up business relationship with you and hope to provide you with the best service and solution. Let us make a better world for our industry!



Contact us

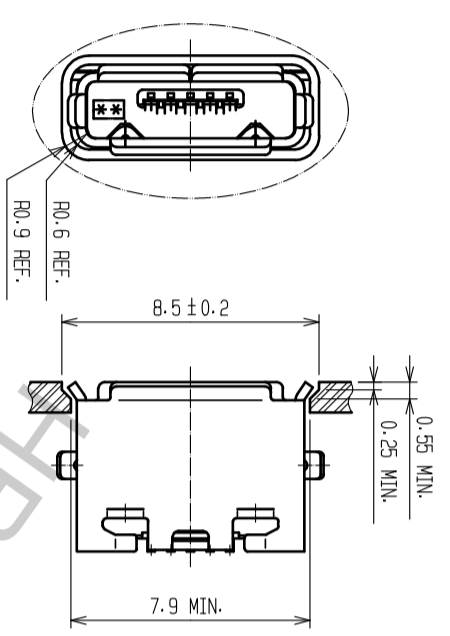
Tel: +86-755-8981 8866 Fax: +86-755-8427 6832

Email & Skype: info@chipsmall.com Web: www.chipsmall.com

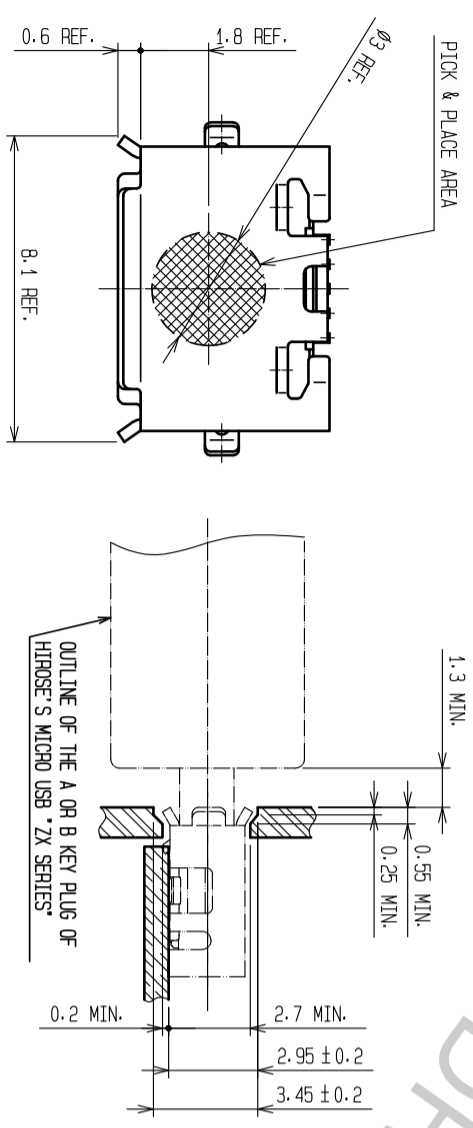
Address: A1208, Overseas Decoration Building, #122 Zhenhua RD., Futian, Shenzhen, China



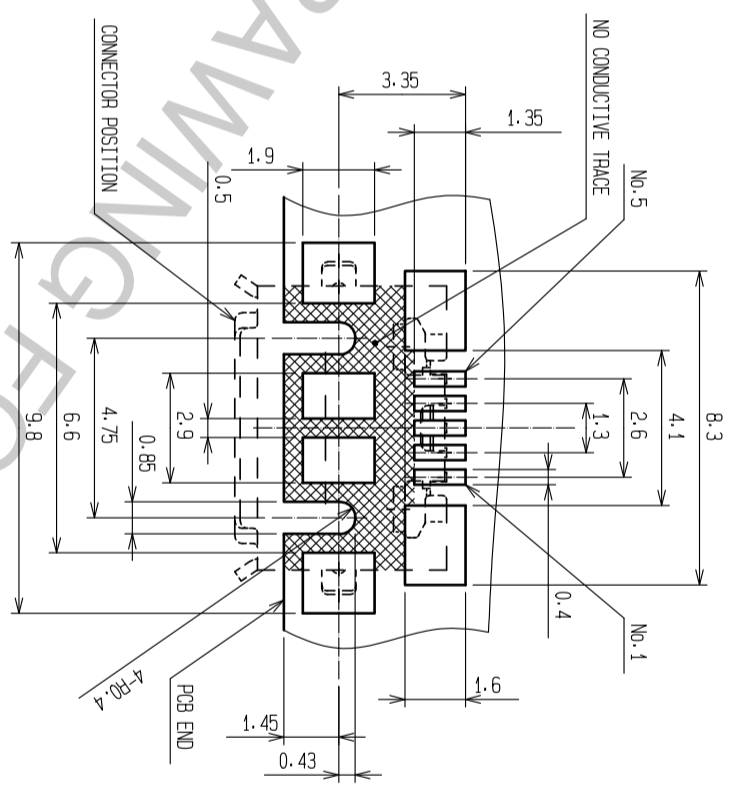
RECOMMENDED PANEL CUTOUT (4:1)



MATED WITH CORRESPONDING PLUG (4:1)

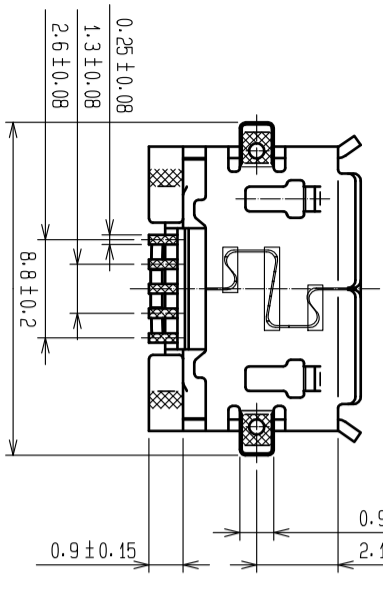
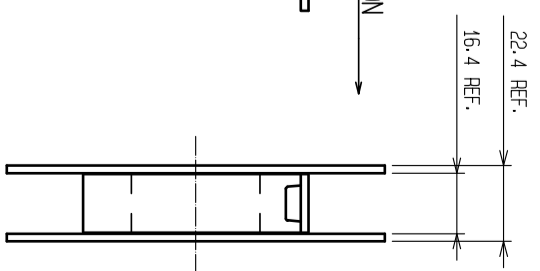
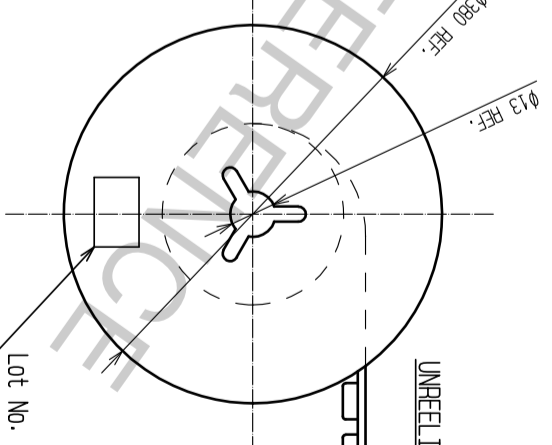
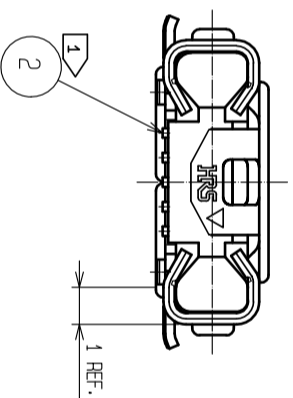
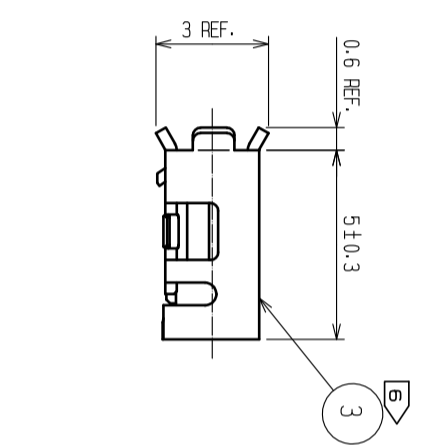
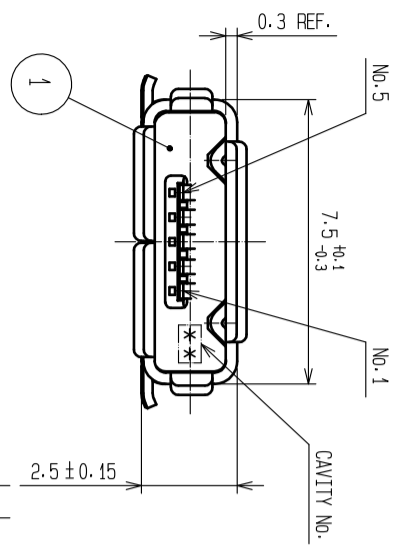
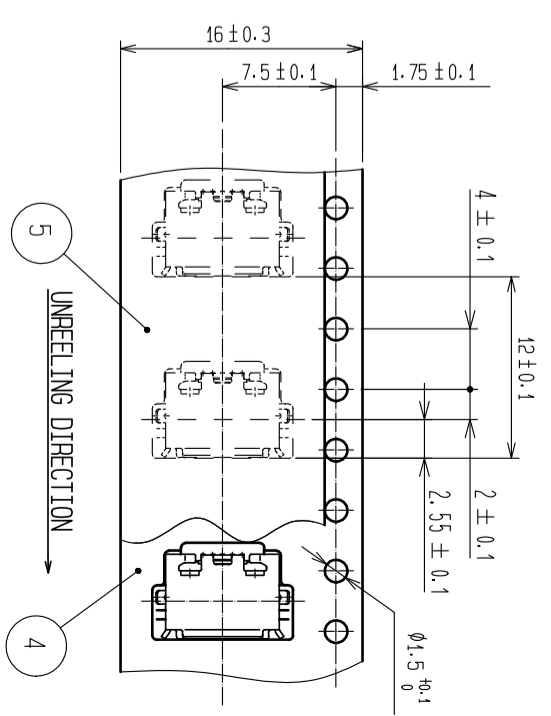


RECOMMENDED PC BOARD PATTERN



GENERAL TOLERANCE IS ±0.05mm

DRAWING FOR PACKING(FREE)



NOTES.

- 1 CO-PLANARITY IS WITHIN 0.08mm MAX.
- 2 PLATING
- 3 CONTACT AREA : GOLD 0.75µm MIN.
LEAD AREA : GOLD 0.05µm MIN.
UNDER PLATING: NICKEL 2µm MIN.
PER REEL : 2000 pcs.
- 4 INTERFACE DIMENSIONS CONFORMS TO USB2.0 SPECIFICATION.
- 5 AS FOR PART No.3, THE PERFORMANCE REMAINS GOOD EVEN IF THERE IS A RUBBING WOUND BY THE ASSEMBLY PROCESS.
- 6 AS FOR PART No.3, THERE IS NO PROBLEM ON THE QUALITY THOUGH THERE MIGHT BE A DIFFERENCE IN THE COLOR DEPENDING ON THE PLATING PROCESSING LOT.

2	COPPER ALLOY	2	GRAY	UL94V-0	5	PE	
1	LCP	2	GRAY	UL94V-0	4	PS	
NO.	MATERIAL	FINISH	REMARKS	NO.	MATERIAL	FINISH	REMARKS
UNITS	SCALE	COUNT	DESCRIPTION OF REVISIONS	DESIGNED	CHECKED	DATE	
mm	5 : 1						
Approved : NM. NISHIMATSU		15.10.27		DRAWING NO.		EDC-126373-30-00	
Checked : KN. ICHIKAWA		15.10.27		PART NO.		ZX62R-AB-5P(30)	
Designed : TS. ITO		15.10.27		CODE		CL242-0035-3-30	
DRAWN : AK. AKIYAMA		15.10.27		NO.			

