



Chipsmall Limited consists of a professional team with an average of over 10 year of expertise in the distribution of electronic components. Based in Hongkong, we have already established firm and mutual-benefit business relationships with customers from,Europe,America and south Asia,supplying obsolete and hard-to-find components to meet their specific needs.

With the principle of “Quality Parts,Customers Priority,Honest Operation,and Considerate Service”,our business mainly focus on the distribution of electronic components. Line cards we deal with include Microchip,ALPS,ROHM,Xilinx,Pulse,ON,Everlight and Freescale. Main products comprise IC,Modules,Potentiometer,IC Socket,Relay,Connector.Our parts cover such applications as commercial,industrial, and automotives areas.

We are looking forward to setting up business relationship with you and hope to provide you with the best service and solution. Let us make a better world for our industry!



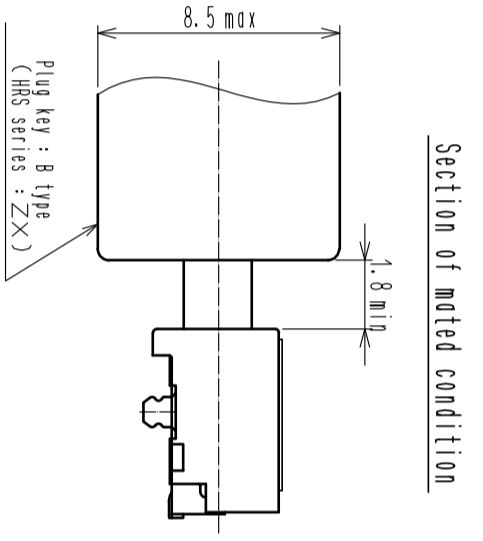
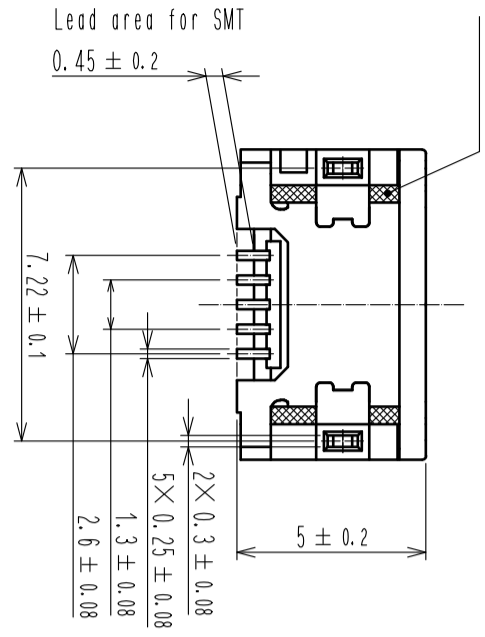
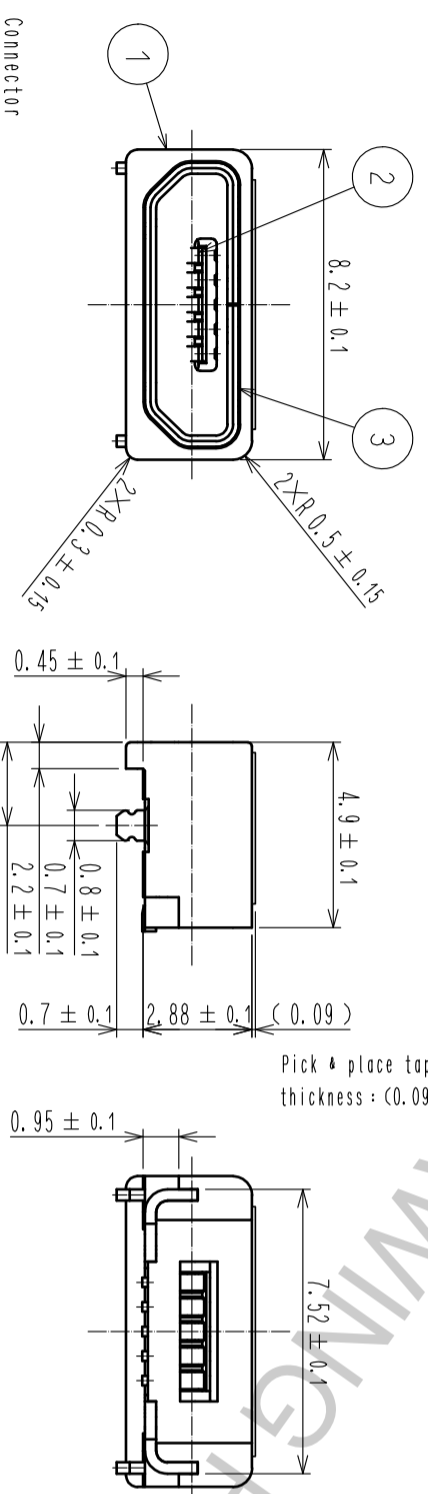
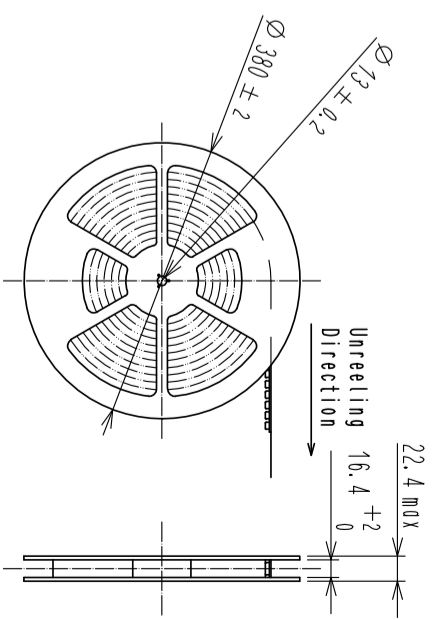
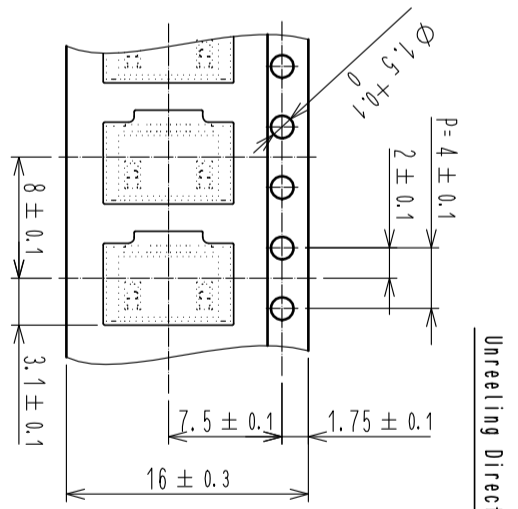
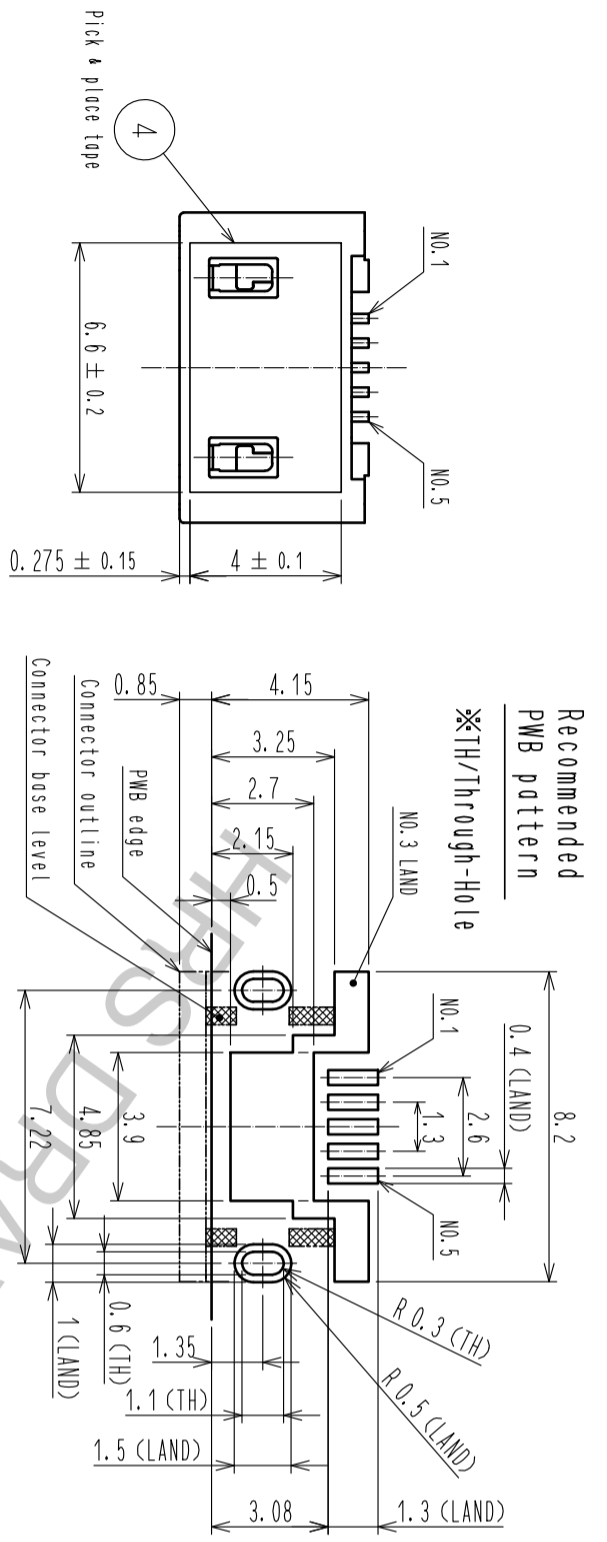
Contact us

Tel: +86-755-8981 8866 Fax: +86-755-8427 6832

Email & Skype: info@chipsmall.com Web: www.chipsmall.com

Address: A1208, Overseas Decoration Building, #122 Zhenhua RD., Futian, Shenzhen, China





Remark) 1. Co-planarity is within 0.08mm
 2. Plating
 Contact area: Palladium-Nickel 0.75um MIN + Gold 0.05um MIN
 Lead area: Gold 0.05um MIN
 Under plating: Nickel 2um MIN
 3. Opening area shape: Conform to USB2.0 standard
 4. Per reel: 3000 pcs

3	Stainless-Steel	Gold 0.01µm min (Selective mating and soldering area)	6	PE	Top cover tape
2	Copper-Alloy	Lubricant	5	PS	Embossed carrier tape
1	LCP	Black UL94V-0	4	PI	Pick & place tape
MATERIAL		FINISH . REMARKS	NO. MATERIAL		FINISH . REMARKS
UNITS	SCALE	COUNT	DESCRIPTION OF REVISIONS	DESIGNED	CHECKED
mm	5 : 1	1	DIS-E-00000909	TY. MURA	NM. NISHIMATSU
APPROVED : RI. TAKAYASU		11.06.20		DRAWING	
CHECKED : TA. ASO		11.06.20		EDC3-126992-02	
DESIGNED : WR. YAMADA		11.06.20		PART	
DRAWN : WR. YAMADA		11.06.20		NO. ZX62WD1-B-5PC	
HRS		HIROSE ELECTRIC CO., LTD.		CODE	
				CL242-0121-3-00	
				DATE	
				17.03.24	