



Chipsmall Limited consists of a professional team with an average of over 10 year of expertise in the distribution of electronic components. Based in Hongkong, we have already established firm and mutual-benefit business relationships with customers from,Europe,America and south Asia,supplying obsolete and hard-to-find components to meet their specific needs.

With the principle of "Quality Parts,Customers Priority,Honest Operation,and Considerate Service",our business mainly focus on the distribution of electronic components. Line cards we deal with include Microchip,ALPS,ROHM,Xilinx,Pulse,ON,Everlight and Freescale. Main products comprise IC,Modules,Potentiometer,IC Socket,Relay,Connector.Our parts cover such applications as commercial,industrial, and automotives areas.

We are looking forward to setting up business relationship with you and hope to provide you with the best service and solution. Let us make a better world for our industry!



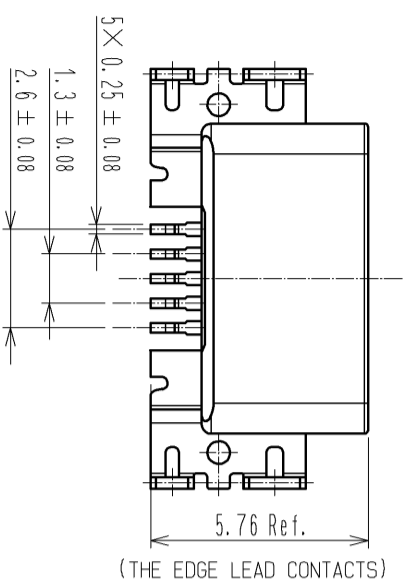
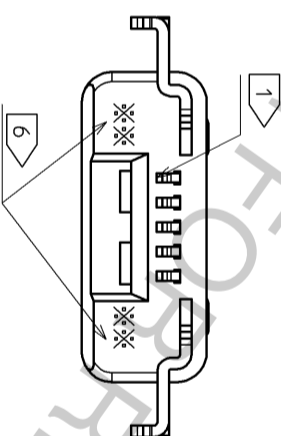
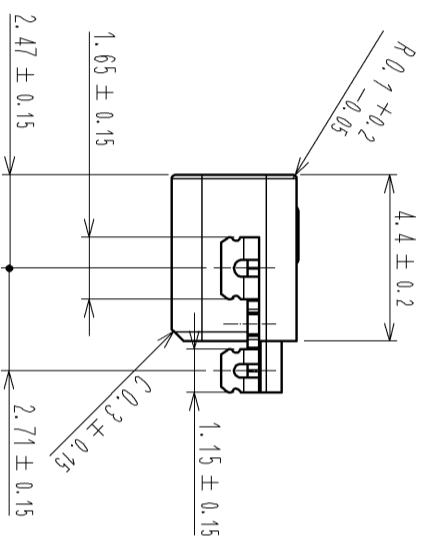
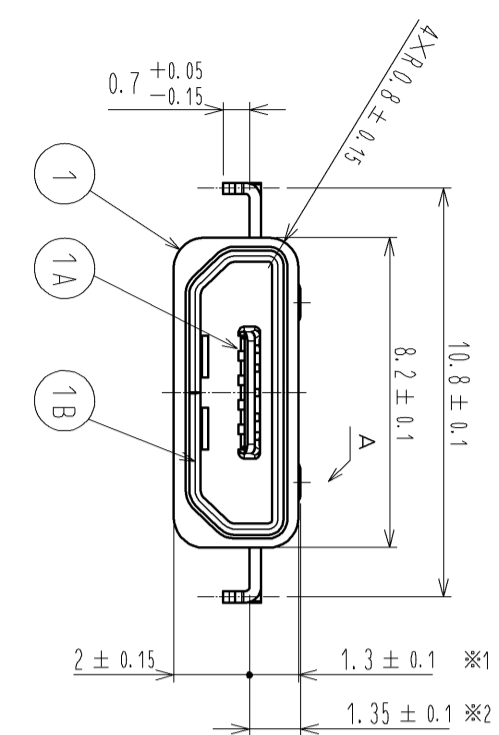
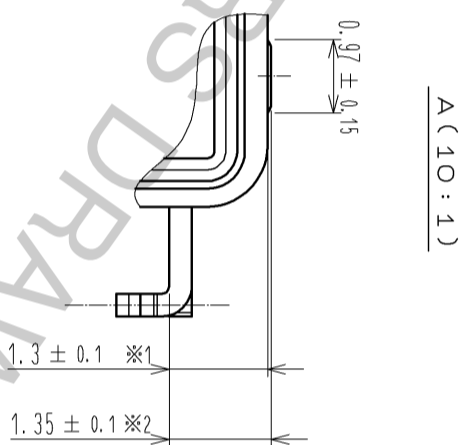
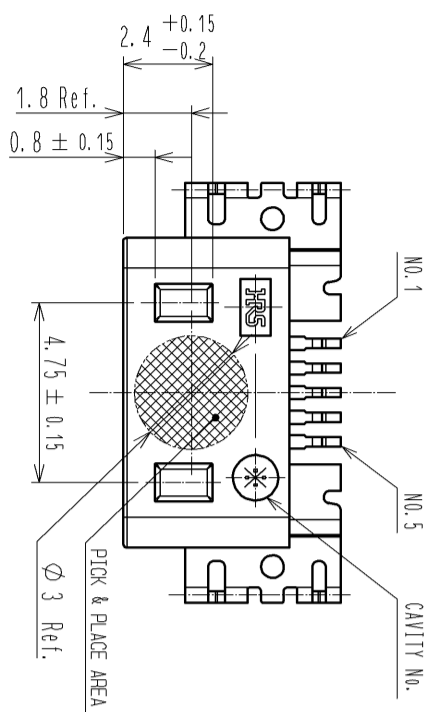
## Contact us

Tel: +86-755-8981 8866 Fax: +86-755-8427 6832

Email & Skype: info@chipsmall.com Web: www.chipsmall.com

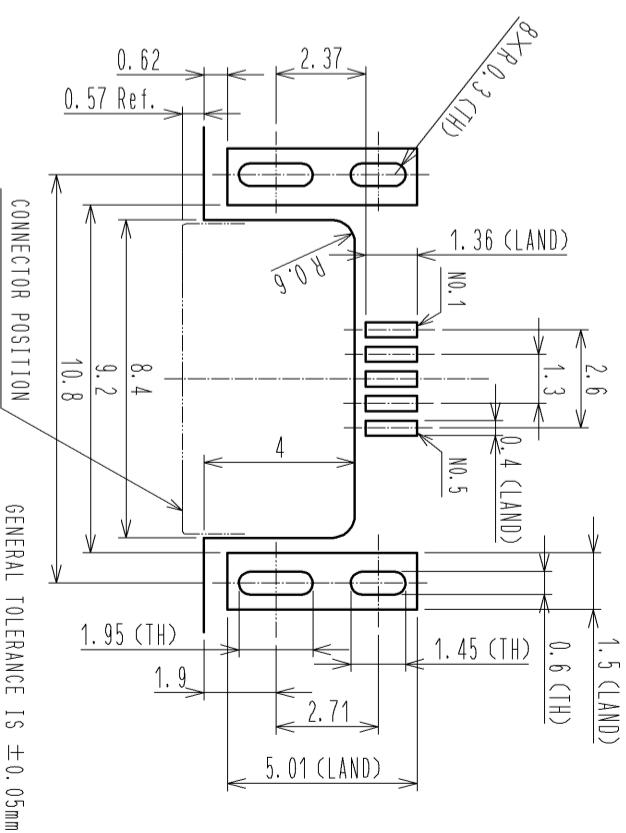
Address: A1208, Overseas Decoration Building, #122 Zhenhua RD., Futian, Shenzhen, China





PCB BOARD PATTERN FOR REFERENCE(FREE)

※TH/Through-Hole



NOTES.

- 1 CO-PLANARITY IS 0.08mm MAX.
- 2 PLATING
- 3 CONTACT AREA : GOLD 0.05µm MIN OVER PALLADIUM NICKEL 0.75µm MIN.  
LEAD AREA : GOLD 0.05µm MIN.  
UNDER PLATING: NICKEL 2µm MIN.  
PER REEL : 3000 pcs.
- 4 INTERFACE DIMENSIONS TO USB2.0 SPECIFICATION.
- 5 AS FOR PART 1B, THE PERFORMANCE REMAINS GOOD EVEN IF THERE IS A RUBBING WOUND BY THE ASSEMBLY PROCESS.
- 6 CODE CONFIGURATION IS SHOWN IN FIG. 1.

1B	STAINLESS-STEEL	GOLD 0.01µm MIN. (SELECTIVE MATING AND SOLDERING AREA) LUBRICANT					
1A	BRASS						
1	LCP	BLACK	UL94V-0	2	PS		
NO.	MATERIAL	FINISH	REMARKS	NO.	MATERIAL	FINISH	REMARKS
UNITS	mm	SCALE	5 : 1	COUNT	DESCRIPTION OF REVISIONS	DESIGNED	CHECKED
							DATE

APPROVED	: R.I. TAKAYASU	13.03.07	DRAWING	EDC3-127834-03
CHECKED	: NM. NISHIMATSU	13.03.07	PART	ZX62WMD2-B-5PC
DESIGNED	: KO. KAWAMURA	13.03.07	CODE	
DRAWN	: KG. OKITA	13.03.07	NO.	CL242-0073-2-00

MATED WITH CORRESPONDING PLUG(4:1)

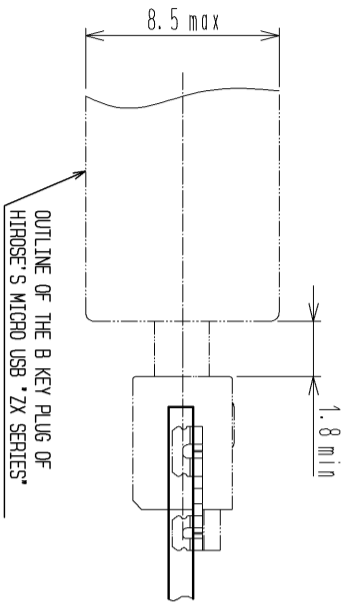
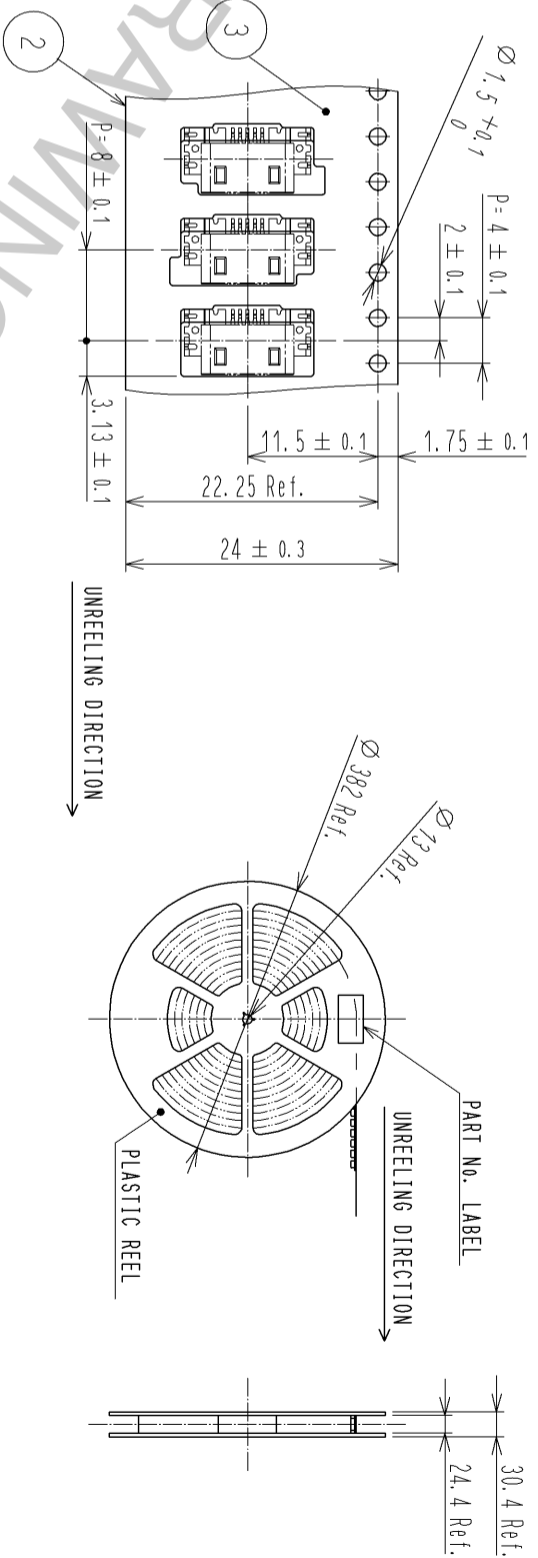


FIG. 1. CODE CONFIGURATION FOR 4 DIGITS

Year	Month			Day						Line No.	
	Symbol	Month	Day	Symbol	Day	Symbol	Day	Symbol	Day	Symbol	Line No.
2011	1	Jan.	A	1	1	11	8	21	M	1	A
2012	2	Feb.	B	2	2	12	C	22	N	2	B
2013	3	Mar.	C	3	3	13	D	23	P	3	C
2014	4	Apr.	D	4	4	14	E	24	Q	4	D
2015	5	May.	E	5	5	15	F	25	R	5	E
2016	6	Jun.	F	6	6	16	G	26	S	6	F
2017	7	Jul.	G	7	7	17	H	27	T	7	G
2018	8	Aug.	H	8	8	18	J	28	U	8	H
2019	9	Sep.	I	9	9	19	K	29	V	9	I
2020	0	Oct.	J	10	A	20	L	30	W	10	J
		Nov.	K					31	X		
		Dec.	L								

DRAWING FOR PACKING(FREE)



HIRS DRAWING FOR REFERENCE

FORM HCO011-5-8

<b>HIRS</b>	DRAWING NO.	EDC3-127834-03
	PART NO.	ZX62WMD2-B-5PC
	CODE NO.	CL242-0073-2-00
		2/2