



Chipsmall Limited consists of a professional team with an average of over 10 year of expertise in the distribution of electronic components. Based in Hongkong, we have already established firm and mutual-benefit business relationships with customers from,Europe,America and south Asia,supplying obsolete and hard-to-find components to meet their specific needs.

With the principle of “Quality Parts,Customers Priority,Honest Operation,and Considerate Service”,our business mainly focus on the distribution of electronic components. Line cards we deal with include Microchip,ALPS,ROHM,Xilinx,Pulse,ON,Everlight and Freescale. Main products comprise IC,Modules,Potentiometer,IC Socket,Relay,Connector.Our parts cover such applications as commercial,industrial, and automotives areas.

We are looking forward to setting up business relationship with you and hope to provide you with the best service and solution. Let us make a better world for our industry!



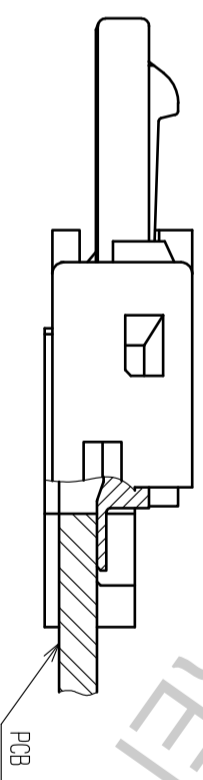
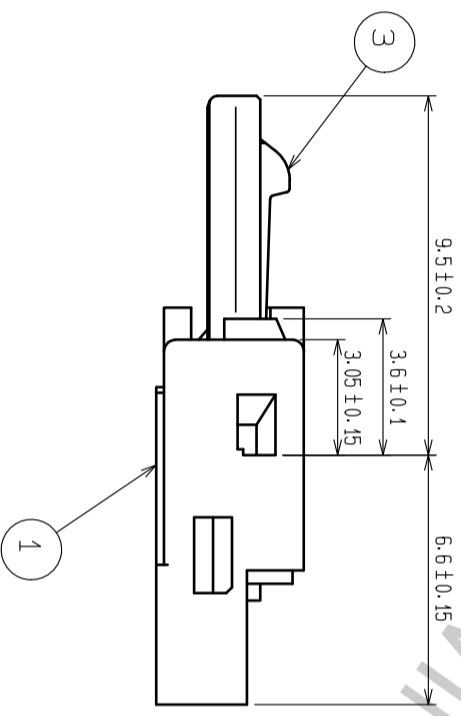
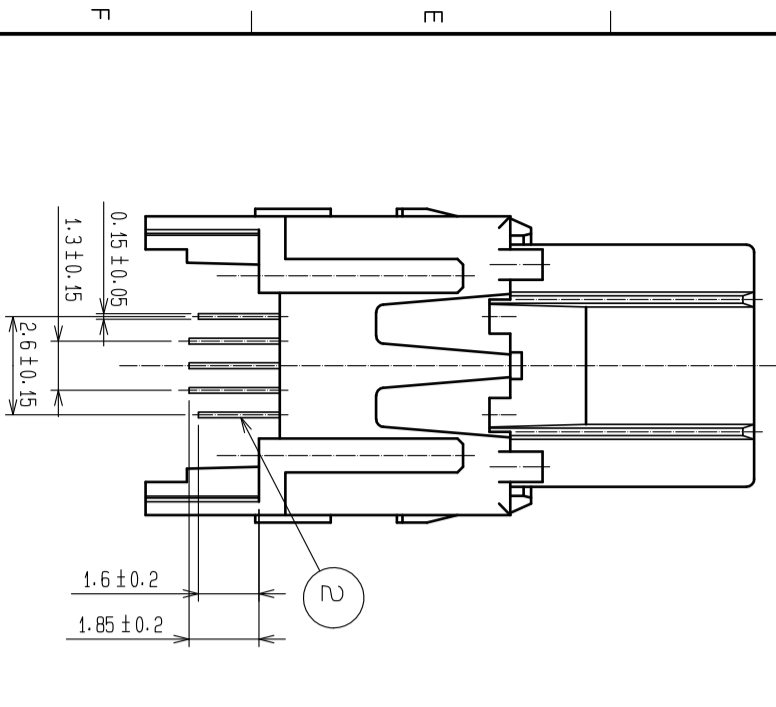
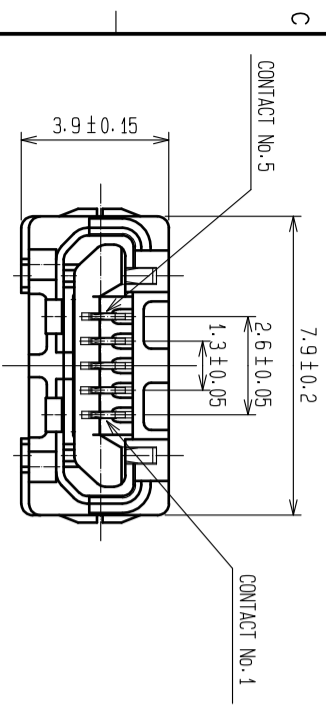
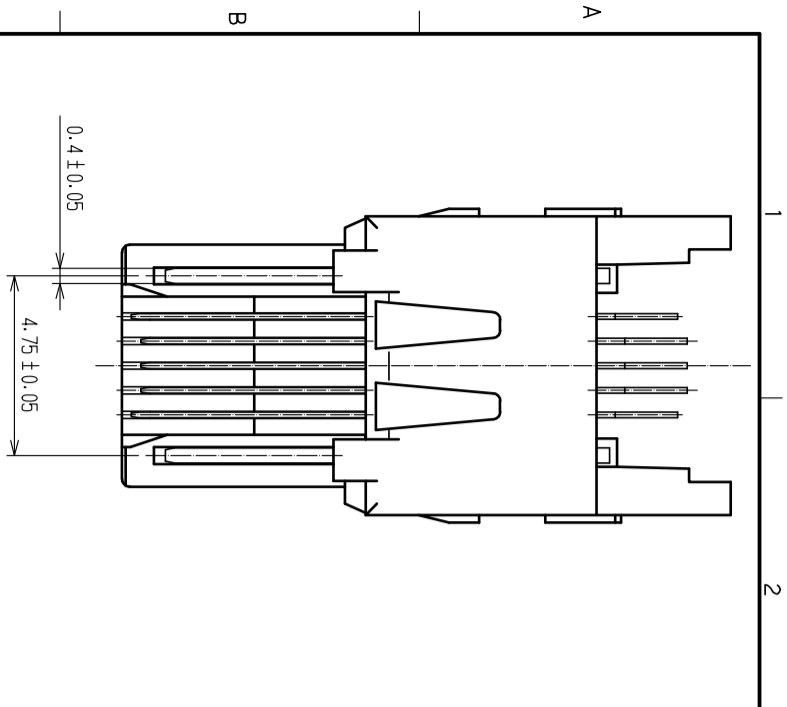
Contact us

Tel: +86-755-8981 8866 Fax: +86-755-8427 6832

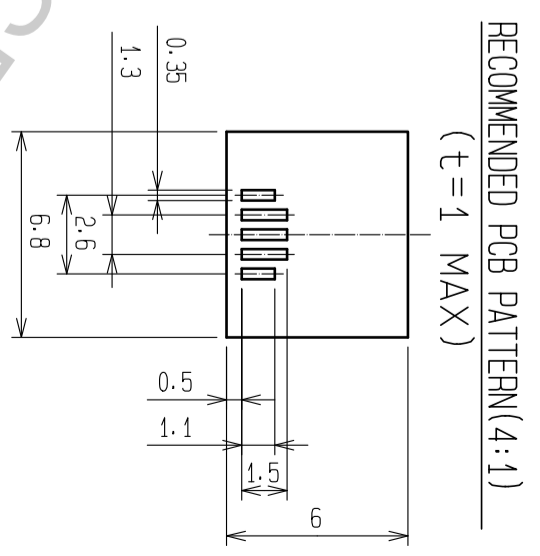
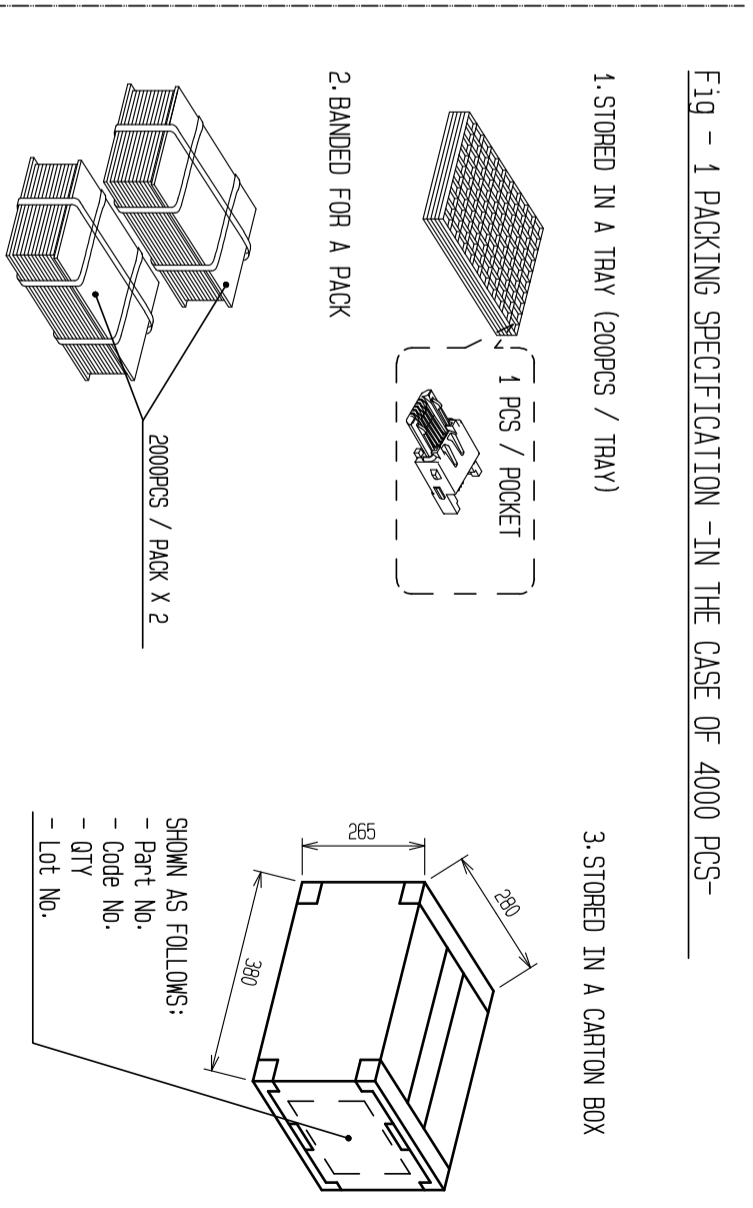
Email & Skype: info@chipsmall.com Web: www.chipsmall.com

Address: A1208, Overseas Decoration Building, #122 Zhenhua RD., Futian, Shenzhen, China





NOTE 1 CONTACT CO-PLANARITY TO BE 0.1 MAX.
2. PLEASE REFER TO THE ASSEMBLY MANUAL, ATAD-E2703, FOR DETAIL.



NO.	1	POLYAMIDE	BLACK UL94V-0	FINISH . REMARKS	NO.	3	STAINLESS STEEL	FINISH . REMARKS
2	COPPER ALLOY	UNDER PLATING: NICKEL 2.4μm MIN. CONTACT AREA: GOLD 0.75μm MIN. LEAD AREA: TIN 1.4μm MIN.						
UNITS	mm	SCALE	5 : 1	COUNT	DESCRIPTION OF REVISIONS	DESIGNED	CHECKED	DATE
HRS		HIROSE ELECTRIC CO., LTD.		APPROVED : NM. NISHIMATSU		EDC-125961-31-00		
		CHECKED : KN. ICHIKAWA		DESIGNED : TS. ITO		Zx64-B-5S-UNIT(31)		
		DRAWN : AK. AKIYAMA		15.10.27		CL242-0009-3-31		

Fig - 2 SHIELDING-PLATE ASSEMBLY

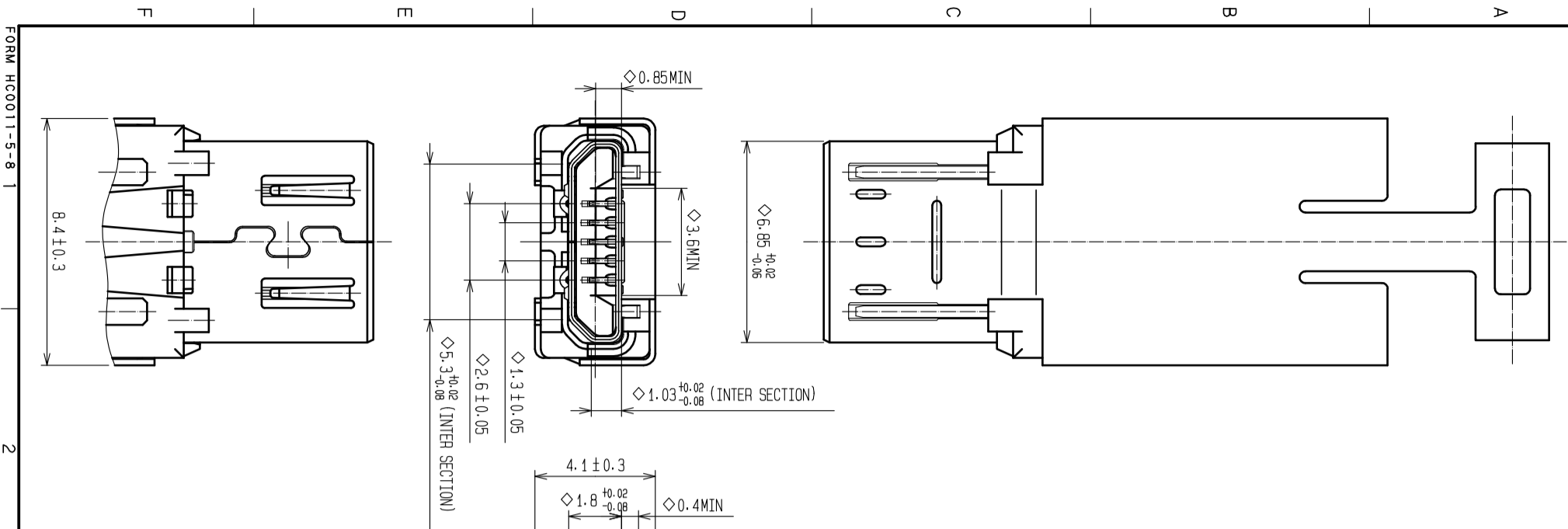
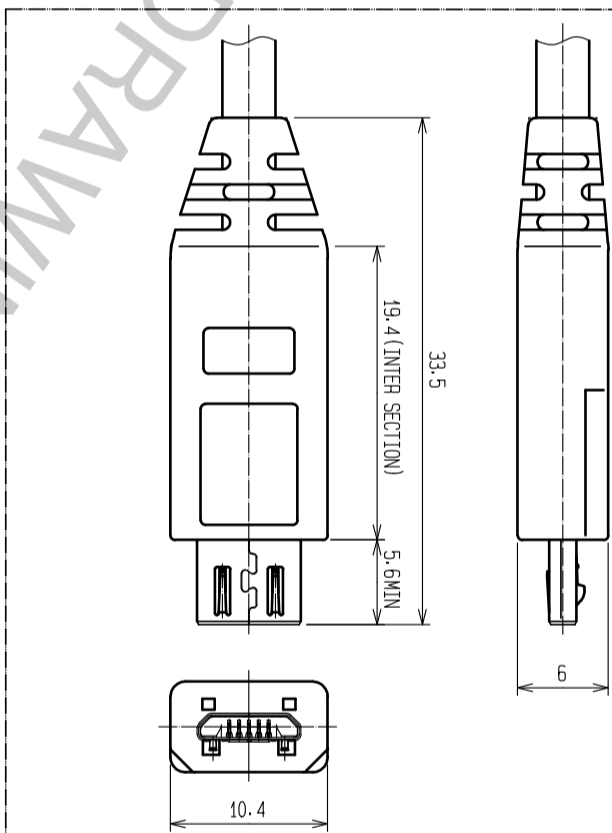
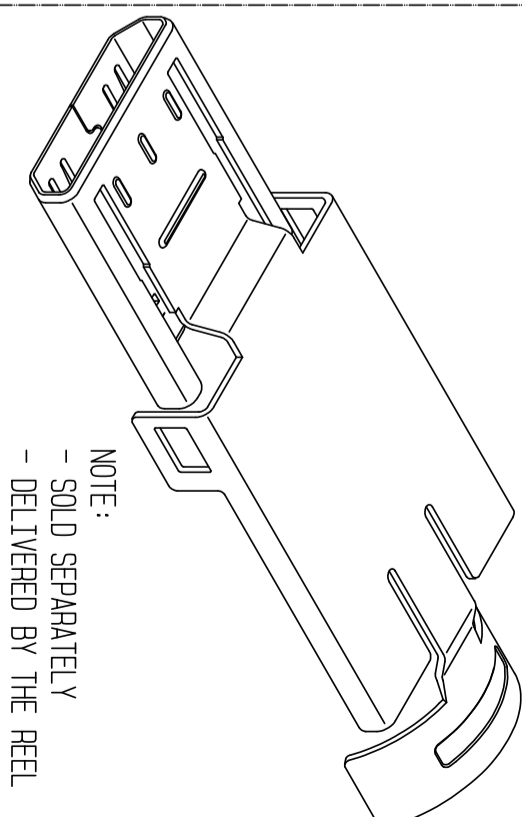


Fig - 3 OVER-MOLDING(REFERENCE)



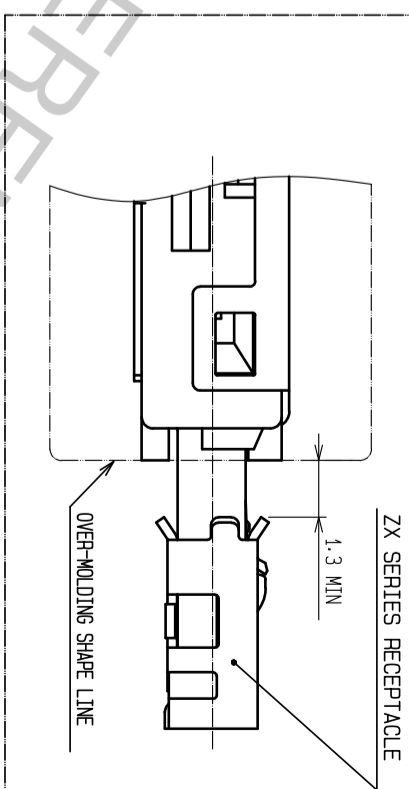
ZX64-B-SLDA

CODE : CL242-0013-0



NOTE:
- SOLD SEPARATELY
- DELIVERED BY THE REEL

Fig - 4 MATED CONDITION



NOTES
3 SHIELDING-PLATES, ZX64-B-SLDA ARE USED FOR ASSEMBLY.
4 * ϕ SYMBOL ADDED TO EACH DIMENSION MEANS CRITICAL DIMENSION ON USB SPECIFICATION.
PLEASE CHECK THEM AFTER OVER-MOLDING.

HRS	
DRAWING NO.	EDC-125961-31-00
PART NO.	ZX64-B-5S-UNIT(31)
CODE	CL242-0009-3-31
NO.	2