



Chipsmall Limited consists of a professional team with an average of over 10 year of expertise in the distribution of electronic components. Based in Hongkong, we have already established firm and mutual-benefit business relationships with customers from,Europe,America and south Asia,supplying obsolete and hard-to-find components to meet their specific needs.

With the principle of "Quality Parts,Customers Priority,Honest Operation,and Considerate Service",our business mainly focus on the distribution of electronic components. Line cards we deal with include Microchip,ALPS,ROHM,Xilinx,Pulse,ON,Everlight and Freescale. Main products comprise IC,Modules,Potentiometer,IC Socket,Relay,Connector.Our parts cover such applications as commercial,industrial, and automotives areas.

We are looking forward to setting up business relationship with you and hope to provide you with the best service and solution. Let us make a better world for our industry!



Contact us

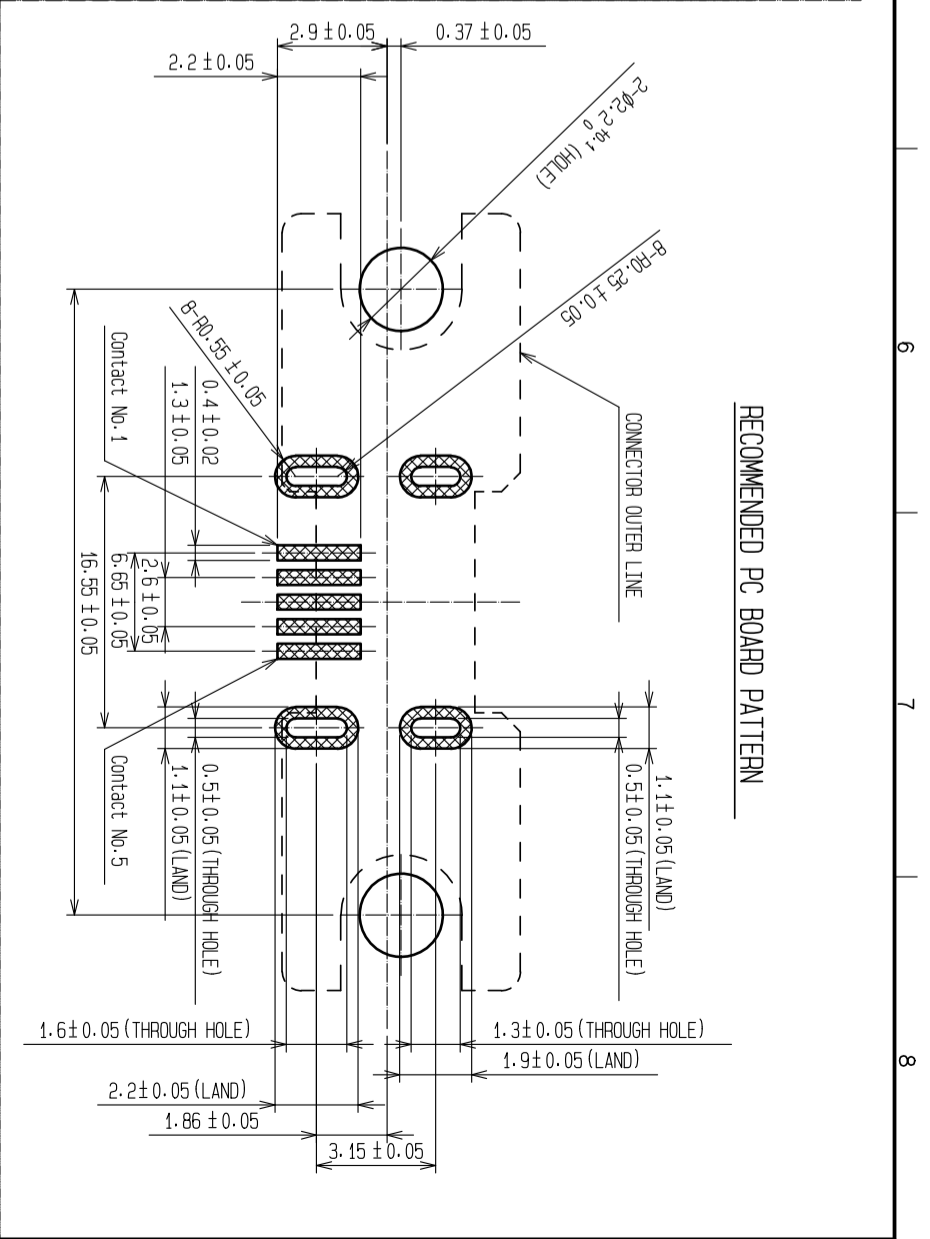
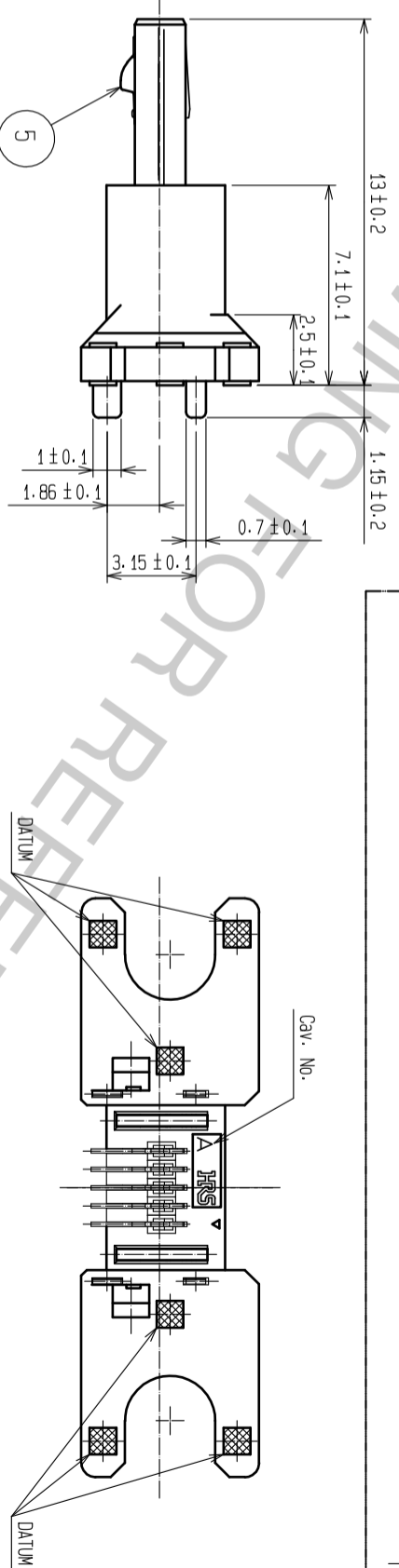
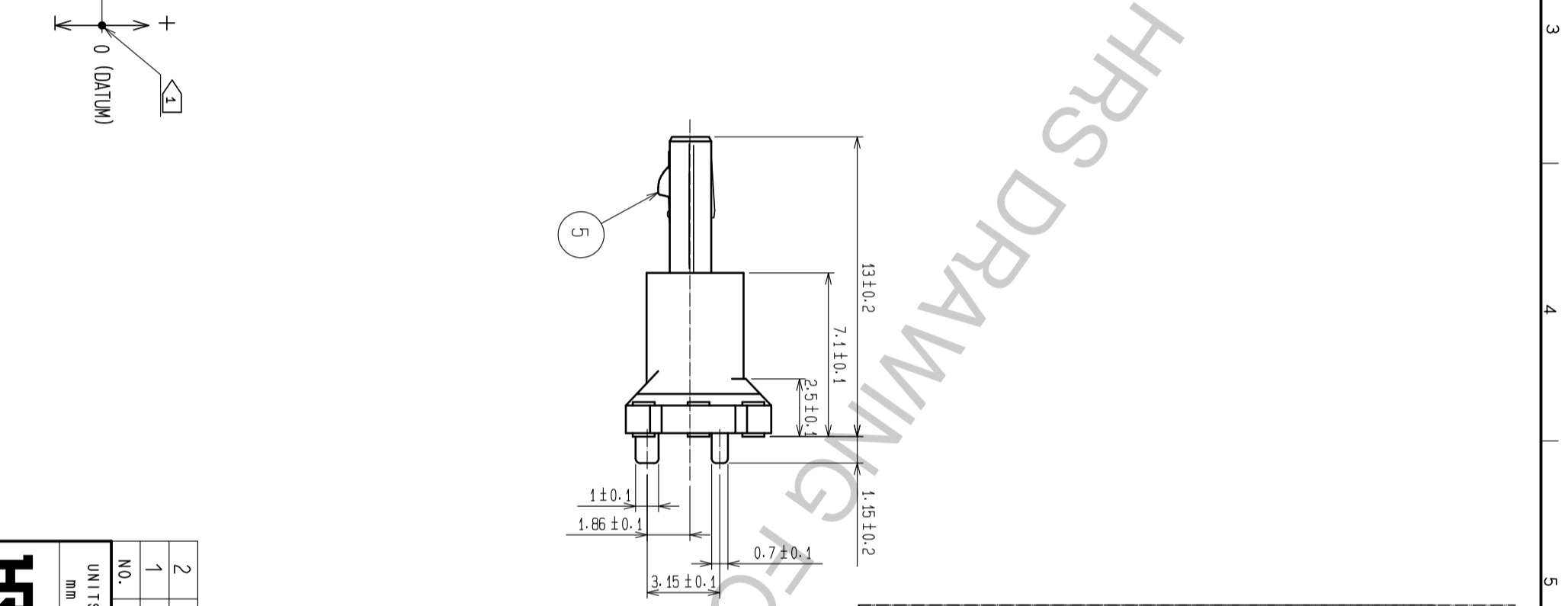
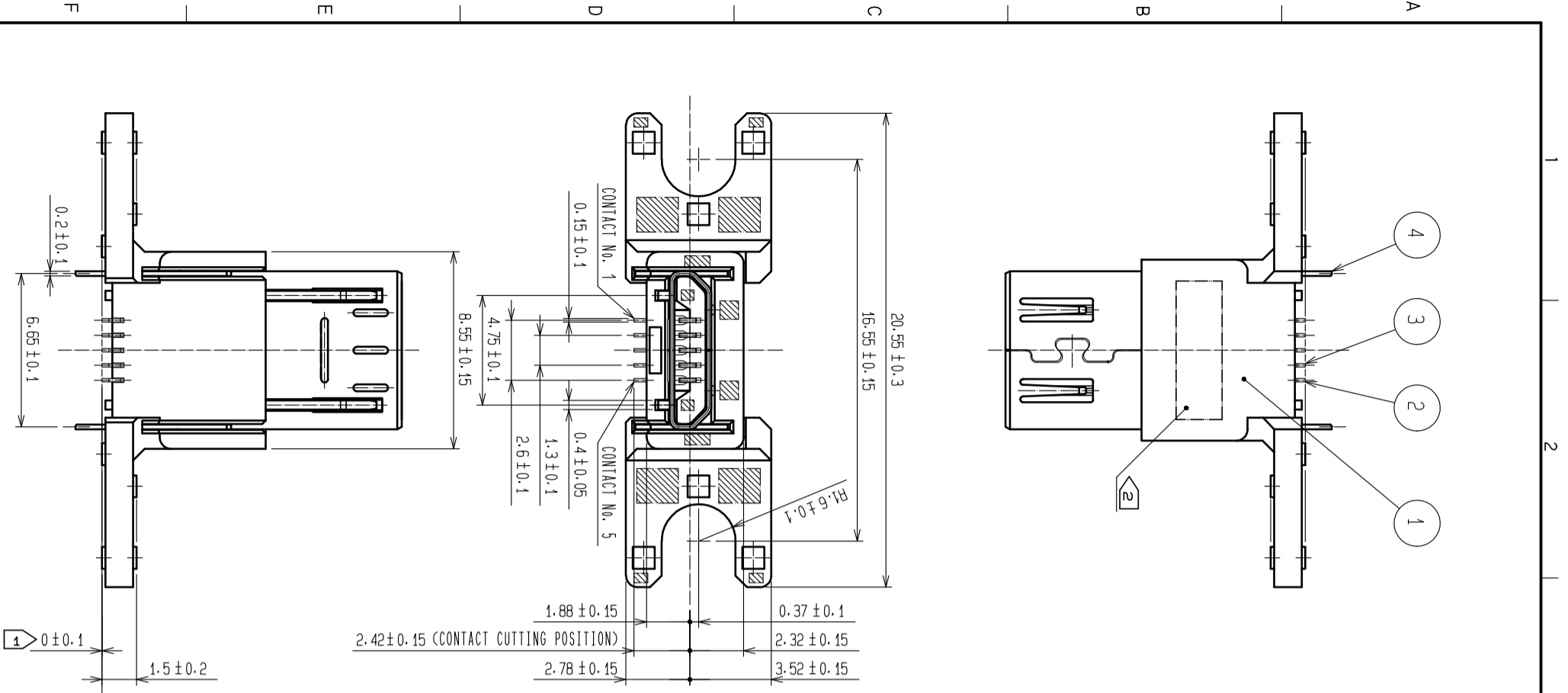
Tel: +86-755-8981 8866 Fax: +86-755-8427 6832

Email & Skype: info@chipsmall.com Web: www.chipsmall.com

Address: A1208, Overseas Decoration Building, #122 Zhenhua RD., Futian, Shenzhen, China



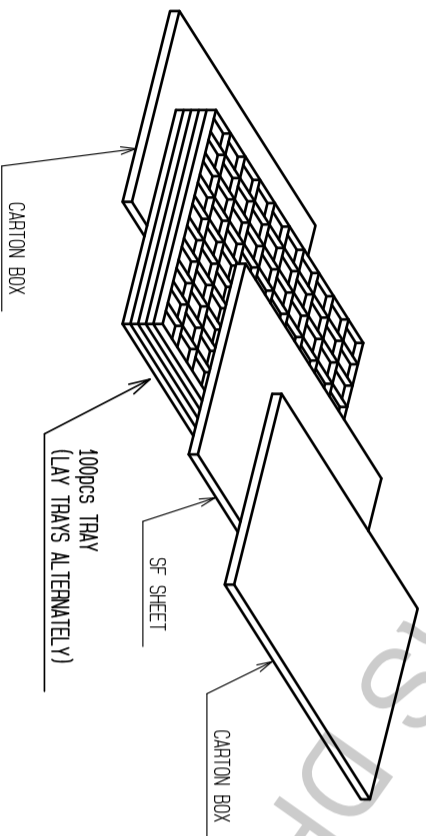
FORM HC0011-5-7 1 2 3 4 5 6 7 8



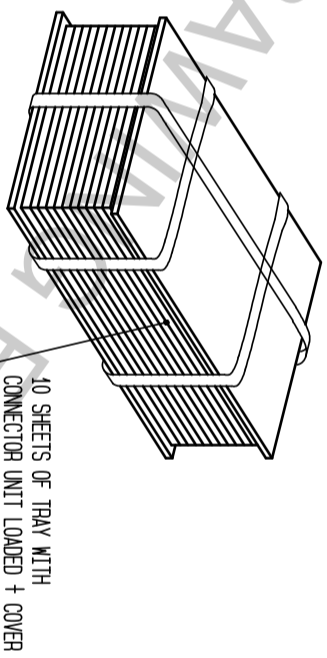
2 COPPER ALLOY		5		5 STAINLESS STEEL	
1 POLYAMIDE OR LCP		BLACK UL94V-0		4 STAINLESS STEEL	
MATERIAL		FINISH . REMARKS		3 COPPER ALLOY	
NO.		NO.		MATERIAL	
UNITS		COUNT		DESCRIPTION OF REVISIONS	
mm		4 : 1		DESIGNED	
HRS		HIROSE ELECTRIC CO., LTD.		CHECKED	
APPROVED : NM. NISHIMATSU		DESIGNED : TS. ITO		DATE	
DRAWN : AK. AKIYAMA		CHECKED : KN. ICHIKAWA		DRAWING NO.	
		DESIGNED : TS. ITO		PART NO.	
		DRAWN : AK. AKIYAMA		CODE NO.	
				EDC-126102-30-00	
				ZX80-B-5S(30)	
				C1242-0017-1-30	

3 FIG-2 DRAWING FOR PACKING(AT 2000 PCS PACKING.)
 THIS IS ONE EXAMPLE OF PACKING METHOD, AND IT MAY CHANGE WITHOUT
 ANY NOTICE, DEPENDING ON VOLUME.

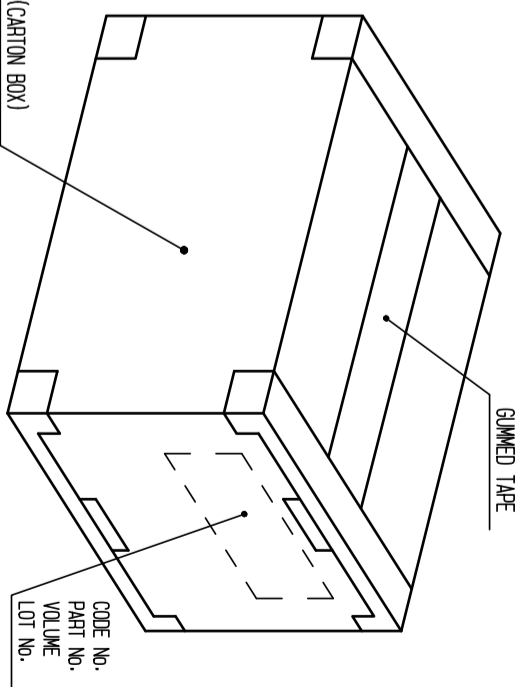
1. STORE CONNECTORS IN A TRAY.



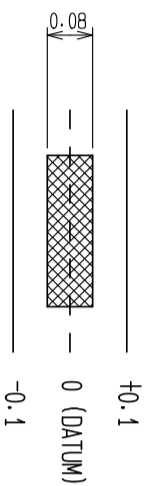
2. BAND TRAYS AS SHOWN BELOW.



3. STORE 2 UNITS OF BANDED TRAY INTO A CARTON BOX(K-1)
 (STORE A BOUNDARY PLATE ON TOP OF THE SURFACE, THEN CLOSE
 THE BOX BY STICKING GUMMED TAPE IN FOUR PARTS)



NOTES. 1 DIMENSIONS OF SMT RANGE AND CO-PLANARITY ARE AS SHOWN BELOW.



- 2 LOT No. SHALL BE INDICATED AT THE POSITION AS SHOWN.
- 3 THIS PRODUCT IS TRAY PACKING, AND 100 CONNECTORS FOR EACH TRAY. MINIMUM ORDER QUANTITY WILL BE 100 PCS PER UNIT.
- 4 THE SHADED AREAS SHOW LOCATIONS OF EJECTOR PINS. PLATING
- 5 CONTACT AREA : GOLD 0.75µm MIN.
 READ AREA : GOLD 0.03µm MIN.
 UNDER PLATING: NICKEL 2µm MIN.

DRAWING NO.	EDC-126102-30-00
PART NO.	ZX80-B-5S(30)
CODE NO.	CL242-0017-1-30

